

PIZZA OVENS

INSTRUCTION FOR INSTALLATION AND USE  
DIE GEBRAUCHS UND INSTALLATIONSANWEISUNG  
NOTICE D'INSTALLATION ET D'EMPLOI  
INSTRUCTIE VOOR INSTALLATIE EN GEBRUIK  
NÁVOD K OBSLUZE A INSTALACI  
INSTRUKCJE MONTAŻU I OBSŁUGI  
BRUGS- OG MONTERINGSVEJLEDNING  
UPUTSTVO ZA INSTALACIJU I UPOTREBU  
GHID DE INSTALARE SI UTILIZARE  
ИНСТРУКЦИИ ПО ИСПОЛЬЗОВАНИЮ И УСТАНОВКЕ



E 4, E 6, E 6 L, E 8, E 9, E 12, E 12 L, E 18, E 4/50, E 8/50





## CONTENT

Declaration of a standards conformity	3
Instruction for use	6
Cleaning and maintenance	7

## INHALT



Die Normenübereinstimmungsdeklaration	8
Gebrauchsanweisung	12
Die Reinigung und Instandhaltung	13

## CONTENU



Déclaration de conformité	14
Mode d'emploi	17
Nettoyage et entretien	18

## INHOUD



De verklaring van overeenstemming met de normen	19
Gebruiksaanwijzing	24
Reiniging en onderhoud	25

## OBSAH



Prohlášení o souladu s normami	39
Návod k použití	42
Čistění a údržba	45

## TREŚĆ



Oświadczenie o zgodności z normami	52
Instrukcja obsługi	55
Czyszczenie i konserwacja	58

## BRUGERVEJLEDNING



Erklæring om standard kompatibilitet	64
Brugsvejledning	67
Rensning og vedligeholdelse	69

## SADRŽAJ



Izjava o saglasnosti Sa normama	90
Uputstvo za upotrebu	94
Čišćenje i održavanje	96

## CONȚINUT



Declarație de conformitate cu regulile	104
Ghid de utilizare	108
Curățare și mentenanță	110

## СОДЕРЖАНИЕ



Декларация о соответствии стандартам	121
Руководство по эксплуатации	126

# DECLARATION OF A STANDARDS CONFORMITY

The producer confirms that the devices agree with 2014/30/EU, 2014/35/EU standards, rule nr. 117/2016 sb., 118/2016 sb. and with relevant government orders. Installation must be done with respect to valid standards. Attention, the producer refuses any responsibility in case of direct or indirect damages which are caused due to wrong installation, incorrect intervention or modification, insufficient maintenance, incorrect use and also possibly caused by other reasons presented by items in sale conditions. This appliance is set only for skilled use and must be operated by qualified persons only. Parts set and secured by the producer or accredited person must not be rebuilt by user.

## TECHNICAL DATA

Label with technical data is placed on the back side of the device. Study the electrical diagram of connection and all following information before installation.

PRODUCT TYPE	VOLTAGE (V/HZ)	NUMBER OF THERMOSTATS (ITEMS)	POWER INPUT MAX. (KW)	DIMENSIONS (CM)	CHAMBER DIMENSIONS (CM)	WEIGHT (KG)
E - 4	400 V, 3N, 50 Hz	2	4,8	98 x 92 x 42 v	70 x 70 x 15 v	80
E - 6	400 V, 3N, 50 Hz	2	7,2	98 x 121 x 42 v	70 x 105 x 15 v	110
E - 6 L	400 V, 3N, 50 Hz	2	8	131 x 92 x 42 v	105 x 70 x 15 v	122
E - 9	400 V, 3N, 50 HZ	2	12	131 x 121 x 42 v	105 x 105 x 15 v	150
E - 8	400 V, 3N, 50 HZ	4	9,6	98 x 92 x 76 v	2x 70 x 70 x 15 v	125
E - 12	400 V, 3N, 50 HZ	4	14,4	98 x 127 x 75 v	2x 70 x 105 x 15 v	180
E - 12 L	400 V, 3N, 50 HZ	4	16	131 x 92 x 75 v	2x 105 x 70 x 15 v	232
E - 18	400 V, 3N, 50 HZ	4	24	131 x 127 x 75 v	2x 105 x 105 x 15 v	245
E-4/50	400 V, 3N, 50 HZ	2	4	83 x 66 x 41 v	55 x 55 x 15	75
E-8/50	400 V, 3N, 50 HZ	4	8	83 x 66 x 76 v	2x 55 x 55 x 150	120

## PACKING AND DEVICE CHECK

The device leaves our stocks properly packed with appropriate symbols and labels. There are also appropriate instructions for use. In case the packing shows bad handling or damage, it must be reclaimed at transporter immediately by writing and signing of a damage protocol.

Important notice:

-This product is only intended for use inside.

Never use the appliance if it has a damaged supply cable or plug, if it is not working correctly, has fallen to the ground and been damaged or fallen into water. In such cases take the appliance to a professional service in order to verify that it is safe and works correctly.

- only for professional use
- this instructing guide must be read properly and carefully because it contains important information about safety elements, installation, use
- these recommendations refer to this product
- this product corresponds with valid standards
- this guide must be properly deposited for future use
- keep the children away from manipulation with the product
- when selling or moving the product to another place it is necessary to make yourself sure that the staff or the professional service has got acquainted with control and installation instructions from enclosed guide
- only authorised person can operate the product
- it can not be switched on without supervision
- we recommend to have the product checked by professional service min. once a year
- only original spare parts can be used for repairs
- the product can not be cleaned by the water jet or pressure shower
- by damage or break down disconnect all the feeders (water, gas, electricity) and call professional service
- producer refuses any responsibility in case of damages caused by wrong installation, by disobeying of above mentioned recommendations or by other use etc.

## **PLACEMENT**

The device must be installed in well ventilated room what is necessary for regulation of the function of the device (technician must go by valid standard (EN....). If the device is situated close to the wall or if it is in contact with the furniture walls, these walls must resist the temperatures ranging to 90°C. Installation, setting, putting into operation must be done by qualified person who is competent for this and according to the valid standards.

Wrap up the device and check whether it was not damaged during transport. Settle the device on horizontal surface (max imbalance 2°).Settle the device under the fumehood to eliminate water steam and bad smell. The device can be installed separately or in a set with devices of our production. Min. distance 10 cm from other subjects must be kept.It is also necessary to prevent our product from contact with combustible materials. In this case you must make corresponding changes to secure heat izolation of combustible parts. Safety measures from the standpoint of the fire protection according to EN 061008čl. 21:

## **TECHNICAL INSTRUCTIONS FOR INSTALATION AND REGULATION**

### **Important:**

The manufacturer does not provide warranty for defects caused by improper use, failure to instructions contained in the attached instructions for use and mistreatment of the appliances.

Installation, adjustment and repair of appliances for kitchens, as well as their removal because of possible damage to the gas can be carried out only under a maintenance contract, this contract may be signed with an authorized dealer, and must be complied with regulations and technical standards and regulations regarding the installation, power supply, gas connection and health & safety system.

These instructions are intended for the qualified technician who must perform the installation, put it into operation and test the appliance.

Any activity as settings, placement, rebalancing etc, must be made only when is device disconnected from electricity. If it is necessary to have the device connected to the electricity you must keep the highest attention to avoid any injuries.

### **DEVICE INSTALATION**

Instalation, setting, rebuilding for another gas type, putting into operation must be done by qualifi ed person whois competent for this and according to the valid standards. The device can be installed in good ventilated room. When it is possible place the device under the fumehood to suck off the products of combustion. Air needy to the burning is 2m<sup>3</sup>/h/kW ot the performance of the instaled device. The device can be installed separately or in a set with devices of our production. Min. distance 10 cm from other subjects must be kept.It is also necessary to prevent our product from contact with combustible materials. In this case you must make corresponding changes to secure heat izolation of combustible parts (for example:place between the device and combustible material azbestos plate).

## CONNECTION OF THE ELECTRIC CABLE TO THE ELECTRICITY

Installation of electric feeder - This feeder must be separately protected by a safety fuse according to the specific electric stream which depends on the wattage of the installed device. Check the wattage on the label at the back of the device. Connect the device directly to the electricity but you must put the switch between the device and electric net. The switch must be placed in min. distance 3 mm between the particular contacts according to the standards and loading. The feeder of grounding (yellow-green) cannot be interrupted by this switch. In every case feeding cable must be placed so that no point of the cable will reach the temperature which is 50°C higher than the temperature of the surrounding. Before connecting the device check that:

- safety fuse of the feeder and inner mains can stand the loading of the device (see label of the matrix)
- mains are equipped with effective grounding according to standards (ČSN) and conditions given by law
- socket or switch of the feed is well accessible from device

We refuse any responsibility in case of not respecting above mentioned rules. Before the first use it is necessary to remove all the protection foil and to clean the device - see chapter „cleaning and maintenance“.

Maintenance: We recommend to have the device checked once a year by the professional service. Only qualified or competent persons can do interventions in the product.

## SAFETY MEASURES FROM THE STANDPOINT OF THE FIRE PROTECTION ACCORDING TO EN 061008 ČL. 21

- only adults can operate the device
- device must be safely used in common surroundings according to EN 332000-4-462; EN 332000-4-42. You must switch the gas device off under the circumstances leading: to the danger of the temporary rise of the combustion gas or steam or during works when there is a big possibility of rise of the temporary fire danger or explosion (for example: to stick linoleum, PVC etc.).
- before you start to install the device you must get the licence for connection to the gas feeder from the gasworks
- device must be placed so as to stand or hang on the noncombustible surface which is on each side 10 cm larger than the device. No subjects from combustible materials can be placed directly on the device or in distance which is shorter than safety distance (the shortest distance is 50 cm in the direction of the heat emission and 10 cm in other directions).- safety distances from various materials of different degree of combustion and information about the degree of comb. of common building materials - see chart:

### Chart:

Combustion degree of building materials classified according to the combustion degree of materials and products (EN 730823)

A noncombustible	granit, sandstone, concretes, bricks, ceramic wallfacing tiles, plaster
B uneasily combustible	akumine, heraklite, lihnos, itavere
C1 hardly combustible	leafy wood, plywood, sirkoklit, rare paper formica
C2 middle combustible	fibreboards, solodure, cork boards, rubber, floor-coverings
C3 easily combustible	wood-fibreboards, polystyrene, polyurethane, PVC

Devices must be installed in a safe way. When installing you must respect corresponding project, safety and hygienic orders according to:

- EN 061008 fire protection of local devices and sources of heat
- EN 332000 (33 2000-4-482; 33 2000-4-42) surrounding for electric devices ČSN EN 1775 Gas supplying
- Gas fittings in the buildings - the highest operational pressure < 5 bar - operation demands
- § 10 law nr. 185/2001 Sb. about waste

## INSTRUCTION FOR USE

Warning! Before you begin using this oven you must remove the protective film from its whole surface, wash it well with water containing washing up liquid and then wipe it with a damp rag. Before starting baking switch the oven on for approx. 4 hours at its 300 °C so that the residues of preservative substances are burnt off.

**Before using the oven for the first time the temperature must be set to 300 °C and the oven must be kept running for 4 hours. After the oven has been prepared in this manner standard operation can be commenced.**

**Open and close the doors using the handles (pos. H, pic. 1). When the oven is on do not touch the metal components, you could be burnt. All control elements and the handles are protected against radiant heat. When handling foods in the baking chamber use protective aids on your hands. Do not cover the oven, not even partially, do not place anything on it.**

### Controls (pic. 1)

Start the oven by turning the main switch (A) to point "I" according to the label on the knob. The machine is now switched on. Use the regulation buttons on the thermostat to independently regulate the upper (B) and lower (C) heating elements, which are switched on after the required temperature is set. The pilot lights (D) for the upper and lower part of the chamber light up when the heating elements are on. To turn the heating elements off set the thermostat for the specific level to 0°C. The interior chamber lighting is turned on by pressing the backlit switch (E), switching it to "I" and turned off by switching it to "O". The lighting only works if the oven is turned on using the main switch (A).

### Turning the oven off

To turn the oven off make sure that the interior lighting and the heating elements have been turned off, then turn the main switch to "0".

### Control panel (pic. 1)



- (A) MAIN SWITCH
- (B) UPPER HEATING ELEMENT THERMOSTAT
- (C) LOWER HEATING ELEMENT THERMOSTAT
- (D) HEATING ELEMENT PILOT LIGHTS
- (E) INTERIOR LIGHTING SWITCH
- (F) THERMOMETER
- (G) VALVE DRAW-ROD
- (H) DOOR HANDLES

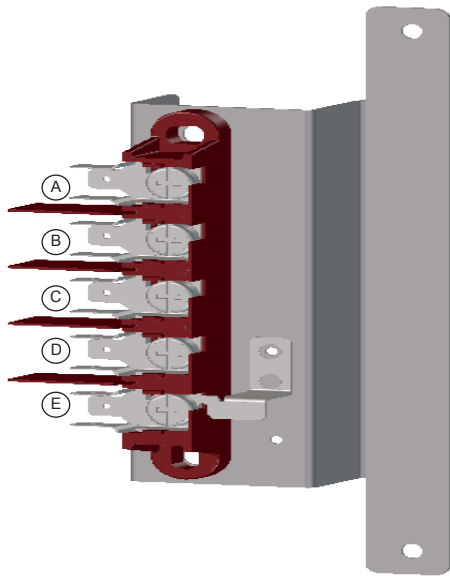
## OPERATING INSTRUCTIONS

- When baking you must check the pizzas and if necessary turn them so that they are baked uniformly.
- When starting the baking process switch the chamber on with the thermostats turned to maximum. After the oven has been heated set the thermostats to operating temperature.
- The temperature set on the upper and lower thermostat is not usually identical (a lower temperature on the bottom thermostat).
- When the oven is switched on and empty the temperature of the fire-clay slabs rises from the upper heating elements.
- In two storey ovens heat is transferred between the upper and lower chambers.
- Clean the fire-clay slabs regularly using the appropriate equipment.
- A basic set of tools can be purchased additionally for each oven.
- Only switch the light on when baking, this will extend the service life of the light bulbs.
- If too much steam is produced in the work area it can be released by opening the steam valve using the draw-rod (pos. G, pic. 1).



## Connecting the supply cable, equipotential symbol (pic. 2)

- The terminal panel is located on the rear of the oven.



## Oven chamber (pic. 3)



- (A) FIRE-CLAY SLABS
- (B) INTERIOR CHAMBER LIGHTING
- (D) HEATING ELEMENT SUPPORT
- (E) HEATING ELEMENTS

## CLEANING AND MAINTENANCE

It is recommended to have the device checked by the professional service min. once a year. All interventions must be done by qualified person who is competent for this.

### ATTENTION!

The device cannot be cleaned by direct or pressure water. Clean it daily. Daily maintenance keeps longer useful life and efficiency of the device. Before cleaning make sure to have disconnected the device from electricity. Always switch off the main feeder to the device. Stain-less parts wash with moist cleaning cloth and detergent without groove parts than wash it with clean water and dry it by the cloth. Do not use abrasive and corrosive detergents.

### WHAT TO DO IN CASE OF BREAK-DOWN

Switch off the electric feeder and call seller's professional service.

### INDICATION:

Guarantee does not cover all consumption parts succumable to common wear (rubber seals, bulbs, glas and plastic parts etc.). The guarantee does not refer to the devices which were not instaled in correspondance with instructions - by qualified worker, in confirmity with standards and when somebody handled incompetently the device (interventions into inner equipment) or the device was operated by nonqualified staff or at variance with instructions for use. Guarantee does not also cover the damages caused due to influence of nature or other outer intervention.

## DIE NORMENÜBEREINSTIMMUNGSDEKLARATION

Der Produzent erklärt, daß die Geräte in einer Übereinstimmung mit den Vorschriften der 2014/35/EU, 2014/30/EU dem Gesetz Nr. 118/2016 sb., 117/2016 sb. der Sammlung und zugehörigen Regierungsverordnungen stehen. Die Installation muss mit der Absicht auf geltende Normen durchgeführt werden. Vorsicht, im Falle einer direkten oder indirekten Beschädigung, die sich auf falsche Installation, unrichtigen Eingriff oder Anpassungen, ungenügende Instandhaltung, unrichtige Verwendung beziehen, und welche eventuell durch andere Ursachen, als in Punkten der Verkaufsbedingungen angeführt ist, so verzichtet der Importeur auf jegliche Verantwortung. Dieses Gerät ist nur für fachliche Verwendung bestimmt und muß durch qualifizierte Person bedient werden. Teile, die nach der Einstellung durch den Hersteller oder durch befugte Person gesichert wurden, dürfen vom Benutzer keineswegs umgestellt werden.

## DIE TECHNISCHEN DATEN

Das Schild mit technischen Angaben ist auf der Rückseite des Gerätes angebracht. Studieren sie vor der Installation das elektrische Schema der Einschließung und alle folgende Informationen durch.

PRODUKT TYP	SPANNUNG (V/ HZ)	THERMOSTATEN (ST.)	LEISTUNGSBEDARF MAX.(KW)	ABMESSUNGEN (CM)	KAMMERABMESSUNGEN (CM)	GEWICHT (KG)
E - 4	400 V, 3N, 50 Hz	2	4,8	98 x 92 x 42 v	70 x 70 x 15 v	80
E - 6	400 V, 3N, 50 Hz	2	7,2	98 x 127 x 42 v	72 x 107 x 15 v	110
E - 6 L	400 V, 3N, 50 Hz	2	8	131 x 92 x 42 v	107 x 72 x 15 v	122
E - 9	400 V, 3N, 50 HZ	2	12	131 x 127 x 42 v	107 x 107 x 15 v	150
E - 8	400 V, 3N, 50 HZ	4	9,6	98 x 92 x 76 v	2x 70 x 70 x 15 v	125
E - 12	400 V, 3N, 50 HZ	4	14,4	98 x 127 x 75 v	2x 72 x 107 x 15 v	180
E - 12 L	400 V, 3N, 50 HZ	4	16	131 x 92 x 75 v	2x 107 x 72 x 15 v	232
E - 18	400 V, 3N, 50 HZ	4	24	131 x 127 x 75 v	2x 107 x 107 x 15 v	245
E-4/50	400 V, 3N, 50 HZ	2	4	83 x 66 x 41 v	55 x 55 x 15	75
E-8/50	400 V, 3N, 50 HZ	4	8	83 x 66 x 76 v	2x 55 x 55 x 150	120



## **DIE VERPACKUNGS-, UND VORRICHTUNGSKONTROLLE**

Die Vorrichtung verlässt unsere Lager in ordentlicher Verpackung, auf deren die entsprechenden Symbole und Bezeichnungen stehen. In der Verpackung befindet sich entsprechende Bedienungsanweisung. Falls die Verpackung eine schlechte Behandlung oder Anzeichen der Beschädigungen vorweist, muß dieses sofort beim Transporteur reklamiert werden und zwar durch Unterzeichnung eines Schadensprotokolles.

### **Wichtige Hinweise**

-Das Erzeugnis ist nur zur Verwendung im Innenraum bestimmt.

Verwenden Sie den Verbraucher nie, wenn die Speisezuleitung oder der Stecker beschädigt sind, das Gerät nicht richtig arbeitet, ist auf den Boden gefallen und hat sich beschädigt oder ist ins Wasser gefallen. Bringen Sie in solchen Fällen den Verbraucher zu einem Fach-Kundendienst zur Überprüfung seiner Sicherheit und richtiger Funktion.

- Nur für professionellen Verbrauch geeignet
- Diese Bedienungsanleitung muss ordentlich und bedächtig gelesen werden, weil sie wichtige Informationen über Sicherheitsmerkmale, Installation und Anwendung beinhaltet
- Diese Empfehlungen beziehen auf diesen Produkt
- Der Produkt entspricht geltenden Normen
- Diese Anleitung muß ordentlich für die zukünftige Verwendung hinterlegt werden
- Hindern Sie den Kinder an Vorrichtungsm Manipulation
- Beim Verkauf oder Verlegung ist es notwendig sich zu überzeugen, daß die Bedienstperson oder Fachservis sich mit der Beherrschung und Installationsanweisung in beiliegender Anleitung, anvertraut gemacht haben.
- Das Produkt darf nur eingeschulte Bedienung bedienen
- Das Produkt darf nicht ohne Aufsicht ins Betrieb gesetzt sein
- Es ist empfohlen, minimal einmal pro Jahr eine Fachkontrolle durchführen zu lassen
- Bei eventueller Reparatur der Teilenumtauschungen müssen ausschließlich Originalteile angewendet werden
- Das Produkt darf nicht durch einen Wasserstrahl oder Druckbrause gereinigt werden
- Schalten Sie alle Leitungen (Wasser, Elektrizität, Gas) bei einer Störung oder beim schlechten Lauf aus und rufen Sie autorisierten Service an
- Der Hersteller verzichtet auf jegliche Verantwortung bei Störungen, die durch fehlerhafte Installation, Nichteinhaltung o.a. Empfehlungen, andere Verwendung u.ä, verursacht wurden

### **DIE PLATZIERUNG**

Es ist unbedingt notwendig, zu der Regulation der Gerätetätigkeit, daß das Milieu - der Küche -, wo das Gerät installiert wird, sehr gut belüftbar ist (im Hinblick darauf: sei der Techniker sich mit geltenden Normen (EN) richtet). Wenn die Einrichtung so plaziert wird, daß sie im Mobiliarwandkontakt stehen wird, so müssen diese einer Temperatur von 90°C widerstehen. Die Installation, Herrichtung, Inbetriebnahme müssen durch qualifizierte Person, die zu solchen Vorkehrungen eine Befugnis hat und dies laut geltenden Normen nach, durchgeführt werden.

Packen Sie das Gerät aus und kontrollieren Sie , ob sich das Gerät während des Transportes nicht beschädigt hat. Platzieren Sie das Gerät auf eine waagrechte Fläche (maximale Unebenheit bis 2°). Stellen Sie das Gerät unter den Haubenabzug, damit Sie die Wasserdämpfe und den Geruch eliminieren. Das Gerät kann selbständig oder in einer Reihe mit Geräten unserer Herrstellung installiert werden. Es ist notwendig die minimale Entfernung von 10 cm zu anderen Gegenständen einzuhalten, so dass die Wärmeisollierung der brennbaren Teilen gewährleistet wird.

Das Gerät kann selbständig oder in einer Reihe mit Geräten unserer Herrstellung installiert werden. Es ist notwendig die minimale Entfernung von 10 cm zu anderen Gegenständen einzuhalten, so dass die Wärmeisollierung der brennbaren Teilen gewährleistet wird.

# TECHNISCHE HINWEISE ZUR INSTALLATION UND REGELUNG

## Wichtig:

Zur Benützung AUSSCHLIEßLICH nur für spezialisierte Techniker  
Instruktionen, die folgen, wenden sich an den Techniker, der für die Installation qualifiziert ist, damit er alle Operationen mit der korrektesten Weise und laut der gültigen Normen durchführt.

## Wichtig

Jeweils irgendeine Tätigkeit, die mit der Regulation verbunden ist u.ä, muß nur mit der aus dem Netz ausgezogenen und abgeschalteten Einrichtung vollgezogen sein.

Solange das Gerät unter der Spannung notwendig zu halten ist, eine höchste Vorsicht zu beachten vorliegt.

## DIE SICHERHEITSVORRICHTUNGEN AUS DER SICHT DES FEUERSCHUTZES LAUT EN. 061008 ČL. 21

Die Einrichtungsbedienung dürfen nur Erwachsene ausführen

- Das Gerät darf sicher in gewöhnlicher Umgebung laut EN 332000-4-482; EN 332000-4-42 verwendet werden.
- Es ist notwendig das Gerät so platzieren, daß es auf einer unbrennbaren Grundlage steht oder hängt.
- Es dürfen, auf und in eine Entfernung, die kleineremase als sicher vom Gerät bezeichnet wird, keine Gegenstände aus brennbaren Materilien (die kleinste Entfernung vom Brennbarem ist 10 cm) aufgestellt werden.
- Die sicheren Entfernungen von Massen der einzelnen Brenngra

## Tabelle:

Baumassefeuerbrenngrad ins Brenngrad (EN) der Massen und Produkte eingegliedert

A	Unbrennbar	Granit, Sandstein, beton, Ziegel, Keramikbekleidung, Putz
B	nicht einfach brennbar	Akumin, Heraklit, Lihnos, Itaver
C1	schwer brennbar	Holz, Laubbaum, Furnier Sirkoklit, Festpapier, Umakart
C2	mittel brennbar	Holzspanplatten, Solodur, Korkplatten, Hartgummi, Bodenbeläge
C3	leicht brennbar	Holzfasernplatten, Polystyren, Polyureten, PVC

Die Bedarfsartikel müssen sicher installiert werden und sind mit regulierenbaren Beinchen - zur Ausgleichen der Höhe und der Unebenheiten eingestattet.

Die Geräte müssen in einer sicheren Weise installiert werden. Bei der Installation müssen weiter betreffende Projekt-, Sicherheits-, und Hygienevorschriften respektiert werden.

- EN 06 1008 Feuerschutz der örtlichen Geräte und der Wärmquellen
- EN 33 2000 (33 2000-4-482; 33 2000-4-42) Umgebung für elektrische Geräte
- Gasversorgung -Gasleitunge in Gebäuden - Höchste Verkehrsdruck ≤ 5 BarVerkehrsansprüche,
- § 10 des Gesetzes Nr.185/2001 Sb., der Abfälle betrifft.

## **DER ELEKTRISCHE KABELNETZANSCHLUSS**

Die Installation der elektrischen Ankupplung - Diese Zuleitung muß selbstständig gesichert werden. Und das durch entsprechende Sicherung des Nennstromes in der Abhängigkeit am Anschlußwert des installierten Gerätes. Kontrollieren sie den Anschlußwert des Apparates auf dem Produktionsschild im Hinterteil des Gerätes. Schließen Sie das Gerät direkt ans Netz an.

Es ist unbedingt notwendig zwischen das Gerät und das Netz einen Schalter zu legen, der eine minimale Entfernung von 3mm unter den Einzelkontakten aufweist und der auch den geltenden Normen und Belastungen entspricht. Die Erdungszuleitung (gelbgrün) darf nicht durch diesen Schalter unterbrochen sein.

Der Zuleitungskabel muß in jedem Fall so angebracht sein, dass er in keinem Punkt einer um 50°C höherer Temperatur als Umgebungstemperatur nicht erreicht. Eher das Gerät ans Netz angeschlossen wird, versichern Sie sich, dass:

- die Zuleitungssicherung und die Innenscheidung die Einrichtungsbelastung ertragen (siehe Matriceschild),
- die Verteilung mit wirksamer Erdung laut Normen (EN) und Gesetzbedingungen ausgestattet ist

**WIR VERZICHTEN AUF JEDLICHE VERANTWORTUNG IM FALLE, DASS DIESE NORMEN NICHT RESPEKTIERT WERDEN UND IM FALLE DER NICHTEINHALTUNG DER OBENERWÄHNTER GRUNDSÄTZE.**

Es ist notwendig die Schutzfolie vor der ersten Benützung zu beseitigen, sowie das Gerät zu reinigen siehe das Kapitel „Reinigung und Instandhaltung“.

# GEBRAUCHSANWEISUNG

## Vorsicht!

Vor dem Gebrauch des Gerätes ist von der gesamten Oberfläche die Schutzfolie abzunehmen, weiter ist die gesamte Oberfläche mit einem Geschirreinigungsmitel zu waschen und mit weichem Putztuch abzuwischen. Vor dem Backen lassen Sie den Ofen auf 300 °C ca. 4 Stunden lang laufen, um die Reste der Konservierungsmittel auszubrennen.

**Vor dem ersten Gebrauch ist die Temperatur auf 300 °C einzustellen und der Ofen muss ca. 4 Stunden lang laufen. Nach diesem Ausbrennen kann der Ofen in den laufenden Betrieb genommen werden.**

**Tür mittels Handgriffe (Pos. H, Abb. 1) öffnen und schließen. Beim Betrieb ist jede Berührung der metallischen Teile zu vermeiden: Verbrennungsgefahr. Sämtliche Betätigungselemente und Handgriffe sind vor der strahlenden Wärme geschützt. Bei dem Umgang mit den Lebensmitteln in der Backkammer sind Schutzhandschuhe zu verwenden. Es ist verboten, den Ofen sogar teilweise abzudecken oder Gegenstände darauf zu legen.**

## Betätigung (Abb. 1)

Die Anlage wird in Betrieb genommen, indem der Hauptschalter (A) in die Lage „I“ entsprechend der am Schalter geklebten Etikette gebracht wird. Dann befindet sich das Gerät unter Spannung. Mit Regelknöpfen von Thermostaten können obere (B) und (C) untere Heizkörper reguliert werden: diese werden nach der Einstellung der erwünschten Temperatur in Betrieb genommen. Die Heizkörper werden durch das Aufleuchten der Kontrollleuchten (D) für oberen und unteren Kammerteil signalisiert. Nach der Abschaltung des Erhitzens der Heizkörper ist der Thermostat für die gewählte Etage auf die Temperatur von 0°C einzustellen. Die innere Kammerbeleuchtung wird mittels eines durchgeleuchteten Schalters (E) eingeschaltet, Einschaltung in der Position „I“, Ausschaltung in der Position „0“. Die Beleuchtung funktioniert nur dann, wenn das Gerät mittels Hauptschalter (A) in Betrieb genommen wurde.

## Ausschalten des Ofens

Nach dem Ausschalten des Ofens überzeugen Sie sich, dass die innere Beleuchtung sowie die Heizkörper ausgeschaltet sind, dann bringen Sie den Hauptschalter in die Pos. „0“.

## BETÄTIGUNGSTAFEL (ABB. 1)



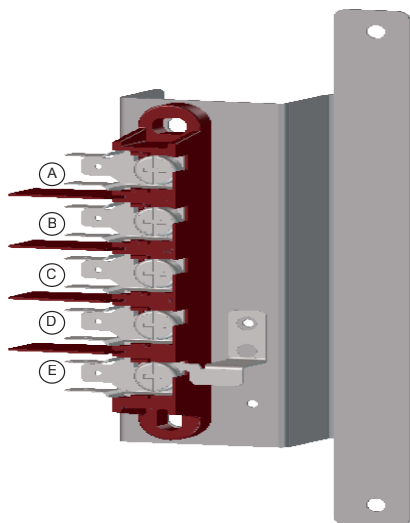
- Ⓐ MHAUPTSCHALTER
- Ⓑ THERMOSTAT DER OBEREN HEIZKÖRPER
- Ⓒ THERMOSTAT DER UNTEREN HEIZKÖRPER
- Ⓓ KONTROLLLEUCHTEN DER ERWÄRMUNG
- Ⓔ SCHALTER DER INNEREN BELEUCHTUNG
- Ⓕ THERMOMETER
- Ⓖ ZUGSTANGE DER KLAPPENBETÄTIGUNG
- Ⓗ HANDGRIFFE TÜR

## BETRIEBSEMPFEHLUNG

- Im Verlauf des Backens ist der Zustand der Pizzen zu kontrollieren; ggf. sind sie teilweise umzudrehen, damit sie regelmäßig durchgebraten werden.
- Anfangs ist die Kammer mit den auf Maximum eingestellten Thermostaten einzuschalten. Nach dem Erhitzen sind die Thermostaten auf die Betriebstemperatur einzustellen.
- Die am oberen und unteren Thermostat eingestellten Temperaturen sind meistens nicht identisch (die Temperatur am unteren Thermostat ist niedriger)
- Ist der Ofen eingeschaltet und leer, wächst die Temperatur der Schamotteplatten von den oberen Heizkörpern
- Bei Zweietagenöfen wird die Wärme zwischen der oberen und unteren Kammer übertragen und im Gegenteil.
- Die Schamotteplatte ist regelmäßig mit geeigneten Werkzeugen zu reinigen.
- Zu jedem Ofen kann ein Grundwerkzeugsatz zusätzlich zugekauft werden.
- Die Beleuchtung soll nur beim Backen eingeschaltet werden, es wird dadurch die Lebensdauer der Glühlampen verlängert
- Bei übermäßiger Dampfentwicklung im Arbeitsraum kann die Dampfklappe mittels Betätigungszugstange (Pos. G, Abb. 1) geöffnet werden.

## ANSCHLIESSEN DES ZULEITUNGSKABELS, ZEICHEN DER ÄQUIPOTENTIALITÄT (ABB. 2)

- Das Klemmenbrett befindet sich auf der hinteren Geräteseite



## OFENKAMMER (ABB. 3)



- (A) SCHAMOTTEPLATTEN
- (B) INNERE KAMMERBELEUCHTUNG
- (D) UNTERSTÜTZUNG DER OBEREN HEIZKÖRPER
- (E) HEIZKÖRPER

## DIE REINIGUNG UND INSTANDSHALTUNG

**ACHTUNG!** Die Einrichtung darf nicht mit Direkt-, oder Druckwasserstrahl gereinigt werden. Reinigen Sie das Gerät täglich. Die Lebensdauer und Gerätewirkung wird durch die tägliche Wartung gewährleistet. Überzeugen Sie sich, vorm Reinigungsanfang, dass Sie die Einrichtung vom Elektrostrom abgeschaltet haben. Schalten Sie immer die Gerätehauptzufuhr ab. Waschen Sie die Edeltaile mit feuchtem Waschlappen, der im Waschpulver getaucht ist und keine grobe Teilchen aufweist. Wischen Sie alles ins Trockene ab. Verwenden Sie keine abrasive- oder korrosionsreiche Reinigungsmitteln.

### WIE MAN IM FALLE EINER STÖRUNG VORANGEHEN SOLL

Schalten sie die elektrische Stromleitung ab und rufen die Serviceorganisation des Verkäufers an.

## HINWEIS

Die Garantie bezieht sich nicht auf alle Verbrauchsteile, die der geläufiger Abnutzung unterstehen (gesamte Gummidichtungen, Glühlampen, alle glasernde und plastische Teile, usw.). Die Garantie bezieht sich nicht weiterhin auf Einrichtungen, die durch befugte Person laut Anweisung und entsprechender Normen nicht installiert worden sind und wenn mit dem Gerät unfachmännisch manipuliert wurde (Eingriffe ins Innere) und auf Beschädigungen durch Natureinflüsse oder Ausseneingriffe.



# DÉCLARATION DE CONFORMITÉ

Le fabricant certifie la conformité des appareils aux normes 2014/30/EU, 2014/35/EU à la loi n° 117/2016 sb., 17/2003 sb. et aux décrets applicables. L'installation doit être effectuée dans le respect des normes en vigueur. Attention: le fabricant décline toute responsabilité en cas de dommages, directs ou indirects, causés par une mauvaise installation, par une utilisation, des interventions ou des modifications impropres, par un entretien insuffisant, ainsi qu'en cas de dommages dérivant des causes mentionnées dans les conditions de vente. L'appareil objet de la présente notice est prévu pour un usage professionnel, aussi son utilisation doit-elle être confiée à un personnel possédant les compétences nécessaires à cet effet. L'utilisateur ne doit procéder à aucune intervention ni à aucune modification sur les parties réglées et protégées par le fabricant ou autre personnel autorisé à cet effet.

## CARACTÉRISTIQUES TECHNIQUES

L'étiquette sur laquelle figurent les caractéristiques techniques est apposée sur la partie postérieure de l'appareil. Avant de procéder à l'installation, prendre connaissance du schéma électrique et de toutes les informations que contient la présente notice.

TYPE DE PRODUIT	TENSION (V/HZ)	NOMBRE DE THER-MOSTATS (UNITÉS)	PUISSANCE MAX. (KW)	DIMENSION (CM)	DIMENSION DE LA CHAMBRE (CM)	POIDS (KG)
E - 4	400 V, 3N, 50 Hz	2	4,8	98 x 92 x 42 v	70 x 70 x 15 v	80
E - 6	400 V, 3N, 50 Hz	2	7,2	98 x 127 x 42 v	72 x 107 x 15 v	110
E - 6 L	400 V, 3N, 50 Hz	2	8	131 x 92 x 42 v	107 x 72 x 15 v	122
E - 9	400 V, 3N, 50 HZ	2	12	131 x 127 x 42 v	107 x 107 x 15 v	150
E - 8	400 V, 3N, 50 HZ	4	9,6	98 x 92 x 76 v	2x 70 x 70 x 15 v	125
E - 12	400 V, 3N, 50 HZ	4	14,4	98 x 127 x 75 v	2x 72 x 107 x 15 v	180
E - 12 L	400 V, 3N, 50 HZ	4	16	131 x 92 x 75 v	2x 107 x 72 x 15 v	232
E - 18	400 V, 3N, 50 HZ	4	24	131 x 127 x 75 v	2x 107 x 107 x 15 v	245
E-4/50	400 V, 3N, 50 HZ	2	4	83 x 66 x 41 v	55 x 55 x 15	75
E-8/50	400 V, 3N, 50 HZ	4	8	83 x 66 x 76 v	2x 55 x 55 x 150	120

## CONTROLE DE L'EMBALLAGE ET DE L'APPAREIL

En vue de son transport, l'appareil quitte les établissements du fabricant parfaitement emballé (sur l'emballage sont apposés les étiquettes et les symboles nécessaires à cet effet). L'emballage contient également la notice des instructions d'utilisation. Dans le cas où l'emballage présenterait des dommages ainsi que dans le cas où il s'avérerait qu'il a été manipulé sans les précautions nécessaires, il est impératif d'adresser sans attendre une déclaration au transporteur en y joignant une acceptation de la marchandise sous réserve.

### Recommandation importante:

-Le produit est destiné uniquement à un usage intérieur.

N'utilisez jamais cet appareil si le cordon ou la fiche sont endommagés, si l'appareil fait défaut, s'il a été échappé ou endommagé ou immergé. Dans ce cas, retournez cet appareil au centre service autorisé pour examen.

- Pour usage professionnel seulement
- La présente notice des instructions d'utilisation et d'entretien contient d'importantes informations relatives à la sécurité, à l'installation et à l'utilisation; il est nécessaire d'en effectuer attentivement la lecture.
- Les recommandations se réfèrent à l'appareil objet de la présent notice.
- L'appareil est conforme aux normes en vigueur.
- Veiller à bien conserver la notice de telle sorte qu'elle puisse être consultée à tout moment en cas de besoin.
- Ne pas laisser des enfants s'approcher de l'appareil durant son utilisation.
- Pendant la vente ou après le déménagement de l'appareil vérifier que le personnel lise attentivement la présente notice d'utilisation
- L'appareil ne peut être utilisé que par le personnel instruit
- L'appareil ne peut être laissé en marche sans surveillance
- Il est recommandé de faire l'appareil contrôler au moins une fois par an dans un service spécialisé
- Ne pas utiliser que des pièces détachées originelles.
- En cas de défaut ou de mavaise fonction, débrancher l'appareil (eau, gaz, électricité) et appeler un service spécialisé
- Le fabricant décline toute responsabilité en cas de dommages, directs ou indirects, causés par une mauvaise installation, utilisation , etc



## **LA LOCATION**

Le local dans lequel l'appareil est installé doit être bien ventilé. Si l'appareil doit toucher le parois, celui-ci doit résister à la chaleur de 90°C au minimum. L'installation, le réglage et la mise en marche doivent être effectués par une personne qualifiée ayant une autorisation nécessaire selon les normes en vigueur.

Déballez l'appareil et vérifiez s'il n'était pas endommagé pendant le transport. Placez l'appareil sur une surface horizontale (pente maximale de 2°). Placez l'appareil sous une hotte pour éliminer la vapeur et mauvaise odeur.

L'appareil peut être installé seul ou en série avec d'autres appareils de notre fabrication. Il faut respecter la distance minimale de 10 cm entre l'appareil et d'autres objets ainsi qu'éviter le contact avec les matériaux inflammables. Dans ce cas il faut prévoir les arrangements nécessaires pour assurer la protection des parties inflammables.

## **INSTRUCTIONS TECHNIQUES POUR INSTALLATION ET REGLEMENT**

### **Important:**

Le fabricant ne fournit pas de garantie pour les défauts causés par l'usage, tout manquement impropre aux instructions contenues dans les instructions ci-jointes pour l'utilisation et aux mauvais traitements des appareils.

Installation, réglage et réparation d'appareils pour les cuisines, ainsi que leur élimination en raison de dommages possibles au gaz peut être effectuée qu'en vertu d'un contrat de maintenance, ce contrat peut être signé avec un distributeur agréé, et doivent être conformes à la réglementation technique et normes et réglementations concernant l'installation, l'alimentation, de raccordement de gaz et de la santé et la sécurité du système.

Ces instructions sont destinées au technicien qualifié qui doit effectuer l'installation, le mettre en marche et tester l'appareil.

Toute activité en tant que paramètres, le placement, le rééquilibrage etc, doit être faite que lorsqu'il est périphérique déconnecté de l'électricité. Si il est nécessaire d'avoir le périphérique connecté à l'électricité, vous devez garder la plus grande attention afin d'éviter toute blessure.

## MÉSURES DE SÉCURITÉ POUR LA PROTECTION CONTRE INCENDIE SELON EN 06 1008 ARTICLE 21:

- l'appareil ne peut être utilisé que par des personnes majeures
- l'appareil peut être utilisé dans un espace ordinaire selon EN 332000-4-482; 332000-4-42
- l'appareil doit être placé ou suspendu d'une manière stable sur une surface ininflammable

Il est interdit de placer sur l'appareil ou dans la distance inférieure à 10 cm de l'appareil des objets inflammables.

- les distances de sécurité pour les matériaux inflammables selon leurs degré d'inflammabilité et les informations sur l'inflammabilité des matériaux de construction – voir le tableau

### Tableau:

degré d'inflammabilité d'un matériel de construction (EN 730823)

A ininflammables	granit, grès, béton, briques, carrelage céramique, enduit
B difficilement inflammables	acumin, héraclite, lihnos, itaver
C1 mal inflammables	bois des arbres feuillus, contre-plaqué, papier durci, umakart
C2 inflammabilité moyenne	aggloméré, solodur, liège, caoutchouc, revêtements
C3 inflammabilité facile	planches de fibre de bois, polystyrène, polyurethane, PVC

L'appareil doit être installé d'une manière sûre. Pour l'ajustage de l'appareil est ce-ci procuré des pieds réglables.

- EN 06 1008 protection contre incendie des consommateurs d'énergie locaux et des émetteurs de chaleur
- EN 33 2000 (33 2000-4-482; 33 2000-4-42) le milieu pour les appareil électriques

## BRANCHEMENT ÉLECTRIQUE

Installation de prise de courant – La prise de courant doit avoir un coupe-circuit indépendant en dépendance de puissance fournie de l'appareil. Vérifiez la puissance de l'appareil sur la plaque des caractéristiques techniques.

Branchez l'appareil directement au réseau, il faut mettre un interrupteur entre le réseau et l'appareil, son ouverture de contacts étant 3 mm au minimum. Câble de terre (vert-jaune) ne peut pas être interrompu par cet interrupteur. En tout cas, le câble de prise de courant doit être placé de telle manière que sa température ne dépasse jamais la température du milieu de plus que 50°C. Avant le branchement au réseau, s'assurer que :

- le coupe-circuit et distribution intérieure peuvent endurer la charge de l'appareil (voir la plaque)
- la mise à la terre fonctionne selon les normes en vigueur (EN) et selon la loi
- la prise ou l'interrupteur de circuit sont faciles d'accès

Le fabricant rénonce à toute responsabilité en cas que les normes ne seront pas respectés ainsi qu'en cas de dérogation des règles mentionnés ci-haut.

**Avant la première utilisation**, il faut retirer le film de protection et nettoyer l'appareil – voir chapitre « nettoyage et entretien ».

### Entretien:

Il est recommandé de faire contrôler l'appareil dans un service spécialisé au moins une fois par an. Toutes les interventions peuvent être effectuées seulement par une personne qualifiée ayant une autorisation pour ces interventions.

## MODE D'EMPLOI

### Attention!

Avant d'utiliser l'appareil, retirez les films de protection de toute la surface, lavez minutieusement avec de l'eau mélangée à un détergent, puis essuyez à l'aide d'un torchon humide. Avant de commencer la cuisson, laissez fonctionner le four pendant environ 4 heures afin de brûler les résidus des produits de conservation.

**Avant la première utilisation, il est indispensable de régler la température à 300 °C et de laisser le four fonctionner pendant 4 heures. Il est possible ensuite de l'utiliser normalement.**

Ouvrez et fermez la porte à l'aide des poignées (note H, image 1). Pendant l'utilisation, ne touchez pas les pièces métalliques, vous risquez de vous brûler. Les éléments de commande et les poignées sont protégés contre la chaleur radiante. Protégez vos mains lors de la manipulation des aliments dans la chambre de cuisson. Ne recouvrez pas le four, même partiellement, et n'y posez aucun objet.

### Commande (image 1)

Allumez l'appareil en mettant l'interrupteur principal (A) en position « I », selon l'étiquette de l'interrupteur. L'appareil est ainsi sous tension. A l'aide des boutons de réglage des thermostats, vous pouvez régler le corps de chauffe supérieur (B) et inférieur (C) qui se mettent en marche après le réglage de la température exigée. Les corps de chauffe sont indiqués par l'allumage des témoins lumineux (D) pour la partie supérieure et inférieure de la chambre. Le réchauffement des corps de chauffe est éteint en réglant le thermostat pour l'étage concerné à la température de 0° C. L'éclairage interne de la chambre est assuré par l'interrupteur éclairé (E) en position « I » et il s'éteint en position « 0 ». L'éclairage fonctionne seulement lorsque l'appareil est allumé à l'aide de l'interrupteur principal (A).

### Extinction du four

Pour éteindre l'appareil, vérifiez que l'éclairage interne et les corps de chauffe sont éteints, puis mettez

l'interrupteur principal en position « 0 ».

### Panneau de commande (image 1)



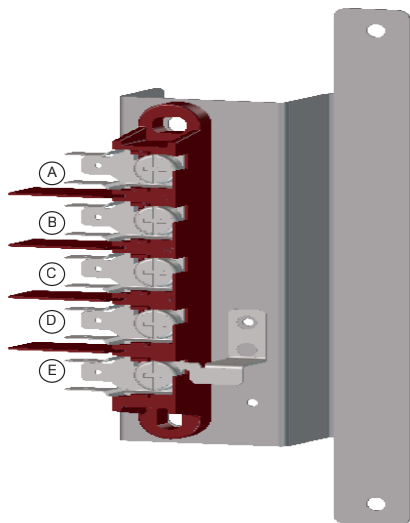
- (A) INTERRUPTEUR PRINCIPAL
- (B) THERMOSTAT DE RÉSISTANCES SUPÉRIEURES
- (C) THERMOSTAT DE RÉSISTANCES INFÉRIEURES
- (D) TÉMOINS LUMINEUX DU CHAUFFAGE
- (E) INTERRUPTEUR DE L'ÉCLAIRAGE INTERNE
- (F) THERMOMÈTRE
- (G) TRINGLE DE COMMANDE DU CLAPET
- (H) POIGNÉES DE LA PORTE

## RECOMMANDATIONS

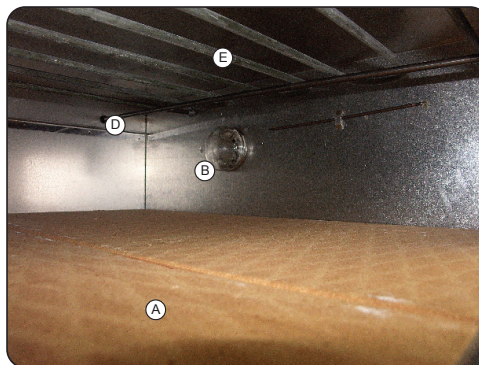
- Pendant la cuisson, contrôlez l'état des pizzas et éventuellement déplacez-les afin d'obtenir une cuisson générale.
- Au début, allumez la chambre avec les thermostats réglés au maximum. Après le réchauffement, réglez les thermostats à la température de régime.
- En général, la température réglée sur les thermostats supérieur et inférieur n'est pas identique (température inférieure sur le thermostat inférieur)
- Lorsque le four est éteint et vide, la température des plaques réfractaires augmente à partir des corps supérieurs.
- Pour les fours à deux étages, la chaleur circule entre la chambre haute et basse et vice versa.
- Nettoyez régulièrement les plaques réfractaires à l'aide de l'outillage correspondant.
- Un kit d'outillage de base peut être acheté pour chaque four.
- Allumez la lumière seulement pendant la cuisson afin d'augmenter la longévité des ampoules.
- La formation démesurée de vapeur dans l'espace de cuisson peut être évacuée à l'aide de la tringle de commande du clapet à vapeur (note G, image 1)

### Branchement du câble d'amenée, marque équipotentielle (image 2)

- La réglette de raccordement est située dans la partie arrière de l'appareil



### LA CHAMBRE À FOUR (IMAGE 3)



- (A) PLAQUES RÉFRACTAIRES
- (B) ÉCLAIRAGE INTERNE DE LA CHAMBRE
- (D) SUPPORT DES CORPS SUPÉRIEURS
- (E) CORPS DE CHAUFFE

## NETTOYAGE ET ENTRETIEN

Il est recommandé de faire contrôler l'appareil dans un service spécialisé au moins une fois par an. Toutes les interventions peuvent être effectuées seulement par une personne qualifiée ayant une autorisation pour ces interventions.

**ATTENTION !** L'appareil ne peut pas être nettoyé sous l'eau courante ou de pression. Nettoyer l'appareil chaque jour. Nettoyage quotidien prolonge la vie et le fonctionnement de l'appareil. Avant le nettoyage vérifier, si l'appareil est débranché. Toujours débrancher l'alimentation principale. Les pièces en inox nettoyer à l'aide d'un torchon humide et un détergent sans particules abrasives, rincer, sécher. Ne jamais utiliser les produits abrasifs ou corrosifs.

### Comment procéder en cas de panne de l'appareil

Débrancher l'appareil et appeler le service spécialisé.

### AVERTISSEMENT:

La garantie ne concerne pas les bourrelets en caoutchouc, bulbes, parties en verre et en plastique. Elle ne concerne également pas tout l'appareil si l'installation n'a pas été effectuée par une personne qualifiée, selon le mode d'installation ou selon les normes en vigueur ou si l'appareil n'a pas été utilisé selon le mode d'emploi, s'il y avait des interventions nonprofessionnelles (interventions à l'intérieur de l'appareil). La garantie ne concerne pas les endommagements causés par la pluie, vent, etc.

## DE VERKLARING VAN OVEREENSTEMMING MET DE NORMEN

De fabrikant verklaart dat de apparaten voldoen aan de basiseisen van de richtlijn 2014/30/EU (verordening van de regering nr. 117/2016 Coll.) en de eisen van de richtlijn 2014/35/EU (verordening van de regering nr. 118/2016 Coll.).

Houd er rekening mee dat de fabrikant elke aansprakelijkheid afwijst in geval van directe of indirecte schade, die betrekking heeft op verkeerde installatie, niet correcte ingreep of aanpassingen, onvoldoende onderhoud en onjuist gebruik en die eventueel veroorzaakt zijn door andere oorzaken die gespecificeerd zijn in de afzonderlijke punten van de verkoopsvoorwaarden. Dit apparaat is uitsluitend bedoeld voor professioneel gebruik en moet worden bediend door gekwalificeerd personeel. Onderdelen die na afstelling door de fabrikant of een geautoriseerd persoon zijn beveiligd, mogen door de gebruiker niet gewijzigd worden.

### Technische gegevens

Het typeplaatje met technische gegevens bevindt zich aan de zijkant of op de achterkant van het apparaat. Bestudeer het elektrische schema van het apparaat en alle onderstaande informatie, voordat u overgaat tot installatie van het apparaat.

PRODUCTTYPE	SPANNING (V/HZ)	AANTAL THERMOSTATEN (ITEMS)	AANSLUITVERMOGEN (KW)	AFMETINGEN APPARAAT (CM)	AFMETINGEN KAMER (CM)	GEWICHT (KG)
E - 4	400 V, 3N, 50 Hz	2	4,8	98 x 92 x 42 v	70 x 70 x 15 v	80
E - 6	400 V, 3N, 50 Hz	2	7,2	98 x 121 x 42 v	70 x 105 x 15 v	110
E - 6 L	400 V, 3N, 50 Hz	2	8	131 x 92 x 42 v	105 x 70 x 15 v	122
E - 9	400 V, 3N, 50 HZ	2	12	131 x 121 x 42 v	105 x 105 x 15 v	150
E - 8	400 V, 3N, 50 HZ	4	9,6	98 x 92 x 76 v	2x 70 x 70 x 15 v	125
E - 12	400 V, 3N, 50 HZ	4	14,4	98 x 127 x 75 v	2x 70 x 105 x 15 v	180
E - 12 L	400 V, 3N, 50 HZ	4	16	131 x 92 x 75 v	2x 105 x 70 x 15 v	232
E - 18	400 V, 3N, 50 HZ	4	24	131 x 127 x 75 v	2x 105 x 105 x 15 v	245
E-4/50	400 V, 3N, 50 HZ	2	4	83 x 66 x 41 v	55 x 55 x 15	75
E-8/50	400 V, 3N, 50 HZ	4	8	83 x 66 x 76 v	2x 55 x 55 x 150	120

## Controle van de verpakking en het apparaat

Het apparaat verlaat ons magazijn in een verpakking die voldoet aan alle voorschriften en waarop zich de vereiste symbolen en markeringen bevinden. In de verpakking bevindt zich de overeenkomstige gebruiksaanwijzing. Indien de verpakking beschadigd is of wijst op onjuist transport, dient u dit onmiddellijk te reclameren bij de transporteur door middel van ondertekening van een schadeprotocol. Latere indiening van klachten wordt niet in aanmerking genomen.

### Belangrijke aanwijzingen

Lees deze gebruiksaanwijzing aandachtig en nauwkeurig door, omdat zij belangrijke informatie bevat over veiligheidsvoorzieningen, installatie en gebruik van het apparaat.

- Het product is alleen bedoeld om binnenshuis te worden gebruikt.
- Gebruik het apparaat nooit als de stroomtoevoer of stekker beschadigd is, als het niet juist werkt, het op de grond is gevallen en beschadigd of in het water is gevallen. Breng in dergelijke gevallen het apparaat naar een gespecialiseerde service om te controleren of het apparaat veilig is en correct werkt.
- Deze aanbevelingen zijn van toepassing op dit product of productlijn.
- Deze handleiding moet zorgvuldig bewaard worden voor toekomstig gebruik.
- Zorg ervoor dat kinderen het apparaat niet kunnen bedienen.
- Wanneer u hebt apparaat verkocht of verplaatst, zorg er dan voor dat de persoon die het apparaat bedient of er de service van doet, bekend is met het gebruik en de installatie-instructies in de bijgevoegde handleiding.
- Het product mag uitsluitend worden bediend door een persoon die bekend is met deze gebruiksaanwijzingen.
- Het ingeschakelde apparaat niet zonder toezicht laten werken.
- Wij bevelen aan om het apparaat minimaal 2x per jaar een gespecialiseerde controle en onderhoudsbeurt te geven.
- Gebruik uitsluitend originele onderdelen bij eventuele reparatie of vervanging van onderdelen.
- Het apparaat mag niet schoongemaakt worden met een waterstraal of een hogedrukreiniger.
- Bij storingen of wanneer het apparaat niet goed werkt alle leidingen (water, stroom, gas) afsluiten en contact opnemen met de geautoriseerde service.
- De producent is niet aansprakelijk voor storingen die zijn veroorzaakt door incorrecte installatie, het niet in acht nemen van bovengenoemde aanbevelingen, gebruik dat niet in overeenstemming is met de bestemming van het apparaat enz.
- Het apparaat mag alleen worden gebruikt voor het doel waarvoor het is bedoeld. Elk ander gebruik is verboden en kan leiden tot gevaar of letsel
- Er moet worden gezorgd voor de strengste naleving van de brandbeveiligingsregels
- Tijdens en kort na het bedrijf zijn sommige delen van het apparaat heet
- Het is verboden om tijdens de werking andere delen van het apparaat aan te raken dan de hiervoor bedoelde bedieningselementen



## Plaatsing

De volgende richtlijnen in overeenstemming met de normen TPG G 704 01, ČSN 127040 en ČSN 127010 moeten in acht worden genomen voor de juiste werking en opstelling van het apparaat.

Pak het apparaat uit een controleer of het tijdens het transport niet is beschadigd. Plaats het apparaat op een horizontale oppervlakte (de maximale oneffenheid mag maximaal 2° bedragen). Kleine oneffenheden kunnen worden opgevangen met de stelvoeten.

Als het apparaat zodanig geplaatst is dat het in contact komt met de wanden van het meubilair, dan moeten deze bestand zijn tegen temperatuur tot 60 °C. Installatie, afstelling en inbedrijfstelling moet door een gekwalificeerd persoon uitgevoerd worden die bevoegd is voor deze handelingen in overeenstemming met de toepasselijke normen.

Het apparaat kan afzonderlijk worden geïnstalleerd of in serie met door ons geproduceerde apparaten. Er moet een minimale afstand van 10 cm tot brandbare materialen aangehouden worden. In dit geval is het ook noodzakelijk de nodige aanpassingen uit te voeren om de warmte-isolatie van de brandbare onderdelen te waarborgen.

Het apparaat mag alleen worden geïnstalleerd op een onbrandbare ondergrond of tegen een onbrandbare wand.

De kleinste vereiste luchtstroming vanuit de buitenruimte voor de apparaten van versie A ligt in het bereik van 5-20 m<sup>3</sup>/h, afhankelijk van het type apparaat. Het hangt af van de installatievoorschriften van het land van bestemming.

De door de fabrikant of zijn vertegenwoordiger beveiligde onderdelen van het apparaat mag de persoon die de installatie van het product doet, niet wijzigen.

## Installatie

Belangrijk:

De fabrikant verleent geen garantie voor storingen die zijn ontstaan als gevolg van oneigenlijk gebruik, het niet in acht nemen van de instructies in bijgevoegde gebruikershandleiding en verkeerde hantering van het apparaat.

Installatie-, aanpassings- en reparatiewerkzaamheden op het apparaat voor grote keukens, evenals hun demontage als gevolg van mogelijke schade aan de gastoevoer, kunnen alleen worden uitgevoerd op basis van een onderhoudscontract. Dit contract kan met een geautoriseerde verkoper afgesloten worden, met inachtneming van de technische voorschriften en normen en voorschriften betreffende installatie, elektrische toevoerleidingen, gasaansluiting en arbeidsveiligheid.

Technische instructies voor installatie en afstelling zijn **UITSLUITEND** bestemd om door gespecialiseerde technici te worden gebruikt.

De volgende instructies zijn bestemd voor een technicus die de juiste kwalificaties bezit voor de installatie, om te verzekeren dat hij alle handelingen op de juiste manier en in overeenstemming met de geldende normen kan uitvoeren.

Iedere handeling die te maken heeft met onder andere regulatie, moet worden uitgevoerd terwijl het apparaat is losgekoppeld van de stroomvoorziening. Indien het apparaat toch onder spanning moet staan, dient u de grootst mogelijke voorzichtigheid in acht te nemen.

Het type apparaat voor de uitvoering van afzuiging staat vermeld op het typeplaatje, dit zijn de apparaten van het type A1.

## Aansluiting van de elektrische kabel op het elektriciteitsnet

De aansluiting op het elektriciteitsnet - de voedingskabel moet zelfstandig beveiligd worden. Namelijk door de toepassing van een zekering voor nominale stroom, afhankelijk van het aansluitvermogen van het geïnstalleerde apparaat. Controleer het aansluitvermogen van het apparaat op het typeplaatje dat zich op het achterpaneel (of zijkant) van het apparaat bevindt.

De aangesloten aardkabel moet langer zijn dan de andere kabels. Sluit het apparaat direct op het elektriciteitsnet aan. Het is absoluut noodzakelijk om tussen het apparaat en het elektriciteitsnet een schakelaar te monteren die minimaal 3 mm van het enkelvoudige contact is verwijderd en die voldoet aan de geldende normen en belastingen. De aardkabel (geelgroen) mag niet door deze schakelaar worden onderbroken. Als het apparaat bedoeld is voor aansluiting in het stopcontact, sluit dit aan op het elektriciteitsnet als het stopcontact van een overeenkomstige zekering voorzien is.

De voedingskabel moet dusdanig worden bevestigd, dat hij op geen enkel punt warmer kan worden dan 50 °C boven de omgevingstemperatuur. Voordat u het apparaat aansluit op het elektriciteitsnet moet u controleren of:

- de voedingszekering en de stroomverdeler de stroombelasting van het apparaat verdragen (zie het matrixplaatje),
- het distributiepaneel is uitgerust met een aarding volgens de normen (ČSN) en de wettelijke voorschriften
- het stopcontact of de schakelaar in de voeding goed bereikbaar zijn vanaf het apparaat
- elektrische voedingleiding naar het apparaat moet gemaakt zijn van oliebestendig materiaal

We zijn niet aansprakelijk wanneer deze normen en de bovengenoemde principes niet in acht worden genomen.

Maak voor het eerste gebruik het apparaat schoon, zie het hoofdstuk „Reiniging en onderhoud“. Het apparaat moet geaard worden met behulp van de schroef met een aardingsmarkering.

- Dit label geeft het aardingspunt van het apparaat aan
- Steek de stekker van de voedingskabel niet in het stopcontact en trek ze niet uit het stopcontact met natte handen en door aan de voedingskabel te trekken!
- Gebruik geen verlengsnoeren of blok contactdozen.
- Het aansluitpunt van het net moet maximaal de ondervermelde impedantie  $Z_{MAX}$  conform ČSN EN 61000-3-11:2001 hebben.  $Z_{MAX} = 0,042 + j 0,026 \Omega$  voor fasegeleiders en  $0,028 + j 0,017 \Omega$  voor nulgeleider



- Dit label geeft het risico van een elektrische schok aan

## **Veiligheidsvoorzieningen in verband met brandpreventie conform ČSN 061008 art. 21**

- het apparaat mag uitsluitend door volwassenen bediend worden
- het apparaat kan veilig gebruikt worden in overeenstemming van de volgende normen:  
ČSN 33 2000-4-482: Brandbeveiliging in gebieden met een speciaal risico of gevaar  
ČSN 33 2000-4-42: Bescherming tegen invloeden van warmte
- het apparaat moet zo worden geplaatst dat het stevig staat of hangt op een vuurbestendige ondergrond  
Op of naast het apparaat mogen zich geen brandbare voorwerpen bevinden binnen de veilige afstand die voor het apparaat is vastgesteld (de kleinste afstand tot brandbare materialen bedraagt 10 cm).

Tabel: De mate van brandbaarheid van bouwmaterialen (ČSN 730823) weergegeven per substantie en product

Mate van brandbaarheid	Bouwmaterialen
A – niet brandbaar	Graniet, zandsteen, beton, baksteen, keramische bekleding, pleisterwerk
B – heel moeilijk brandbaar	Acuminiet, heracliet, lihnos, itaver
C1 – moeilijk brandbaar	Hout, loofhout, fineer, sirkoklit, verstevigd papier, umakart
C2 – gemiddeld brandbaar	Spaanplaat, solodur, kurkplaat, harde rubber, vloerbedekking
C3 – zeer brandbaar	Vezelplaat, polystyreen, polyurethaan, PVC

- Informatie over mate van brandbaarheid van gewone bouwmaterialen staan in de tabel hieronder. Installeer het apparaat op veilige wijze. Neem bij de installatie de voorschriften voor ontwerp, veiligheid en arbeidshygiëne in acht overeenkomstig:
  - ČSN 06 1008 brandveiligheid van lokale apparaten en warmtebronnen
  - ČSN 33 2000-4-482 brandbeveiliging in gebieden met een speciaal risico of gevaar
  - ČSN 33 2000-4-42 bescherming tegen invloeden van warmte

# GEBRUIKSAANWIJZING

Opgelet! Voordat u het apparaat gebruikt, moet u de beschermende folie van het gehele oppervlak verwijderen, het vervolgens goed met water en afwasmiddel wassen en daarna met een vochtige doek afnemen

Om het apparaat in bedrijf te nemen, draai de hoofdschakelaar (A) naar de positie “I” volgens het plaatje op de schakelaar. Het apparaat staat nu onder spanning. Met de thermostaatregelknoppen kunt u onafhankelijk de bovenste (C) en de onderste (B) verwarmingselementen regelen. Deze worden ingeschakeld na het instellen van de gewenste temperatuur. De actieve verwarmingselementen worden door het oplichten van de lampjes (D) voor het bovenste en onderste ovenruimte gesignaleerd. Om de verwarmingselementen uit te zetten, zet de thermostaat voor de opgegeven ovenruimte op een temperatuur van 0 °C. Om het apparaat uit te schakelen, zorg ervoor dat de verwarmingselementen uitgeschakeld zijn en draai daarna de hoofdschakelaar in de “0”-stand.

Voor het eerste gebruik moet u de temperatuur op 150 °C instellen en de oven gedurende 30 minuten verwarmen.

Nadat de oven op deze manier voorbereid is, kunt u beginnen met de gewone bediening.



- (A) MAIN SWITCH
- (B) UPPER HEATING ELEMENT THERMOSTAT
- (C) LOWER HEATING ELEMENT THERMOSTAT
- (D) HEATING ELEMENT PILOT LIGHTS
- (E) INTERIOR LIGHTING SWITCH
- (F) THERMOMETER
- (G) VALVE DRAW-ROD
- (H) DOOR HANDLES

## Operationele aanbevelingen

Bij het bakken moet u de pizza's controleren en indien nodig omdraaien zodat ze gelijkmatig gebakken worden.

- Schakel bij het starten van het bakproces de kamer in met de thermostaten op maximaal gedraaid. Nadat de oven is opgewarmd, zet u de thermostaten op bedrijfstemperatuur.
- De ingestelde temperatuur op de bovenste en onderste thermostaat is meestal niet identiek (een lagere temperatuur op de onderste thermostaat).
- Als de oven wordt ingeschakeld en leeggemaakt, stijgt de temperatuur van de vuurvaste kleiplakken vanaf de bovenste verwarmingselementen.
- In ovens met twee verdiepingen wordt de warmte overgedragen tussen de bovenste en onderste kamers.
- Maak de vuurklei platen regelmatig schoon met de juiste apparatuur.
- Voor elke oven kan een basisset gereedschap worden aangeschaft.
- Schakel het licht alleen in tijdens het bakken, dit verlengt de levensduur van de gloeilampen.
- Als er teveel stoom wordt geproduceerd in het werkgebied, kan deze worden vrijgegeven door het stoomvat te openen met de trekstang (pos. G, afb. 1).

## REINIGING EN ONDERHOUD

Het apparaat moet ten minste 2x per jaar door een gespecialiseerde service gecontroleerd worden. Alle ingrepen aan het apparaat mogen slechts door een gekwalificeerd persoon worden uitgevoerd, die daartoe bevoegd is.

**OPGELET!** Het apparaat mag niet schoongemaakt worden met een directe waterstraal of met een hogedrukreiniger. Maak het apparaat elke dag schoon. Dankzij het dagelijks onderhoud bent u verzekerd van een lange levensduur en de efficiëntie van het apparaat. Controleer voordat u begint met schoonmaken of het apparaat is losgekoppeld van het elektriciteitsnet. Onderbreek altijd de stroomvoorziening van het apparaat. Maak de elementen van roestvrijstaal schoon met een vochtige doek en een klein beetje schoonmaakmiddel zonder schurende deeltjes en droog met een doek. Gebruik geen schurende of corrosieve schoonmaakmiddelen.

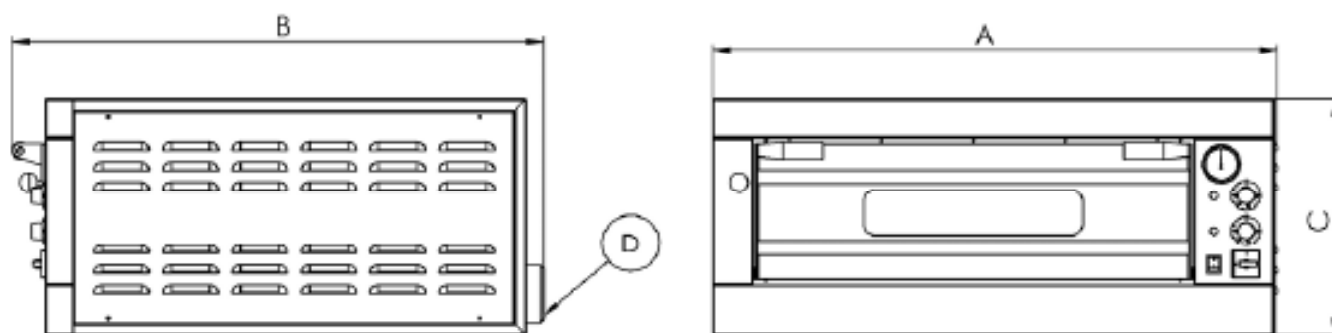
**Opgelet!** Voordat u het apparaat gebruikt, moet u de beschermende folie van het gehele oppervlak verwijderen, het vervolgens goed met water en schoonmaakmiddel wassen en daarna met een vochtige doek afnemen.

**Maatregelen bij storingen** Onderbreek de stroom-/gasvoorziening en neem contact op met de serviceafdeling van de verkoper.

De garantie dekt niet alle verbruiksartikelen die onderhevig zijn aan normale slijtage (rubber dichtingen, lampjes, glazen en plastic onderdelen enz.). De garantie strekt zich ook niet uit over apparaten die niet zijn geïnstalleerd door bevoegde personen in overeenstemming met de instructies in de gebruiksaanwijzing en de van toepassing zijnde normen en indien het apparaat onjuist is behandeld (ingrepen in binnenapparatuur enz.) of indien het apparaat bediend is door ongetraind personeel en in de strijd met de gebruiksaanwijzing. Verder dekt de garantie geen schade veroorzaakt door natuurlijke verschijnselen of andere externe invloeden.

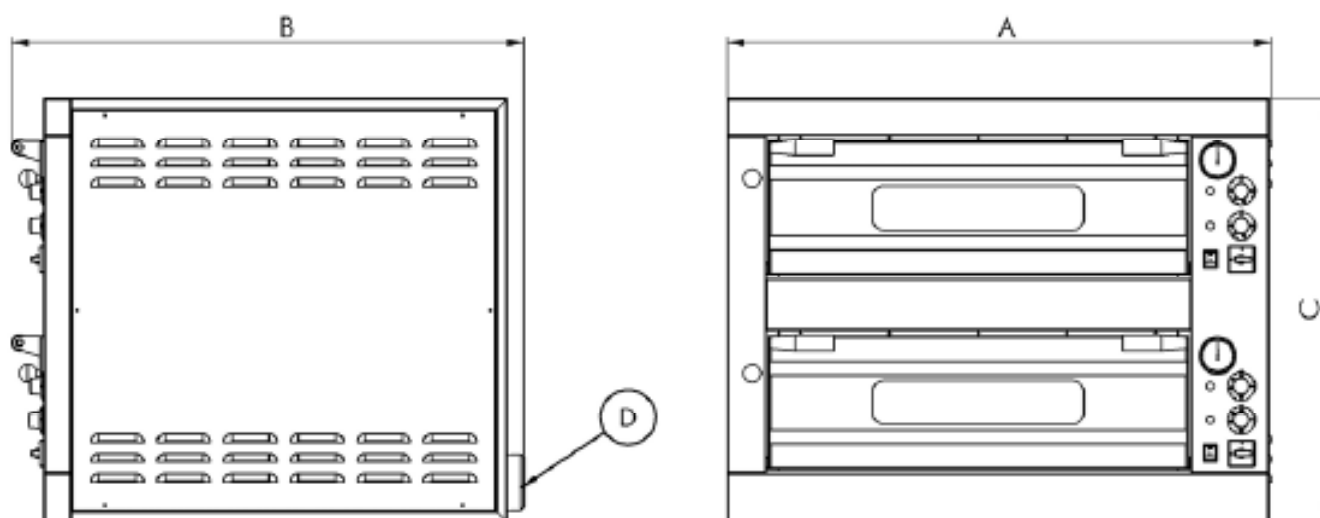
De transportverpakkingen en apparaten moeten aan het einde van hun levensduur aan een inzamelplaats overhandigd worden, in overeenstemming met de voorschriften voor afval en gevaarlijk afval beheer.

**DIMENSION PLANS / MASSKIZZEN / DIMENSIONS**  
**E - 4, 6, 6L, 9, 9L**



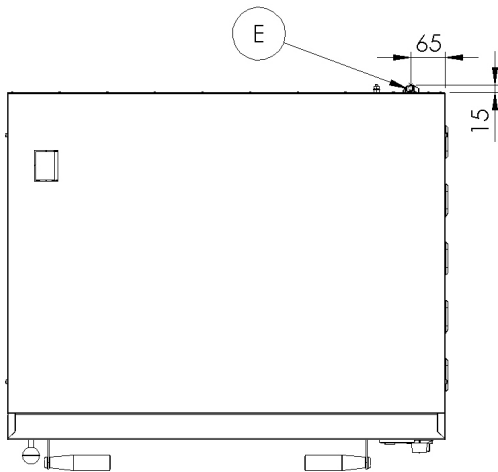
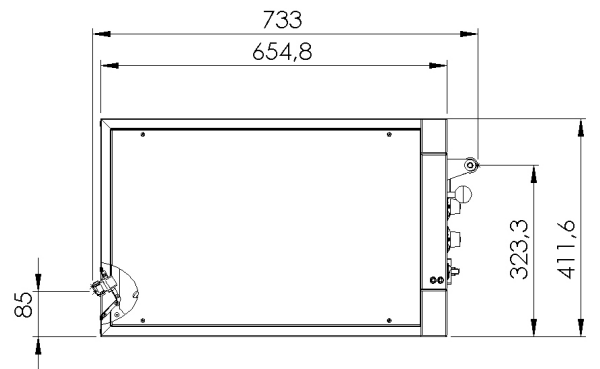
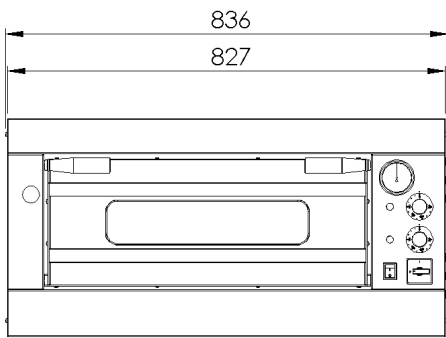
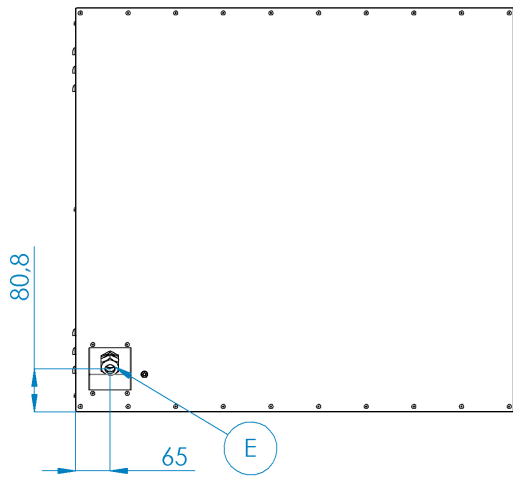
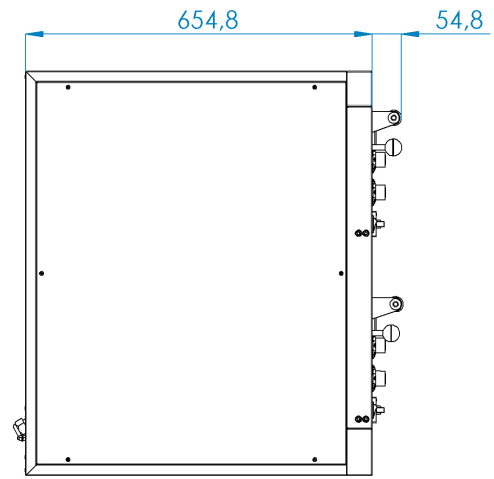
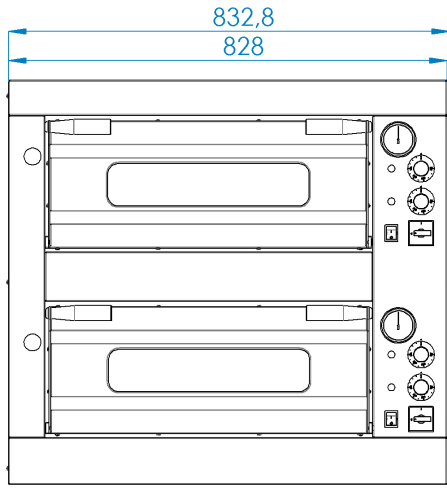
TYPE	A (CM)	B (CM)	C (CM)
E - 4	98	92	42
E - 6	98	127	42
E - 6 L	131	92	42
E - 9	131	127	42

**DIMENSION PLANS / MASSKIZZEN / DIMENSIONS**  
**E - 8, 12, 12L, 18**

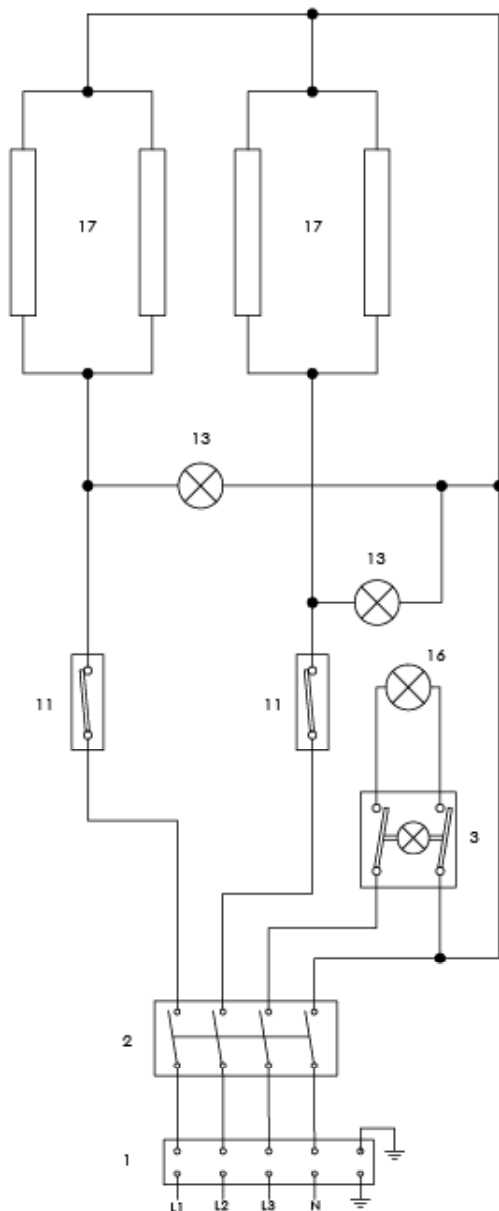


TYPE	A (CM)	B (CM)	C (CM)
E - 8	98	92	78
E - 12	98	127	75
E - 12 L	131	92	75
E - 18	131	127	75



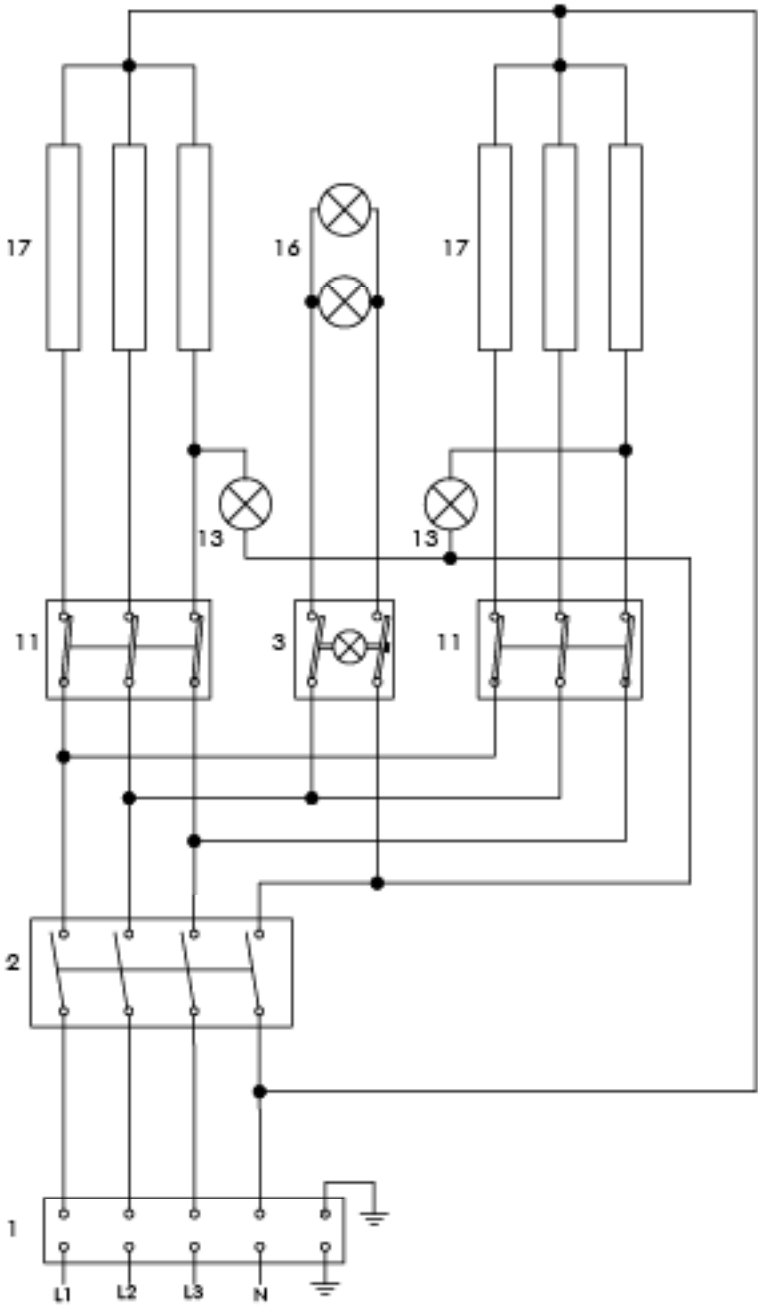


**EL. CONNECTION DIAGRAM / SCHALTPLAN / SCHÉMA DU ELECTRIQUE  
E - 4**

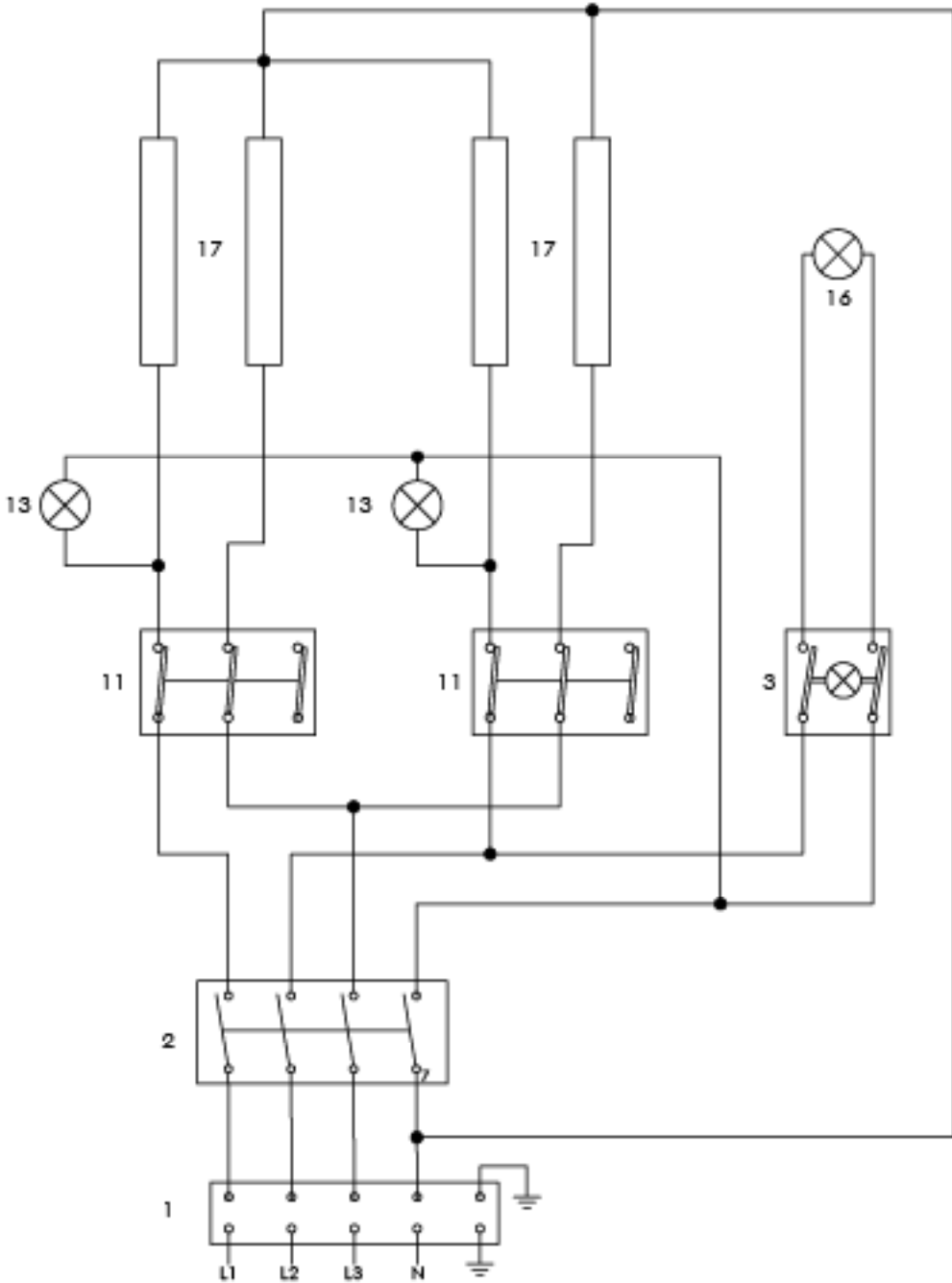


	 ENGLISH 	 DEUTSCH 	 FRANÇAIS 
1	TERMINAL BOARD	KLEMMSBRETT	TABLETTE A BORNES
12	SAFETY THERMOSTAT	SICHERHEITSTHERMOSTAT	THERMOSTAT DE SECURITÉS
2	BACKLIT SWITCH	LEUCHTSCHALTER	INTERUPTEUR PRINCIPAL
11	THERMOSTAT	TERMOSTAT	THERMOSTAT
13	ORANGE CONTROL LIGHT	ORANGEKONTROLLEUCHT	VOYANTE ORANGE
14	GREEN CONTROL LIGHT	GRÜNES KONTROLLEUCHT	VOYANTE VERT
17	HEATING ELEMENT	HEIZELEMENT	RÉCHAUFFER
8	CONTACTOR	SCHÜTZ	CONTACTEUR
9	CONTACTOR COIL	SCHÜTZSPULE	BOBINE DU CONTACTEUR

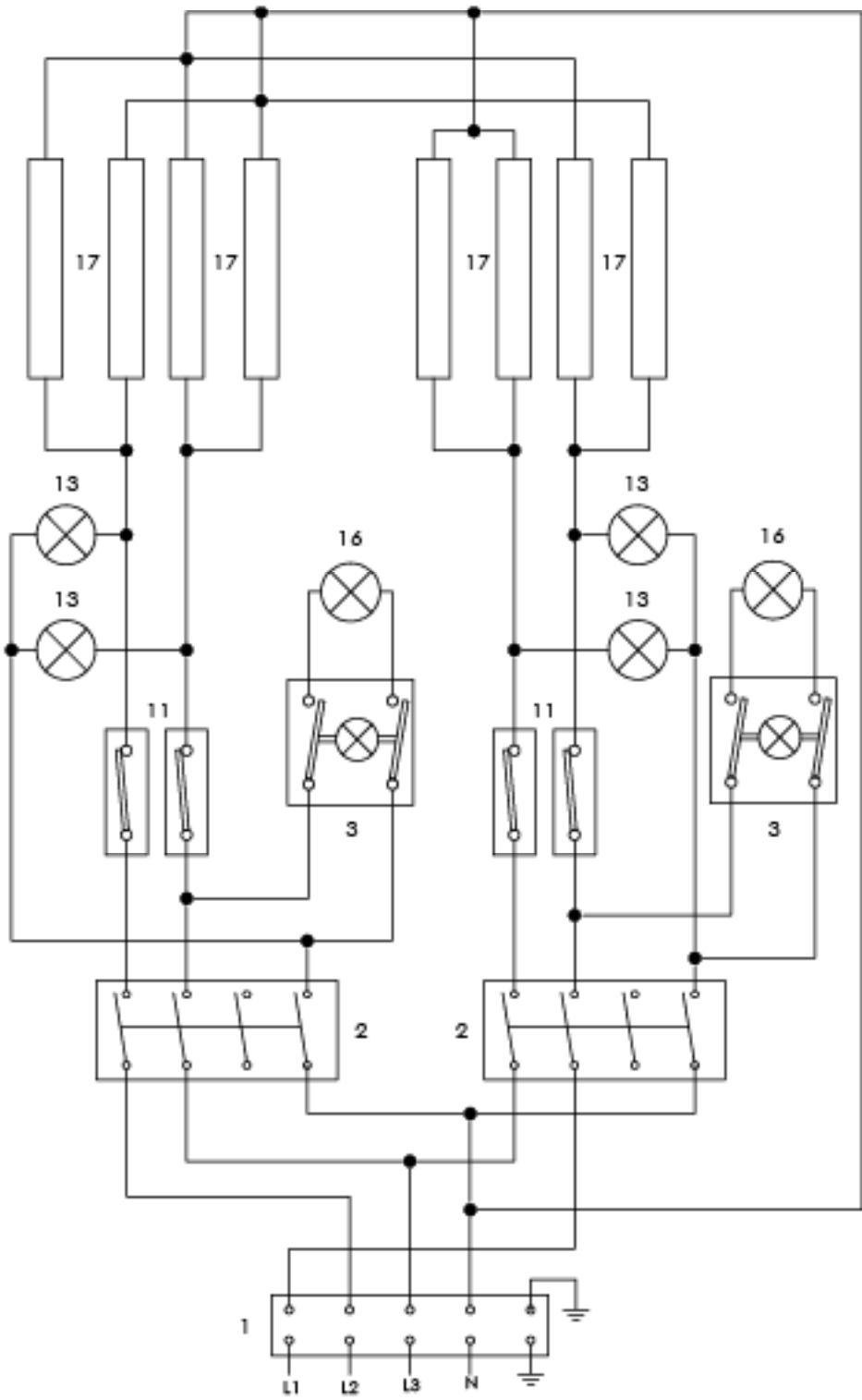
**EL. CONNECTION DIAGRAM / SCHALTPLAN / SCHÉMA DU ELECTRIQUE**  
**E - 6/9**



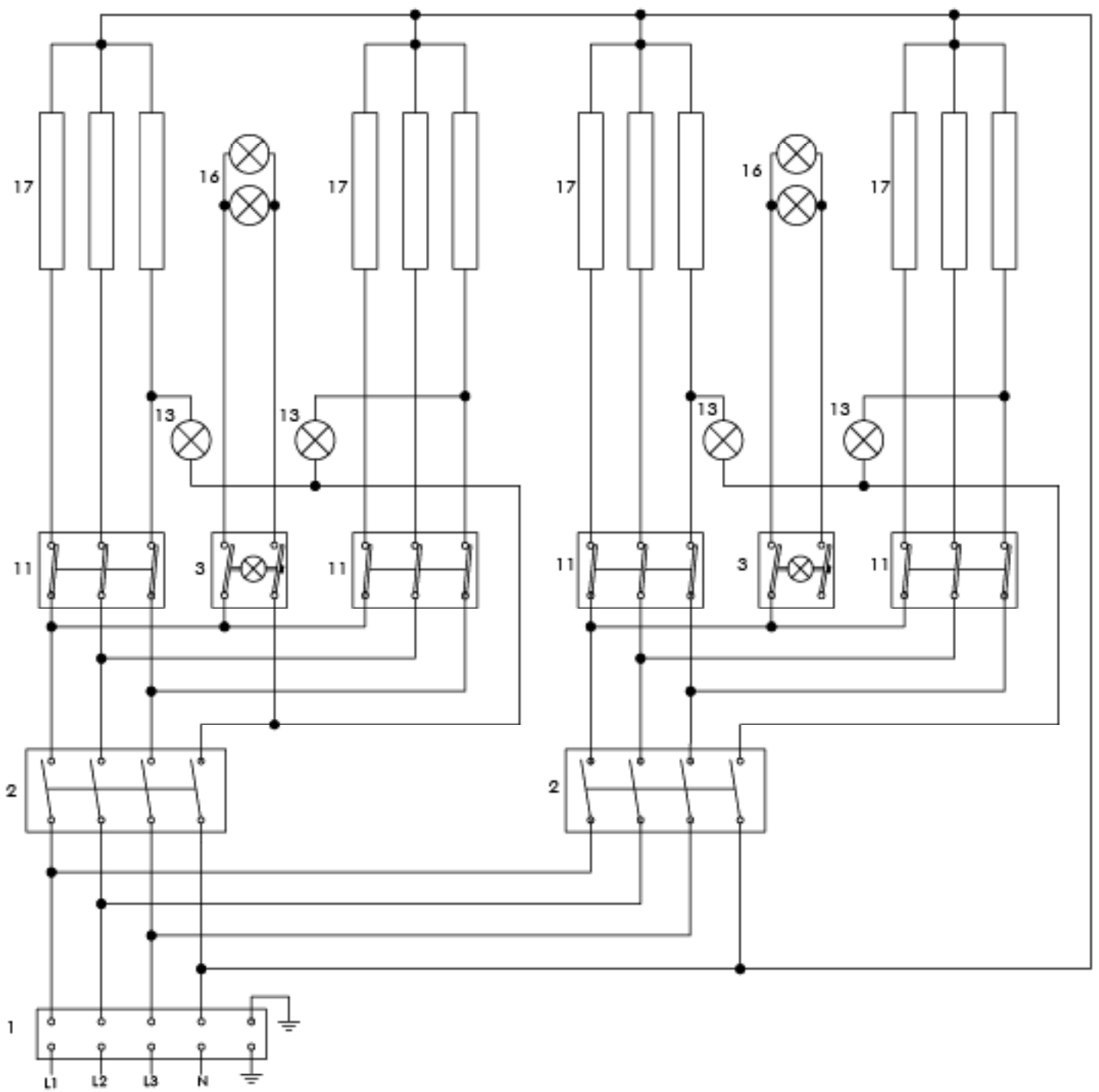
**EL. CONNECTION DIAGRAM / SCHALTPLAN / SCHÉMA DU ELECTRIQUE  
E - 6L**



**EL. CONNECTION DIAGRAM / SCHALTPLAN / SCHÉMA DU ELECTRIQUE**  
**E - 8**

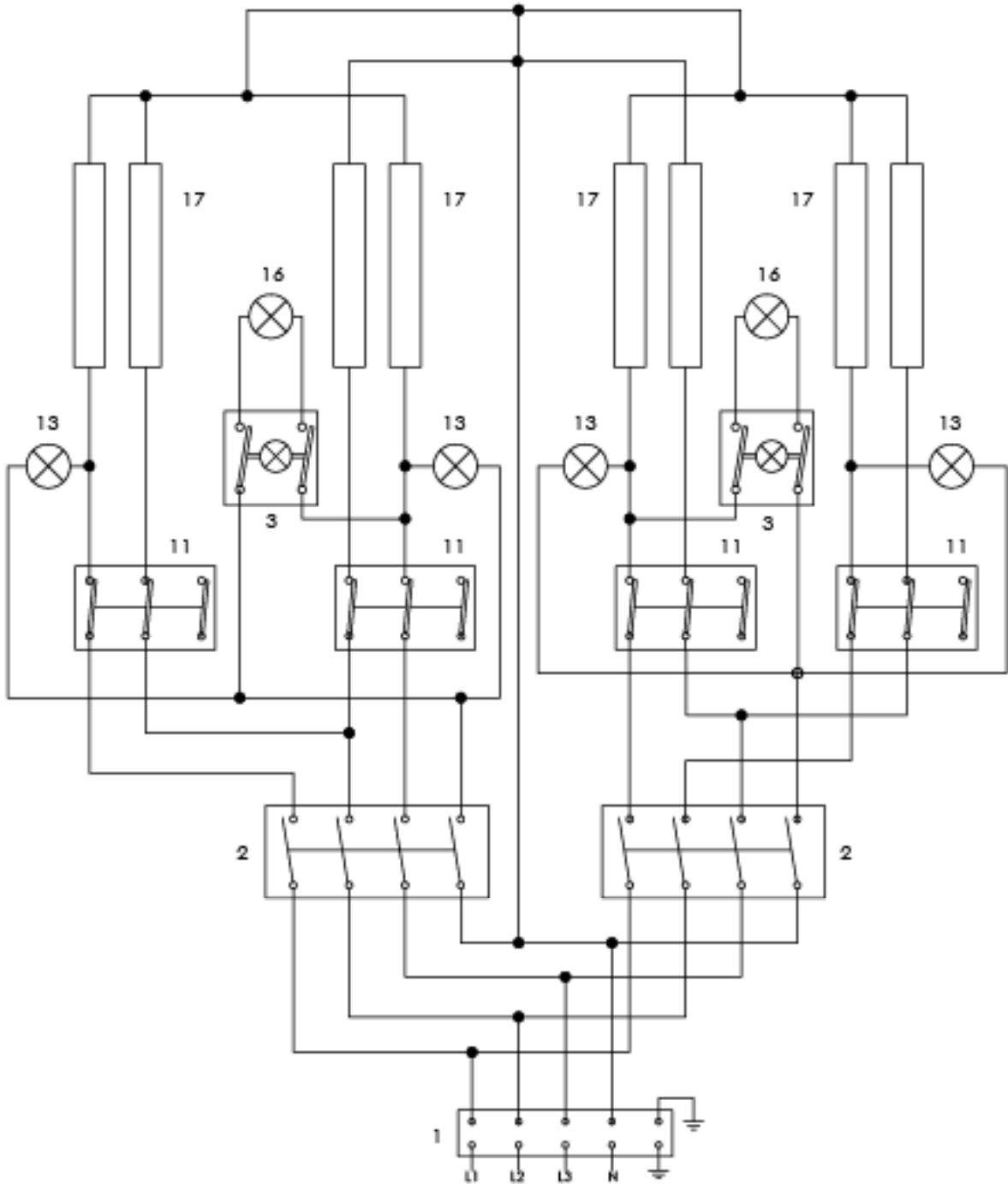


**EL. CONNECTION DIAGRAM / SCHALTPLAN / SCHÉMA DU ELECTRIQUE**  
**E - 12/18**

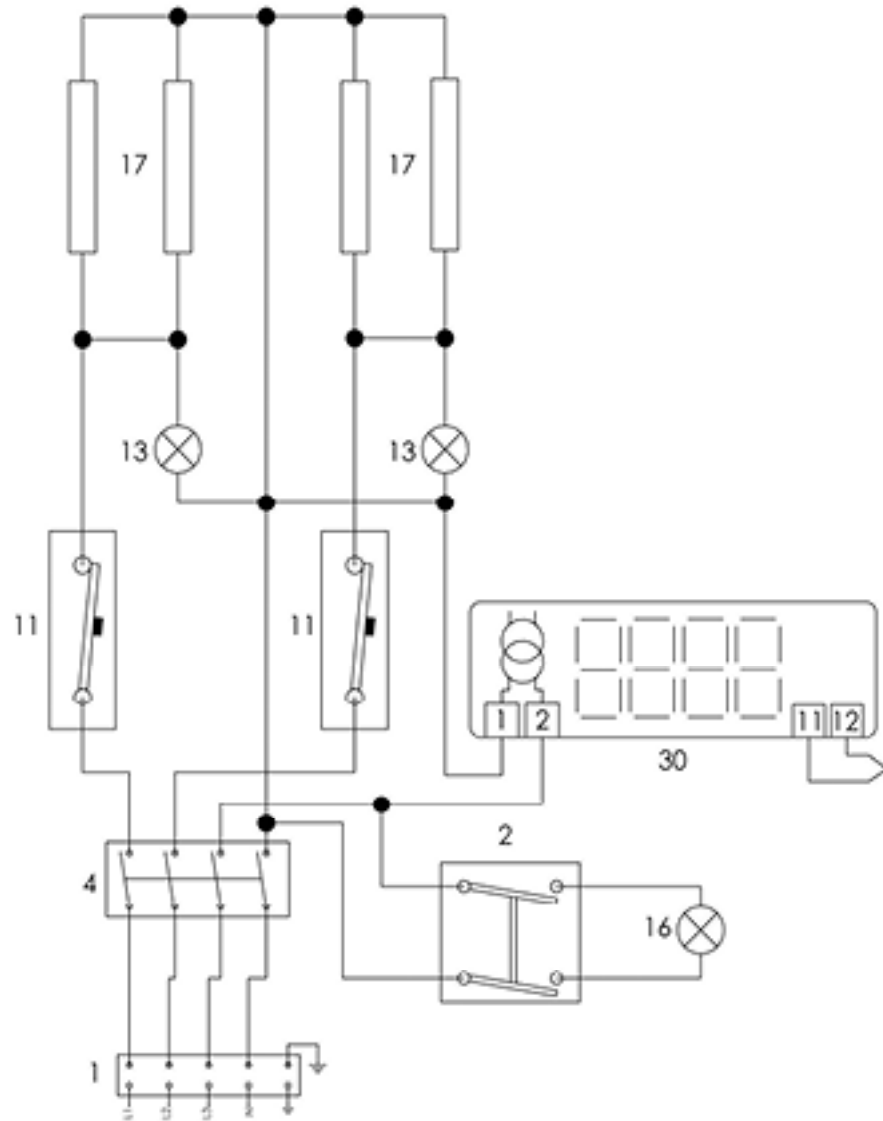


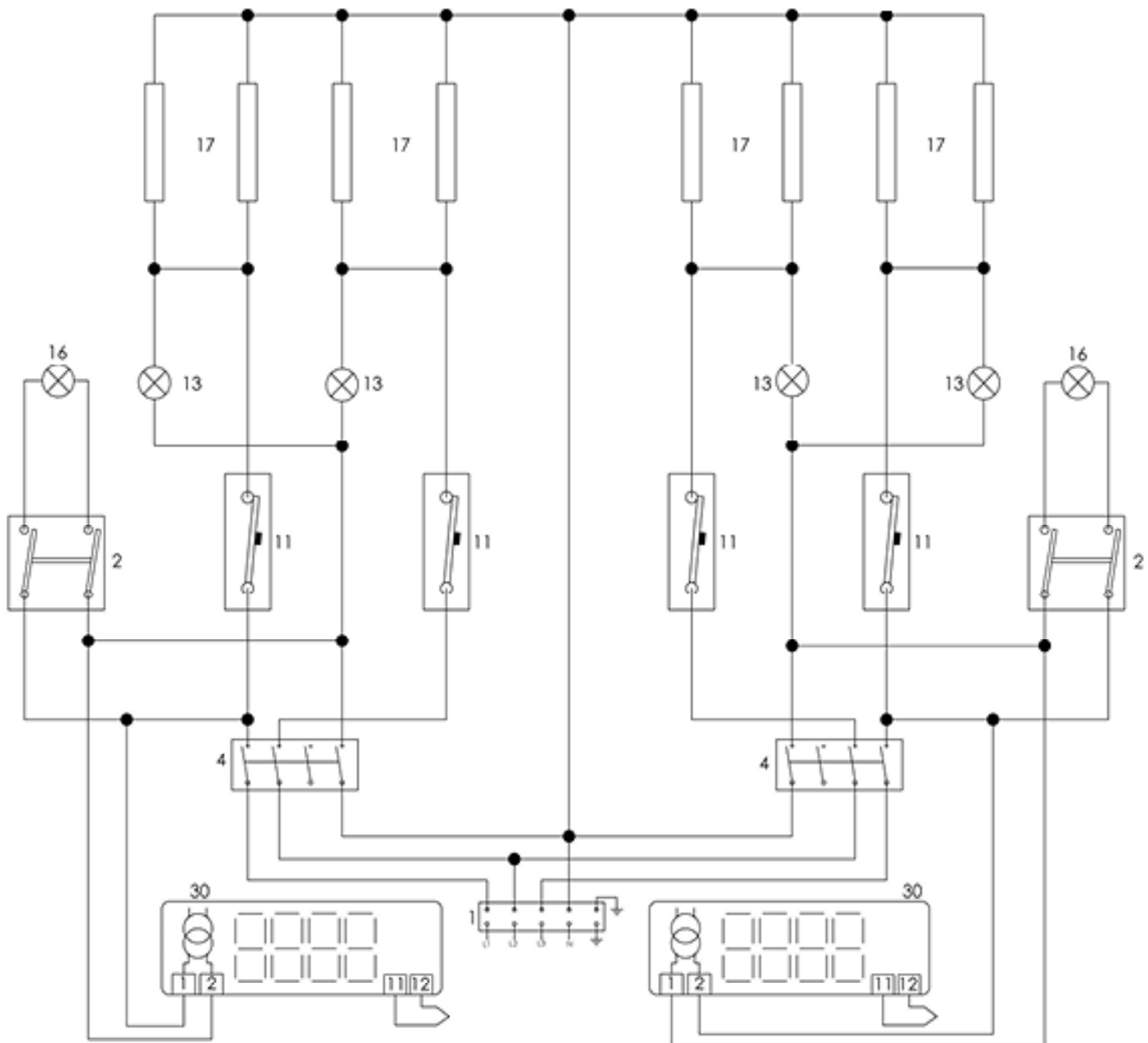


**EL. CONNECTION DIAGRAM / SCHALTPLAN / SCHÉMA DU ELECTRIQUE  
E - 12L**



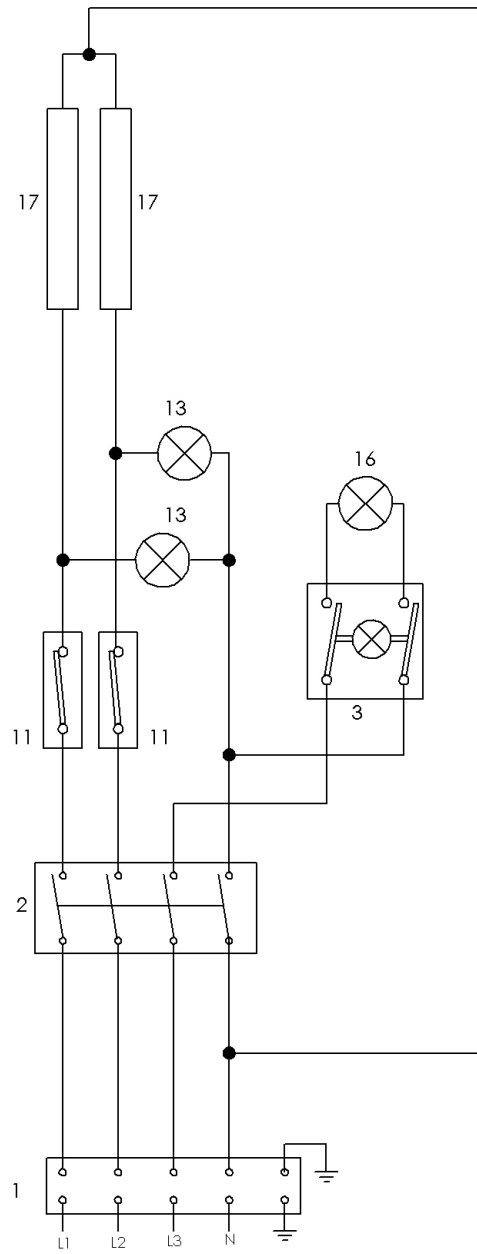
**EL. CONNECTION DIAGRAM / SCHALTPLAN / SCHÉMA DU ELECTRIQUE**  
**E - 4 digital**



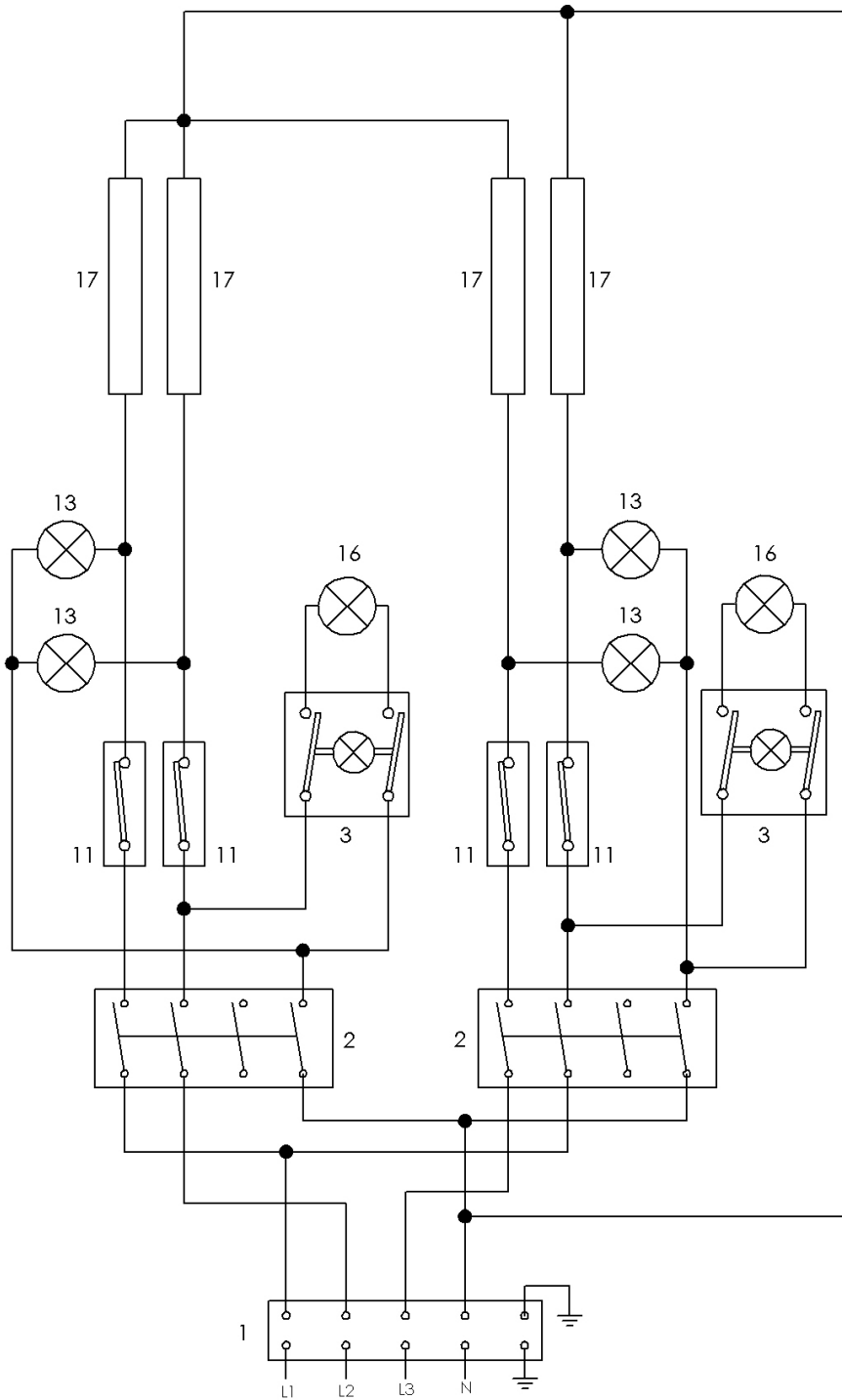




**EL. CONNECTION DIAGRAM / SCHALTPLAN / SCHÉMA DU ELECTRIQUE**  
**E - 4/50**



**EL. CONNECTION DIAGRAM / SCHALTPLAN / SCHÉMA DU ELECTRIQUE**  
**E - 8/50**





## PROHLÁŠENÍ O SOULADU S NORMAMI

Výrobce prohlašuje, že přístroje splňují základní požadavky směrnice 2004/108/ES (nařízení vlády č. 616/2006 Sb.) a požadavky směrnice 2006/95/ES (nařízení vlády č. 17/2003 Sb.).

Pozor, výrobce se vzdává jakékoli odpovědnosti v případě přímých i nepřímých poškození, které se vztahují ke špatné instalaci, nesprávným zásahem nebo úpravami, nedostatečnou údržbou, nesprávným používáním, a které jsou eventuálně způsobeny jinými příčinami, jež uvádí body uvedené v podmínkách prodeje. Tento spotřebič je určen pouze pro odborné používání a musí být obsluhován kvalifikovanými osobami. Části, které byly po nastavení zajištěny výrobcem nebo pověřeným pracovníkem, nesmí uživatel přestavovat.

## TECHNICKÁ DATA

Štítek s technickými údaji je umístěn na boku či zadním panelu přístroje. Před instalací si prostudujte elektrické schéma zapojení a všechny následující informace.

Typ výrobku	Napětí (V / Hz)	Počet termostatů (ks)	Příkon max. (kW)	Rozměr (cm)	Rozměr komory (cm)
E - 4	400 / 3N / 50	2	4,8	98 x 92 x 42 v	70 x 70 x 15 v
E - 6	400 / 3N / 50	2	7,2	98 x 121 x 42 v	70 x 105 x 15 v
E - 6 L	400 / 3N / 50	2	8,0	131 x 92 x 42 v	105 x 70 x 15 v
E - 8	400 / 3N / 50	4	9,6	98 x 92 x 76 v	2x 70 x 70 x 15 v
E - 9	400 / 3N / 50	2	12	131 x 127 x 42 v	105 x 105 x 15 v
E - 12	400 / 3N / 50	4	14,4	98 x 121 x 76 v	2x 70 x 105 x 15 v
E - 12 L	400 / 3N / 50	4	16,0	131 x 92 x 76 v	2x 105 x 70 x 15 v
E - 18	400 / 3N / 50	4	24,0	131 x 127 x 76 v	2x 105 x 105 x 15 v
E - 4/50	400 / 3N / 50	2	4	83 x 65 x 41 v	55 x 55 x 15 v
E - 8/50	400 / 3N / 50	4	8	83 x 65 x 76 v	2x 55 x 55 x 15 v

## KONTROLA OBALU A ZAŘÍZENÍ

Zařízení opouští naše sklady v řádném obalu, na kterém jsou odpovídající symboly a označení. V obalu se nachází odpovídající návod k obsluze. Jestliže by obal měl vykazovat špatné zacházení, známky poškození, musí se okamžitě reklamovat u přepravce a to sepsáním a podepsáním protokolu o škodě. Na pozdější reklamace nebude brán zřetel.

### Důležité upozornění

Tento návod musí být řádně a pozorně přečten, protože obsahuje důležité informace o bezpečnostních prvcích, instalaci a použití.

- Tato doporučení se vztahují na tento výrobek, nebo produktovou linii.
- Tento návod se musí řádně uschovat pro budoucí použití.
- Zabraňte dětem manipulovat s přístrojem.
- Při prodeji nebo přemístění je nutno se přesvědčit, že obsluha nebo odborný servis se seznámil s ovládáním a instalačními pokyny v příloženém návodu.
- Výrobek smí obsluhovat pouze obsluha, která se seznámila s tímto návodem k použití.
- Nesmí být spuštěn bez dozoru.
- Doporučuje se kontrola odborným servisem minimálně 2x ročně.
- Při eventuální opravě nebo výměně dílů musí být použity originální náhradní díly.
- Výrobek se nesmí čistit proudem vody nebo tlakovou sprchou.
- Při poruše nebo špatném chodu výrobku je nutné odpojit veškeré přívody (voda, elektřina, plyn) a zavolat autorizovaný servis.
- Výrobce se vzdává jakékoli zodpovědnosti při poruchách způsobenými chybnou instalací, nedodržením shora uvedených doporučení, jiným užíváním apod.
- Přístroj se smí používat pouze k účelu, ke kterému je určený, jiné použití je zakázané a může vést ke vzniku nebezpečí či úrazu
- Musí být zajištěno nejprísnější dodržování pravidel protipožární ochrany

## UMÍSTĚNÍ

Ke správné činnosti a umístění spotřebiče je nutné dodržet následující směrnice dle norem TPG G 704 01, ČSN 127040 a ČSN 127010.

Rozbalte přístroj a zkontrolujte, zda se přístroj nepoškodil během přepravy. Umístěte přístroj na vodorovnou plochu (maximální nerovnost do 2°). Drobné nerovnosti lze vyrovnat regulovatelnými nožičkami.

Jestliže zařízení bude umístěno tak, že bude v kontaktu se stěnami nábytku, tyto musí odolávat teplotě až 60°C. Instalaci, seřízení, uvedení do provozu musí provést kvalifikovaná osoba, která má k takovýmto úkonům oprávnění a to dle platných norem.

Přístroj může být instalován samostatně nebo v sérii s přístroji naší výroby. Je nutno dodržovat minimální vzdálenost 10 cm od hořlavých materiálů. V tomto případě je nutné zabezpečit odpovídající úpravy, aby byla zabezpečena tepelná izolace hořlavých částí.

Spotřebič se musí instalovat pouze na nehořlavém povrchu nebo u nehořlavé stěny.

### BEZPEČNOSTNÍ OPATŘENÍ Z HLEDISKA POŽÁRNÍ OCHRANY PODLE ČSN 061008 ČL. 21

- obsluhu spotřebiče smí provádět pouze dospělé osoby
- spotřebič smí být bezpečně používán v souladu s normami:  
ČSN 33 2000-4-482: Ochrana proti požáru v prostorách se zvláštním rizikem nebo nebezpečím  
ČSN 33 2000-4-42: Ochrana před účinky tepla

- spotřebič je nutné umístit tak, aby stál nebo visel pevně na nehořlavém podkladu

**Na spotřebič a do vzdálenosti menší než bezpečná vzdálenost od něho nesmějí být kladeny předměty z hořlavých hmot (nejmenší vzdálenost spotřebiče od hořlavých hmot je 10 cm).**

Tabulka: stupeň hořlavosti stavební hmoty zařazené do st. hořlavosti (ČSN 730823) hmot a výrobků

Stupeň hořlavosti	Stavební hmoty
A - nehořlavé	žula, pískovec, betony, cihly, keramické obkladačky, omítky
B - nesnadno hořlavé	akumin, heraklit, lihnos, itaver
C1 - těžce hořlavé	dřevo, listnaté, překližky sirkoklit, tvrzený papír, umakart
C2 - středně hořlavé	dřevotřískové desky, solodur, korkové desky, pryž, podlahoviny
C3 - lehce hořlavé	dřevovláknité desky, polystyrén, polyureten, PVC

• informace o stupni hořlavosti běžných stavebních hmot uvádí tabulka níže. Spotřebiče musí být instalovány bezpečným způsobem. Při instalaci musí být dále respektovány příslušné projektové, bezpečnostní a hygienické předpisy dle:

- ČSN 06 1008 požární bezpečnost lokálních spotřebičů a zdrojů tepla
- ČSN 33 2000-4-482 ochrana proti požáru v prostorách se zvláštním rizikem nebo nebezpečím
- ČSN 33 2000-4-42 ochrana před účinky tepla

## INSTALACE

### **Důležité:**

Výrobce neposkytuje žádnou záruku na závady, vzniklé v důsledku nesprávného používání, nedodržování instrukcí obsažených v příloženém návodu k použití a špatným zacházením se spotřebiči.

Instalaci, úpravy a opravy spotřebičů pro velkokuchyně, tak jako i jejich demontáž z důvodu možného poškození přívodu plynu, mohou být prováděny pouze na základě smlouvy o údržbě, tato smlouva může být uzavřena s autorizovaným prodejcem, přičemž musí být dodržovány technické předpisy a normy a předpisy týkající se instalace, elektrického přívodu, plynové přípojky a bezpečnosti práce.

Technické instrukce pro instalaci a seřízení, k použití POUZE pro specializované techniky.

Instrukce, které následují, se obrací k technikovi kvalifikovanému pro instalaci, aby provedl všechny operace způsobem co nejkorektnějším a podle platných norem.

Jakákoli činnost spojená s regulací apod. musí být vykonána pouze se zařízením odpojeným ze sítě. Je - li nutno udržovat spotřebič pod napětím je nutno dbát nejvyšší opatrnosti.

Typ spotřebiče pro provedení odtahu je deklarován na typovém štítku, jedná se o spotřebiče typu A1.

## PŘIPOJENÍ ELEKTRICKÉHO KABELU DO SÍTĚ

Instalace elektrického přívodu - tento přívod musí být samostatně jištěn. A to odpovídajícím jističem jmenovitého proudu v závislosti na příkonu instalovaného přístroje. Příkon přístroje zkontrolujte na výrobním štítku na zadním panelu (či boku) přístroje.

Připojený zemnicí vodič musí být delší než ostatní vodiče. Přístroj připojte přímo na síť, je nezbytné vložit mezi spotřebič a síť vypínač s minimální vzdáleností 3mm mezi jednotlivými kontakty, který odpovídá platným normám a zatížením. Přívod uzemnění (žlutozelený) nesmí tímto spínačem být přerušen. Přístroj určený pro připojení do zásuvky, připojte do sítě pokud má zásuvka odpovídající jištění.

V každém případě přívodní kabel musí být umístěn tak, že v žádném bodě nedosáhne teploty o 50 stupňů vyšší než prostředí. Než bude spotřebič připojen do sítě, je nutné se nejprve ujistit, že:

- přívodní jistič a vnitřní rozvod snesou proudové zatížení spotřebiče (viz štítek matrice)
- rozvod je vybaven účinným uzeměním podle norem (ČSN) a podmínek daných zákonem
- zásuvka nebo vypínač v přívodu jsou dobře přístupné od spotřebiče
- elektrický přívod do zařízení musí být z olejovzdorného materiálu

**Vzdáváme se jakékoli zodpovědnosti v případě, že tyto normy nebudou respektovány a v případě porušení výše uvedených zásad.**

**Před prvním použitím musíte přístroj vyčistit viz. kapitola „čištění a údržba“. Spotřebič musí být uzemněn pomocí šroubu se značkou uzemnění.**



- Tato etiketa označuje uzemňovací bod zařízení



# NÁVOD K POUŽITÍ

**Pozor!** Než-li začnete přístroj používat, je nutné z celého povrchu sejmout ochranné fólie, a pak jej dobře omýt vodou se saponátem na nádobí, a poté otřít vlhkým hadrem. Před zahájením pečení nechte běžet pec cca 4 hodiny na 300 °C, aby se vypálily zbytky konzervačních přípravků.

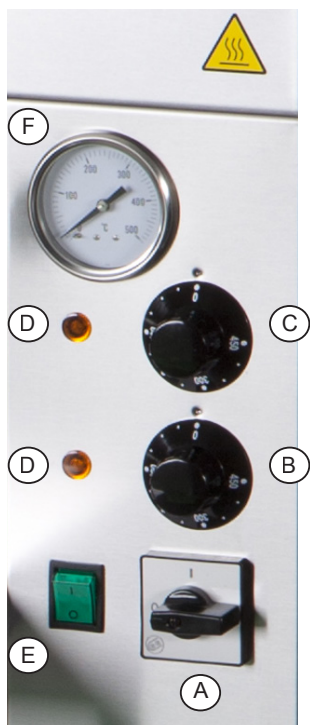
Přístroj uvedete do provozu otočením hlavního vypínače (A) do stavu „I“ dle etikety na vypínači. Poté je přístroj pod napětím. Pomocí regulačních knoflíků termostatů můžete nezávisle regulovat horní (C) a dolní (B) topná tělesa, která se po nastavení požadované teploty uvedou do provozu. Topící tělesa signalizuje rozsvícení kontrolky (D) pro horní a spodní část komory. Pro vypnutí ohřevu topných těles nastavte termostat pro určené patro na teplotu 0°C. Vnitřní osvětlení komory se zapíná pomocí prosvětleného vypínače (E), sepnutím do stavu „I“ a jeho vypnutí do stavu „0“. Osvětlení funguje pouze, pokud je přístroj uveden do provozu pomocí hlavního vypínače (A). Pro vypnutí zařízení se ujistěte, že vnitřní osvětlení a topná tělesa jsou vypnuta, poté hlavní vypínač otočte do stavu „0“.

**Před prvním použitím je nutné nastavit teplotu na 300 °C a nechat pec běžet 4 hodin. Po tomto vypálení pece je možné přistoupit k běžnému provozu.**

## Provozní doporučení

- Během pečení je nutné kontolovat stav pizz a popřípadě je pootočit, z důvodu stejnoměrného propečení.
- Při zahájení pečení zapnout komoru a termostaty nastavit na maximum. Po vyhřátí nastavit termostaty na provozní teplotu.
- Teplota nastavená na horním a dolním termostatu není většinou shodná. (Nižší teplota na dolním termostatu).
- Při zapnuté a prázdné peci roste teplota šamotových desek od horních těles.
- U dvoupatrových pecích dochází k přenosu tepla mezi horní a dolní komorou a naopak.
- Pravidelně čistěte šamotové desky příslušným nářadím.
- Ke každé peci lze přikoupit základní sadu nářadí.
- Světlo zapínejte pouze při pečení, zvýšíte tím životnost žárovek.
- Při přílišném vývinu páry v pracovním prostoru je možné otevřít pro její odvod parní klapkou s ovládacím táhlem na levé straně.

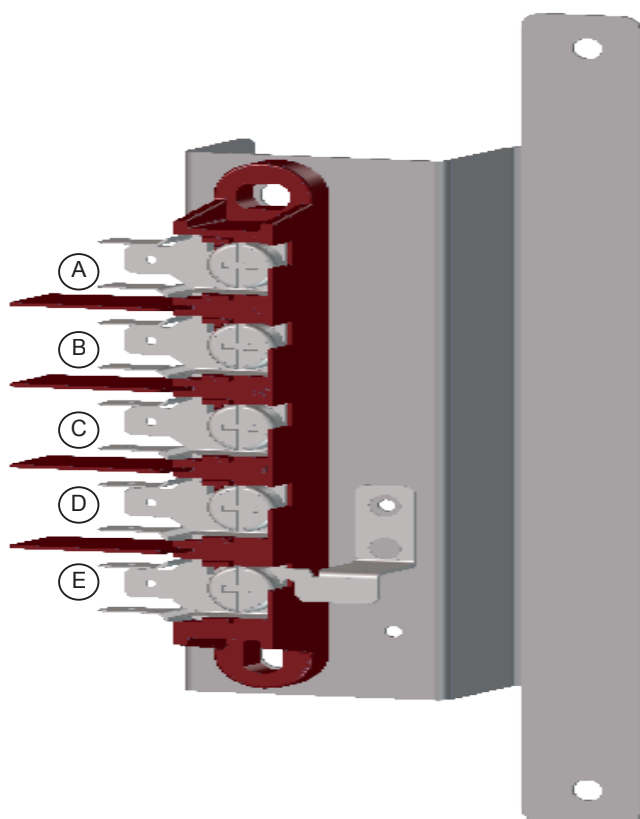
## OVLÁDACÍ PANEL (OBR. 1)



- (A) Hlavní vypínač
- (B) Regulační knoflík dolního termostatu
- (C) Regulační knoflík horního termostatu
- (D) Kontrolky vyhřátí
- (E) Vypínač osvětlení
- (F) Teploměr
- (G) Táhlo ovládání klapky

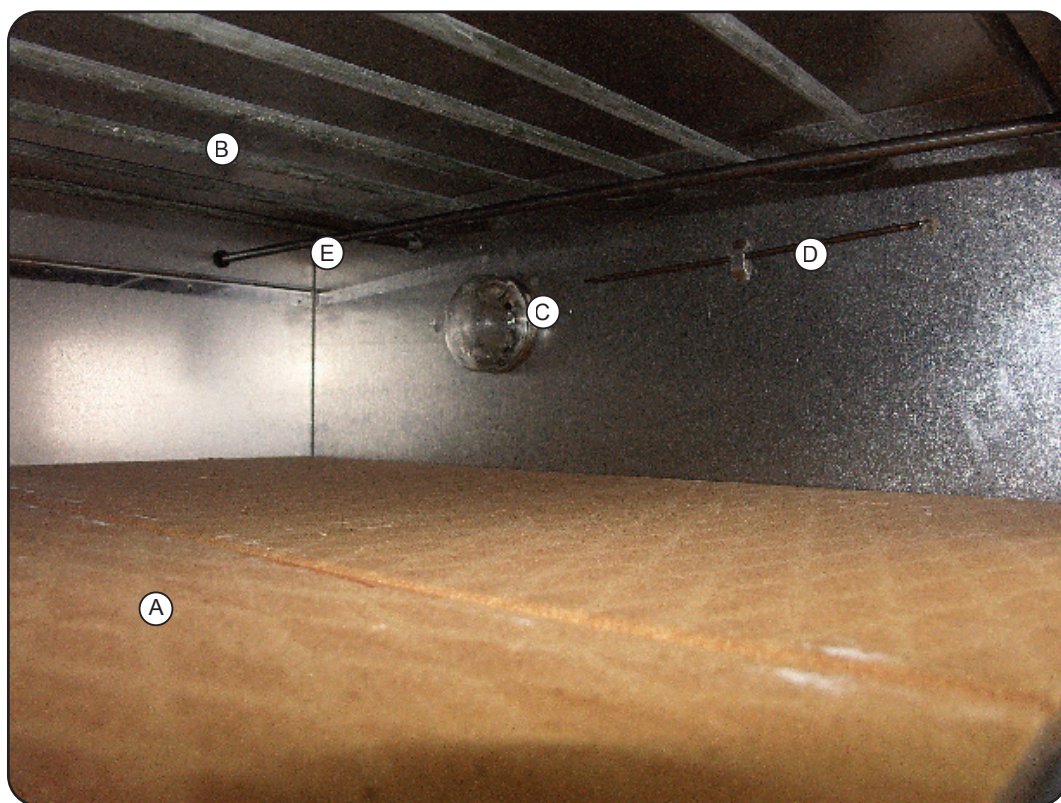


## PŘIPOJENÍ PŘÍVODNÍHO KABELU (OBR. 2)



- (A) L1(fáze)
- (B) L2
- (C) L3
- (D) nula
- (E) uzemění

### VNITŘNÍ PROSTOR PECE (OBR. 3)



- Ⓐ Šamotové desky
- Ⓑ Topná tělesa
- Ⓒ Osvětlení komory
- Ⓓ Kapilára horního prac. termostatu
- Ⓔ Opěrná tyč těles



## ČIŠTĚNÍ A ÚDRŽBA

Čištění musí být provedeno po každém ukončení provozu a musí být provedeno v souladu s hygienickými předpisy. Vhodnou špachtlí a jemným drátěným kartáčem se odstraní napečené zbytky potravin. Musí se postupovat opatrně, aby nedošlo k poškození žáruvzdorných ploten. Pro čištění se nesmí používat tlaková sprcha, žádné korosivní a abrasivní prostředky, které by mohli narušit jednotlivé části a nebyli v souladu s hygienickými předpisy.

### **POZOR!**

Zařízení se nesmí čistit přímou nebo tlakovou vodou. Čistěte zařízení denně. Denní údržba prodlužuje životnost a účinnost zařízení. Před započetím čištění se přesvědčte, jestli jste odpojili zařízení od elektrického proudu. Vždy vypněte hlavní přívod k zařízení. Nerezové části omyjte vlhkým hadrem se saponátem bez hrubých částic a vytřete do sucha. Nepoužívejte abrasivní nebo korosivní čisticí prostředky.

**Pozor!** Než-li začnete přístroj používat, je nutné z celého povrchu sejmout ochranné fólie, a pak jej dobře omýt vodou se saponátem na nádobí, a poté otřít vlhkým hadrem.

Jak postupovat v případě poruchy?

Vypněte elektrický přívod a zavolejte servisní organizaci prodejce.

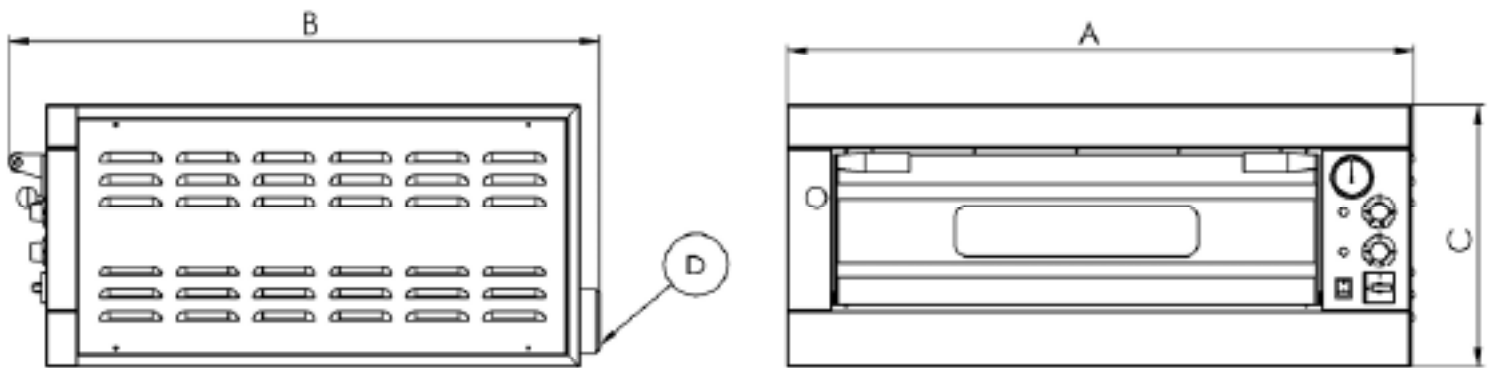
### **UPOZORNĚNÍ**

Záruka se navztahuje na všechny spotřební díly podléhající běžnému opotřebení ( gumová těsnění, žárovky, skleněné a plastové díly atd.). Záruka se též nevztahuje na zařízení pokud není provedena instalace v souladu s návodem – oprávněným pracovníkem dle odpovídajících norem a pokud bylo se zařízením neodborně manipulováno ( zásahy do vnitřního zařízení atd. ) nebo bylo obsluhováno nezaškoleným personálem a v rozporu s návodem k použití, dále se záruka nevztahuje na poškození přírodními vlivy či jiným vnějším zásahem.

**Přepravní obaly a zařízení po ukončení životnosti odevzdejte do sběru, dle předpisů o nakládání s odpadem a nebezpečným odpadem.**

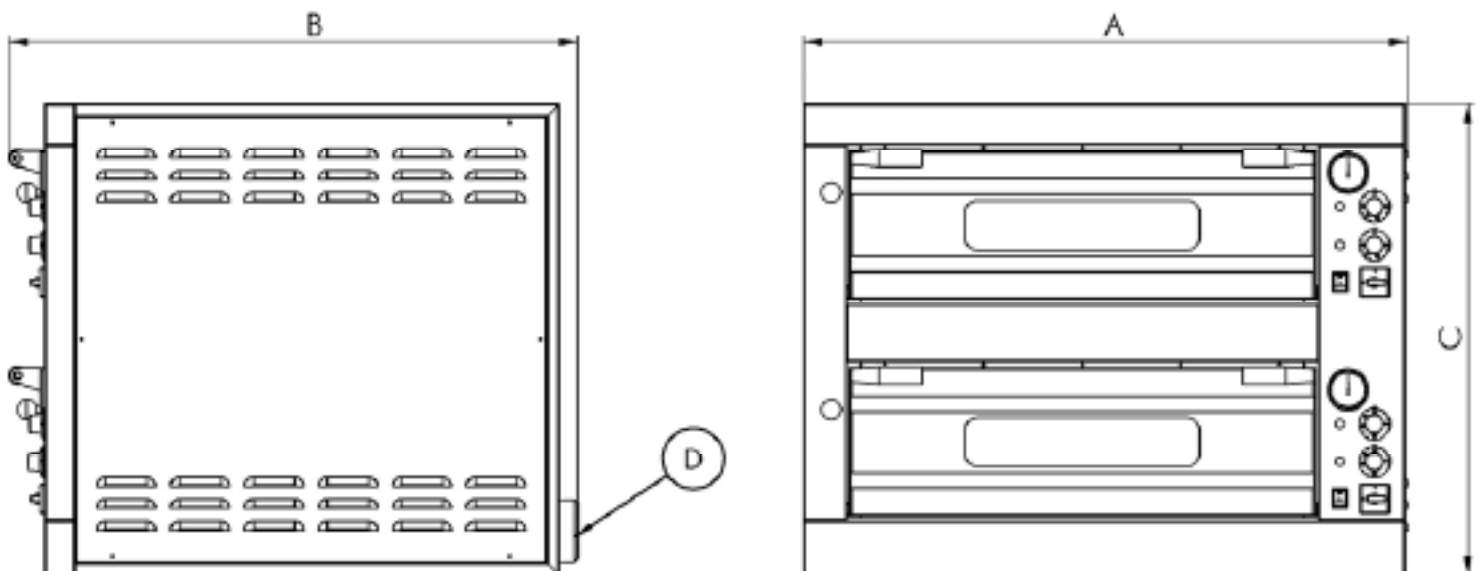
# ROZMĚROVÝ OBRÁZEK

## DIMENSION PLANS / MASSKIZZEN / DIMENSIONS E - 4, 6, 6L, 9, 9L



TYPE	A (CM)	B (CM)	C (CM)
E - 4	98	92	42
E - 6	98	127	42
E - 6 L	131	92	42
E - 9	131	127	42

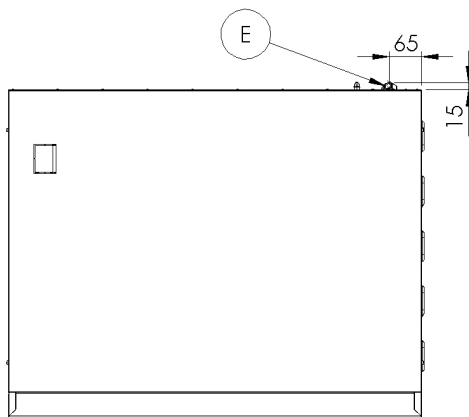
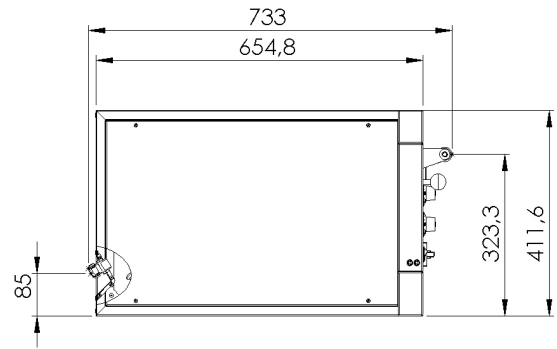
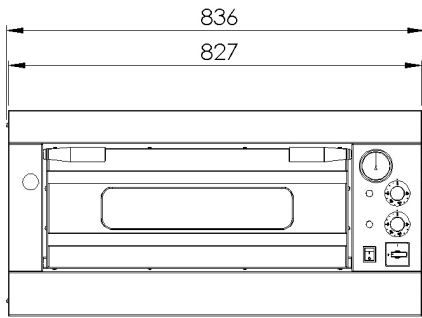
## DIMENSION PLANS / MASSKIZZEN / DIMENSIONS E - 8, 12, 12L, 18



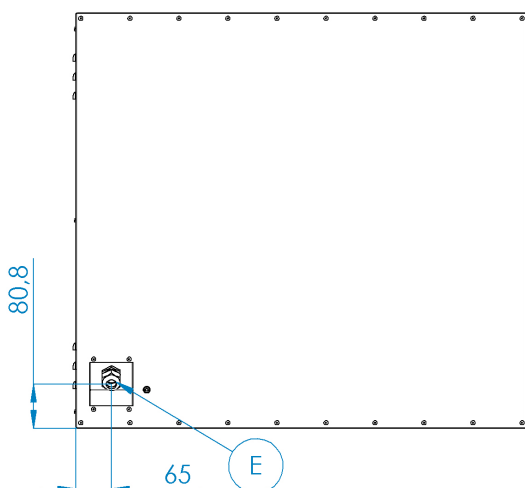
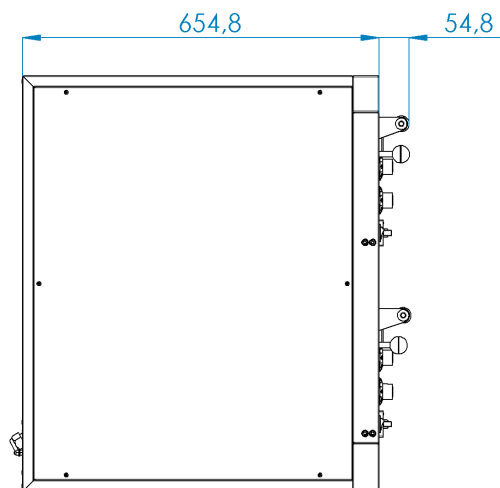
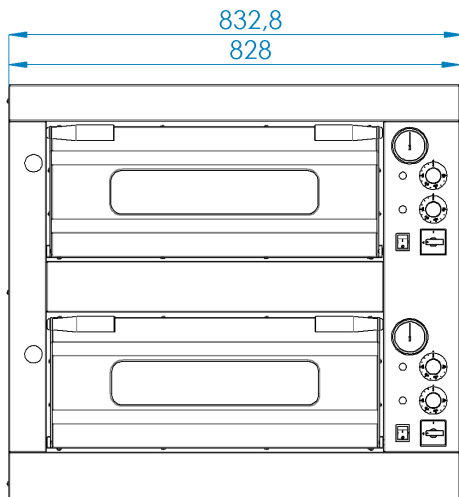
TYPE	A (CM)	B (CM)	C (CM)
E - 8	98	92	78
E - 12	98	127	75
E - 12 L	131	92	75
E - 18	131	127	75

# ROZMĚROVÝ OBRÁZEK

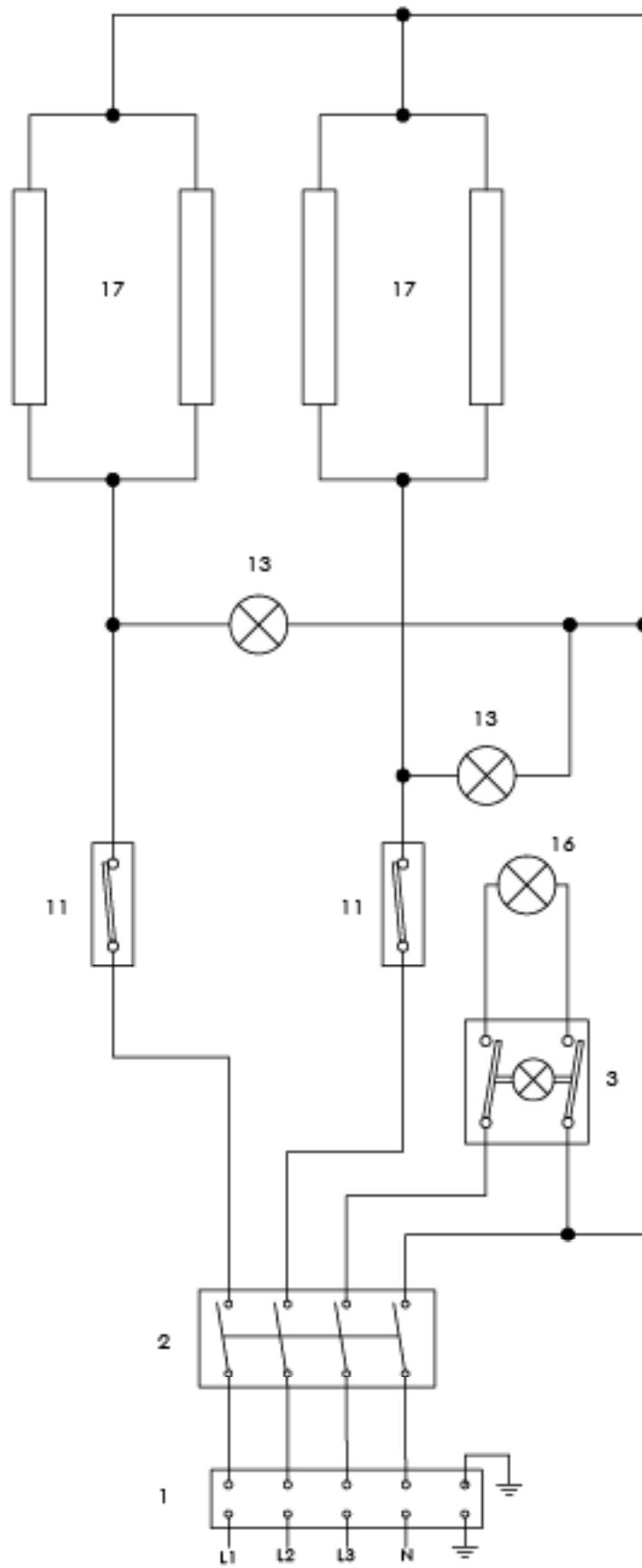
E-4/50

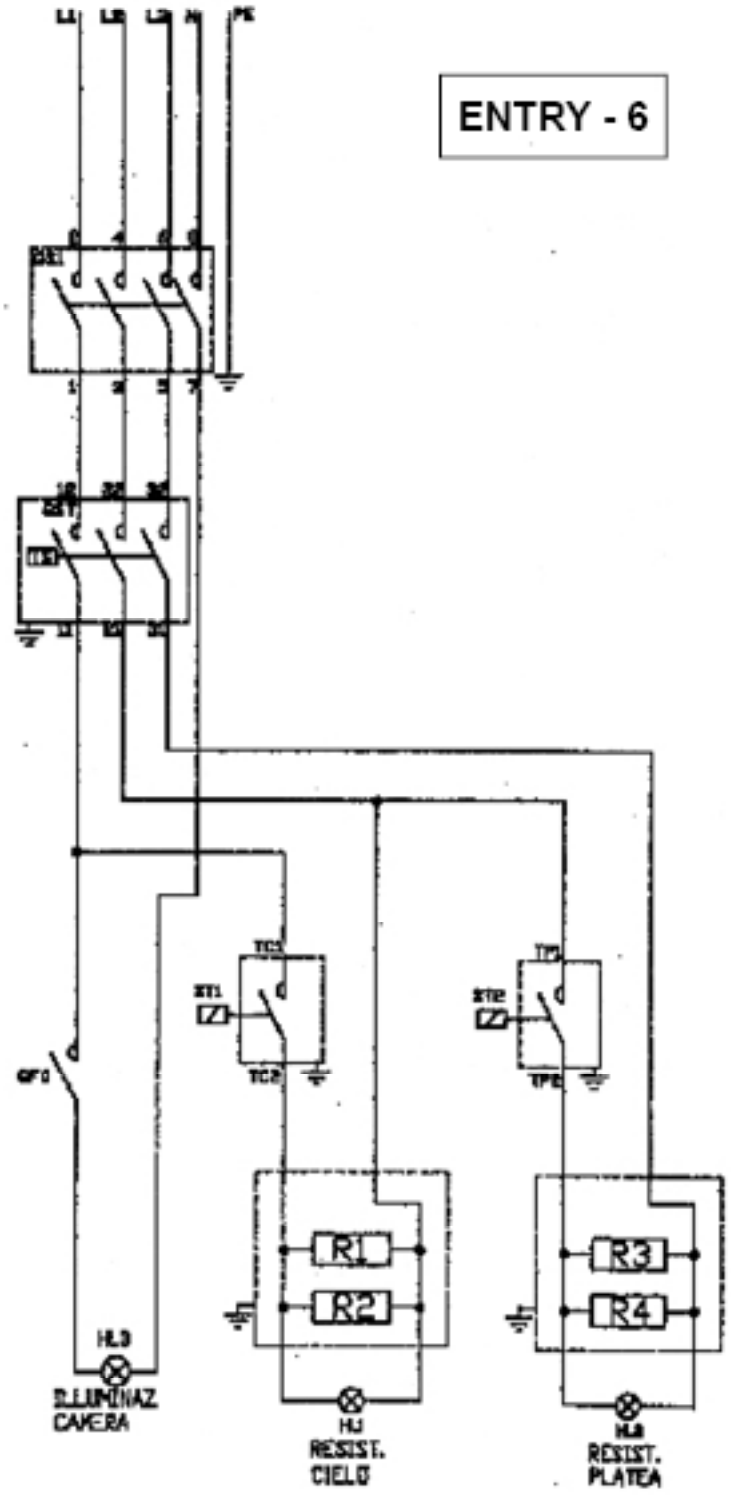
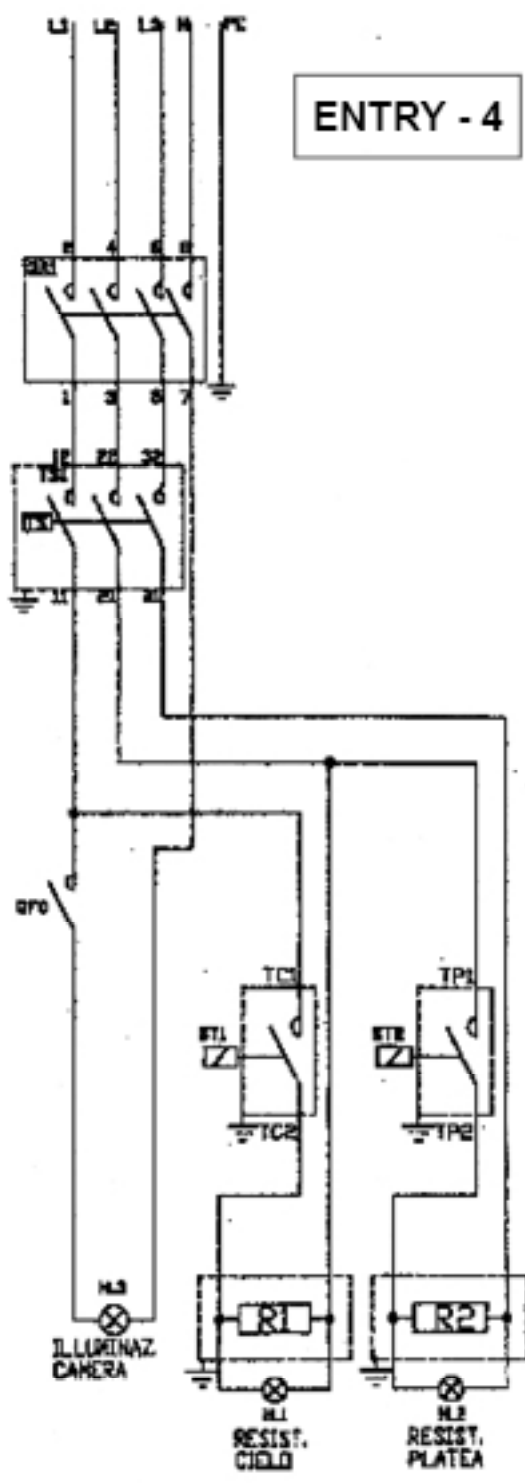


E-8/50



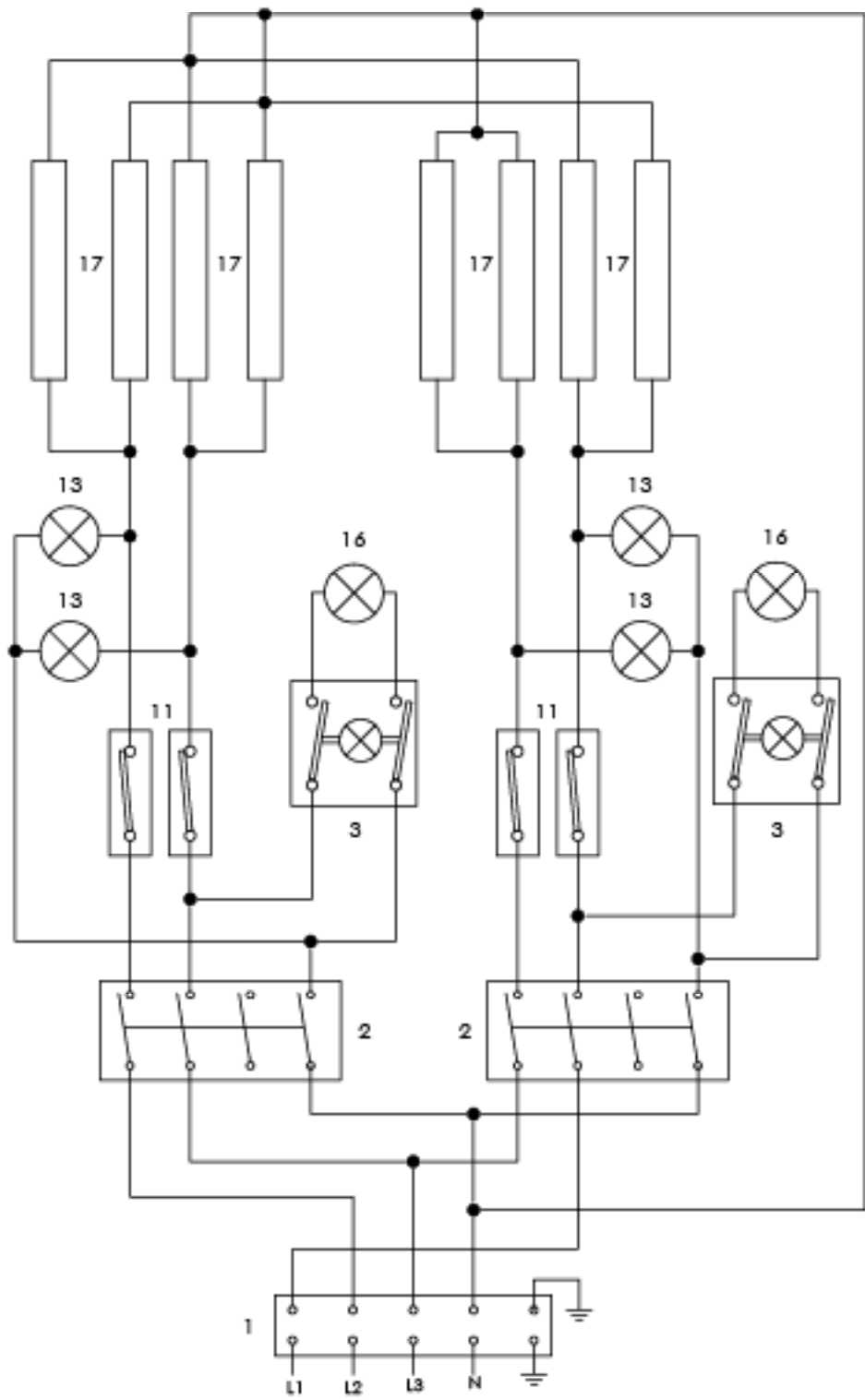
# SCHÉMA ZAPOJENÍ





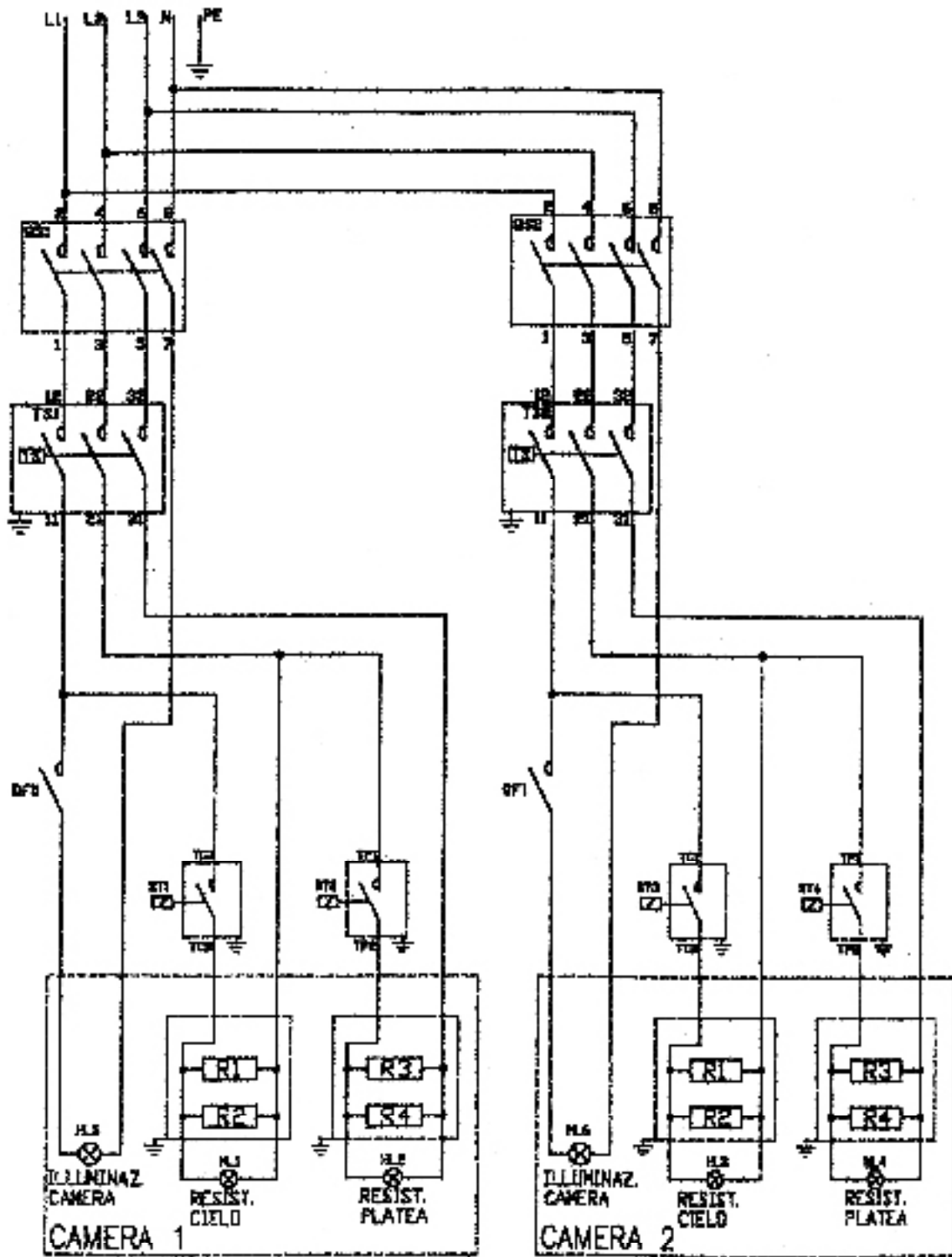
- QS1/2 Vypínač hlavní
- QST1/2 Termostat pojistný
- S1 Sonda termostatu třífázového
- ST1/2 Sonda termostatu jednofázového
- TS Sonda termostatu pojistného
- TC Termostat jednofázový
- TP Termostat jednofázový
- T Termostat třífázový
- QS0 Vypínač topného tělesa
- HL Kontrolka osvětlení
- QF0/1 Vypínač osvětlení komory

- QS1/2 Vypínač hlavní
- QST1/2 Termostat pojistný
- S1 Sonda termostatu třífázového
- ST1/2 Sonda termostatu jednofázového
- TS Sonda termostatu pojistného
- TC Termostat jednofázový
- TP Termostat jednofázový
- T Termostat třífázový
- QS0 Vypínač topného tělesa
- HL Kontrolka osvětlení
- QF0/1 Vypínač osvětlení komory





# SCHÉMA ZAPOJENÍ



QS1/2	Vypínač hlavní	TC	Termostat jednofázový
QS2/2	Termostat pojistný	TP	Termostat jednofázový
S1	Sonda termostatu třífázového	T	Termostat třífázový
ST1/2	Sonda termostatu jednofázového	QS0	Vypínač topného tělesa
HL		HL	Kontrolka osvětlení
TS	Sonda termostatu pojistného	QF0/1	Vypínač osvětlení komory

## OŚWIADCZENIE ZGODNOŚCI Z NORMAMI

Producent oświadcza, że urządzenia są wykonane według polskich norm i przepisów Unii Europejskiej. Montaż musi być przeprowadzony zgodnie z obowiązującymi normami, zwłaszcza w kwestii odpowiedniego wietrzenia pomieszczeń i systemu odprowadzenia spalin.

### Uwaga!

Producent nie odpowiada za szkody wynikłe pośrednio lub bezpośrednio przez: złą instalację, niewłaściwą obsługę lub przeróbki, niedostateczną konserwację lub inne przyczyny niezgodne z punktami warunków sprzedaży. Urządzenie to przeznaczone jest do profesjonalnego użytkowania i musi być obsługiwane osobami o odpowiedniej kwalifikacji. Części, które były po nastawieniu zabezpieczone przez producenta lub pracownika serwisu nie mogą być zmieniane.

## DANE TECHNICZNE

Tabliczka znamionowa znajduje się na tylnej części obudowy urządzenia. Przed instalacją zaleca się zapoznanie z instrukcją obsługi i wszystkimi niżej umieszczonymi informacjami.

Typ výrobku	Napětí (V / Hz)	Počet termostatů (ks)	Příkon max. (kW)	Rozměr (cm)	Rozměr komory (cm)
E - 4	400 / 3N / 50	2	4,8	98 x 92 x 42 v	70 x 70 x 15 v
E - 6	400 / 3N / 50	2	7,2	98 x 121 x 42 v	70 x 105 x 15 v
E - 6 L	400 / 3N / 50	2	8,0	131 x 92 x 42 v	105 x 70 x 15 v
E - 8	400 / 3N / 50	4	9,6	98 x 92 x 76 v	2x 70 x 70 x 15 v
E - 9	400 / 3N / 50	2	12	131 x 127 x 42 v	105 x 105 x 15 v
E - 12	400 / 3N / 50	4	14,4	98 x 121 x 76 v	2x 70 x 105 x 15 v
E - 12 L	400 / 3N / 50	4	16,0	131 x 92 x 76 v	2x 105 x 70 x 15 v
E - 18	400 / 3N / 50	4	24,0	131 x 127 x 76 v	2x 105 x 105 x 15 v
E - 4/50	400 / 3N / 50	2	4	83 x 65 x 41 v	55 x 55 x 15 v
E - 8/50	400 / 3N / 50	4	8	83 x 65 x 76 v	2x 55 x 55 x 15 v

## KONTROLA OPAKOWANIA I URZĄDZENIA

Urządzenie opuszcza zakłady odpowiednio zapakowane, właściwie oznakowane ietykietowane. Posiada również instrukcję obsługi. W przypadku, kiedy opakowanie nosioznaki niewłaściwego traktowania lub uszkodzenia, należy bezzwłocznie zgłosić ten fakt na piśmie u przewoźnika i podpisać protokół szkody.

### Ważne

Niniejsza instrukcja powinna być przeczytana z uwagą, ponieważ zawiera ważne informacje bezpieczeństwa, montażu oraz obsługi.

- należy uważnie zapoznać się z niniejszą instrukcją obsługi, ponieważ zawiera ona ważne informacje dotyczące elementów bezpieczeństwa, montażu i użytkowania
- podane zalecenia odnoszą się do opisanego produktu
- niniejszy produkt jest zgodny z obowiązującymi normami
- instrukcję należy zachować do przyszłego użytku
- produkt powinien znajdować się poza zasięgiem dzieci
- w razie sprzedaży lub przeniesienia produktu w inne miejsce, należy upewnić się, że personel obsługi oraz serwisanci zapoznali się z zaleceniami dotyczącymi obsługi i instalacji podanymi w załączonej instrukcji
- urządzenie mogą obsługiwać tylko upoważnione do tego osoby
- nie należy pozostawiać włączonego urządzenia bez nadzoru
- zalecamy, aby produkt był sprawdzany przez profesjonalny serwis przynajmniej raz w roku
- w razie napraw, należy używać wyłącznie oryginalnych części zamiennych
- produktu nie należy czyścić strumieniami wody lub ciśnieniowo
- w razie uszkodzenia lub awarii, należy odłączyć wszystkie przewody zasilające (wodne, gazowe, elektryczne) i wezwać fachowy serwis
- producent nie bierze odpowiedzialności za szkody powstałe z powodu niewłaściwego montażu, nieprzestrzegania powyższych zaleceń, użytkowania niezgodnego z przeznaczeniem, itp.

## INFORMACJA O INSTALACJI, UMIEJSCOWIENIE

Do regulacji i instalacji urządzenia jest konieczne, by pomieszczenie - kuchnia - było odpowiednio wietrzona (wg istniejących norm). Jeżeli urządzenie będzie umieszczone tak, że będzie stykać się ze ścianą pomieszczenia (kuchni), musi być ściana odporna na temperaturę powyżej 60°C.

Ważne jest by po odpakowaniu urządzenia, skontrolować czy urządzenie nie zostało uszkodzone w czasie transportu. Urządzenie umieścić na poziomej powierzchni (z max nierównościami do 2°). Drobne nierówności można wyrównać za pomocą nóżek.

Urządzenie może być instalowane oddzielnie lub w serii z innymi urządzeniami naszej produkcji. Jest ważne utrzymać odległość 10 cm od materiałów łatwopalnych. W takim przypadku ważne jest dodatkowe zabezpieczenie materiałami izolującymi.

## **Ważne**

**Producent nie odpowiada za usterki, które powstały na skutek nieodpowiedniej eksploatacji urządzenia wbrew instrukcji obsługi.**

Poniższe instrukcje przeznaczone są dla wykwalif kowanego pracownika autoryzowanego serwisu, aby przeprowadził instalację w poprawny sposób, zgodnie z obowiązującymi normami.

Jakakolwiek regulacja powinna być przeprowadzona przy urządzeniu odłączonym od sieci. Jeśli jednak zaistnieje konieczność regulacji w trakcie pracy urządzenia, należy zachować szczególną ostrożność.

## **INSTALACJA**

Instalacja, naprawy i ustawienia urządzeń do kuchni profesjonalnych i demontaż mogą być przeprowadzane tylko na podstawie umowy o utrzymywaniu. Taka umowa może być podpisana ze sprzedawcą urządzenia. Muszą być zachowane wszystkie normy i przepisy dotyczące instalacji i bezpieczeństwa pracy.

Wentylacja pomieszczenia musi być odpowiednio zaprojektowana, wg. istniejących przepisów i norm. Urządzenie może być zainstalowane samodzielnie lub w serii z innymi naszymi urządzeniami.

## **PODŁĄCZENIE PRZEWODU ELEKTRYCZNEGO DO SIECI**

Przewód elektryczny powinien posiadać oddzielny bezpiecznik, odpowiadający mocy instalowanego pieca. Moc urządzenia należy skontrolować na tabliczce znamionowej umieszczonej na bocznej ścianie urządzenia.

Przewód uziemiający musi być dłuższy od pozostałych przewodów. Urządzenie należy podłączyć bezpośrednio do sieci. Między urządzeniem a siecią należy zamontować wyłącznik zabezpieczający zgodny z normami. Przewód uziemiający (żółto-zielony) nie może być podłączony do tego wyłącznika.

Przewód elektr. powinien być umieszczony tak, aby w żadnym punkcie nie osiągnął temp. o 50° wyższej od otoczenia. Przed podłączeniem do sieci należy sprawdzić czy:

- bezpiecznik wewn. oraz instalacja są odpowiednie do obciążenia urządz.(patrz tabl. znam.)
- instalacja posiada uziemienie zgodne z normami
- wył. zabezp. jest łatwo dostępny

**Producent nie ponosi odpowiedzialności w przypadku nie zachowania odpowiednich norm lub naruszenia w / w zasad.**

Przed użyciem, urządzenie należy wyczyścić (patrz rozdz. czyszczenie i konserwacja). Urządzenie musi być uziemione za pomocą śruby z oznaczeniem uziemienia.

## INSTRUKCJA OBSŁUGI



**UWAGA!** Przed rozpoczęciem pracy z urządzeniem, należy z całej powierzchni ściągnąć ochronną folię, a następnie przemyć urządzenie płynem do naczyń, a następnie przetrzeć wilgotną szmatką. Należy uruchomić piec na 4 godziny na 300 °C.

Drzwiczki należy otwierać/zamykać za pomocą rączek (H). W trakcie pracy i tuż po niej nie dotykać metalowych elementów urządzenia - grozi poparzeniem. Wszystkie elementy panelu sterowania oraz uchwyty są chronione przed nagrzewaniem się. Przy wkładaniu i wyjmowaniu żywności z komory pieca należy używać rękawic ochronnych.

Nie zasłaniaj pieca, nie kładź na nim żadnych sprzętów.

### Sterowanie

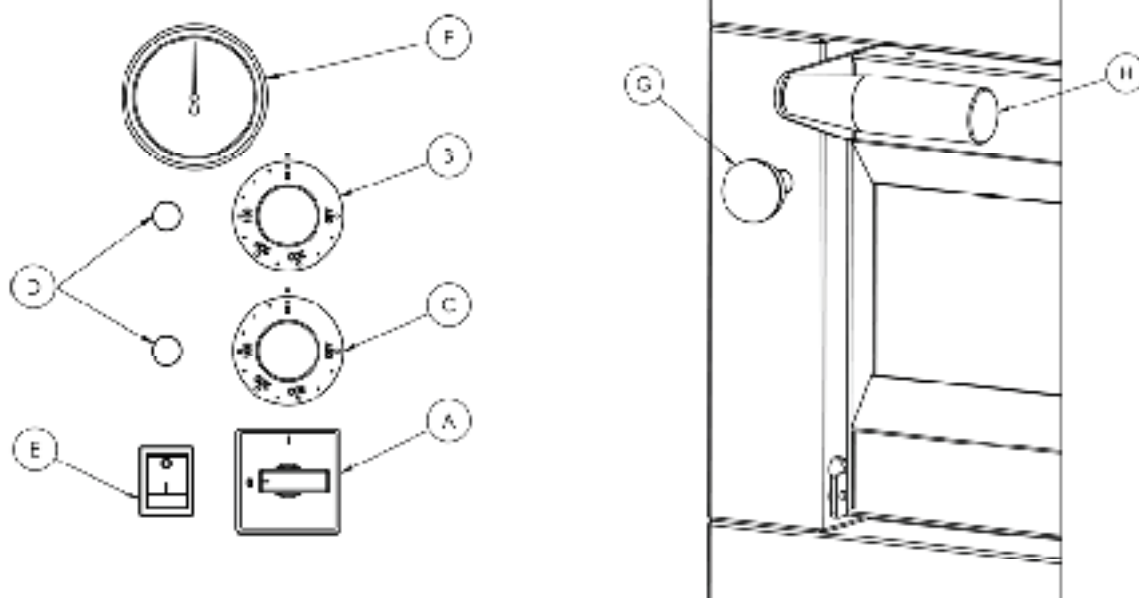
Podłącz zasilanie. Przekręć pokrętkę regulacji (A) do pozycji „I”. Za pomocą pokręteł termostatu można oddzielnie regulować temperaturę górnej (B) i dolnej (C) grzałki. Nagrzewanie grzałek sygnalizują kontrolki (D), które gasną gdy grzałki osiągną ustawioną temperaturę.

Aby wyłączyć grzałki należy pokrętki termostatów ustawić na temperaturę 0°C.

Oświetlenie wnętrza komory włącza się (pozycja „I”) i wyłącza (pozycja „0”) za pomocą przycisku (E). Oświetlenie działa tylko kiedy urządzenie jest włączone włącznikiem głównym (A).

Urządzenie wyłącza się przekręcając pokrętkę (A) na pozycję „0”. Należy wcześniej upewnić się, że grzałki i oświetlenie są wyłączone.

RYS. 1



A - włącznik główny  
B - termostat górnych grzałek  
C - termostat dolnych grzałek  
D - kontrolka nagrzewania

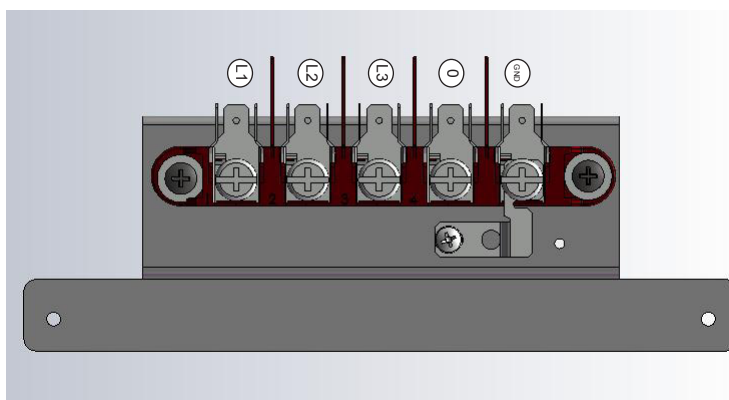
E - włącznik wewnętrznego oświetlenia  
F - termometr  
G - rączka kłapy  
H - uchwyty drzwiczek

## Wskazówki

- Podczas pieczenia należy obserwować stan pizzy i zmieniać jej położenie dla równomiernego pieczenia
- Przy włączeniu ustawić termostaty komory na maksimum. Gdy grzałki się nagrzeją ustawić żądaną temperaturę
- Temperatura ustawiona na dolnej i górnej grzałce nie jest z reguły taka sama (niższa temperatura na dolnej grzałce)
- Przy włączonym i pustym piecu rośnie temperatura szamotowych desek od górnych grzałek
- Przy piętrowych piecach dochodzi do transferu ciepła pomiędzy dolną i górną komorą.
- Należy regularnie czyścić deski szamotowe odpowiednimi narzędziami
- Do każdego pieca można kupić podstawowy zestaw narzędzi
- Oświetlenie komory włączaj tylko podczas pieczenia - zwiększysz dzięki temu żywotność żarówek
- Przy dużym nagromadzeniu pary w komorze można na chwilę otworzyć klapę w celu ulotnienia pary (rys. 1 „G”)

## Podłączenie przewodu do ekwipotencjalizacji (wyrównania potencjałów) (RYS. 2)

Listwa zaciskowa znajduje się na tylnej stronie urządzenia





### Komora pieca (RYS. 3)



A - deska szamotowa  
B - Wewnętrzne oświetlenie komory


D - podpora górnych grzałek  
E - grzałka

## CZYSZCZENIE I KONSERWACJA

Zaleca się kontrolę urządzenia przez profesjonalny serwis 2 razy w roku. Wszystkie interwencje w urządzeniu może przeprowadzać tylko przeszkolona osoba, która ma wymagane do tego uprawnienia.

**Uwaga!** Przed rozpoczęciem używania urządzenia należy ściągnąć z całej powierzchni folię ochronną oraz przemyć urządzenie wodą z płynem do naczyń, a następnie przetrzeć wilgotną szmatką.

- Czyszczenie przede wszystkim powierzchni, która jest w kontakcie z żywnością musimy przeprowadzać codziennie i bardzo dokładnie.
- Części nierdzewnych nie wolno czyścić pastami gruboziarnistymi lub środkami agresywnymi.
- Do czyszczenia nie używać papierów ściernych.
- W razie silnego zabrudzenia powierzchni dopuszczalne jest użycie gąbki z utwardzoną powierzchnią.
- Urządzenie czyścić wyłącznie zimne - w przeciwnym wypadku grozi to oparzeniem.
- W czasie dłuższej przerwy w eksploatacji urządzenia należy je zakonserwować olejem jadalnym i wyłączyć zasilanie elektryczne.
- Urządzenia nie należy czyścić wodą pod ciśnieniem (z węża).

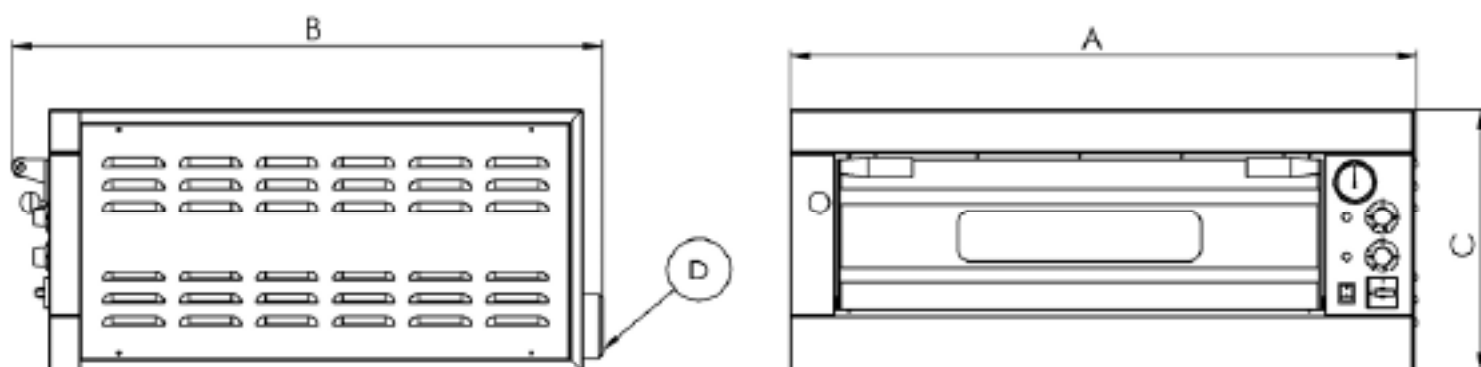
 **W razie awarii:**  
Odłączyć zasilanie elektryczne. Wezwać autoryzowany serwis.

### GWARANCJA

Gwarancja nie obejmuje żadnych części, które podlegają naturalnemu zużyciu (uszczelki, żarówki, części plastikowe i szklane itp.) Gwarancja nie obejmuje również urządzenia jeśli podłączone było nie zgodnie z instrukcją lub przez osoby nie posiadające odpowiednich uprawnień. Gwarancja nie obejmuje uszkodzeń spowodowanych warunkami atmosferycznymi lub przez osoby trzecie.

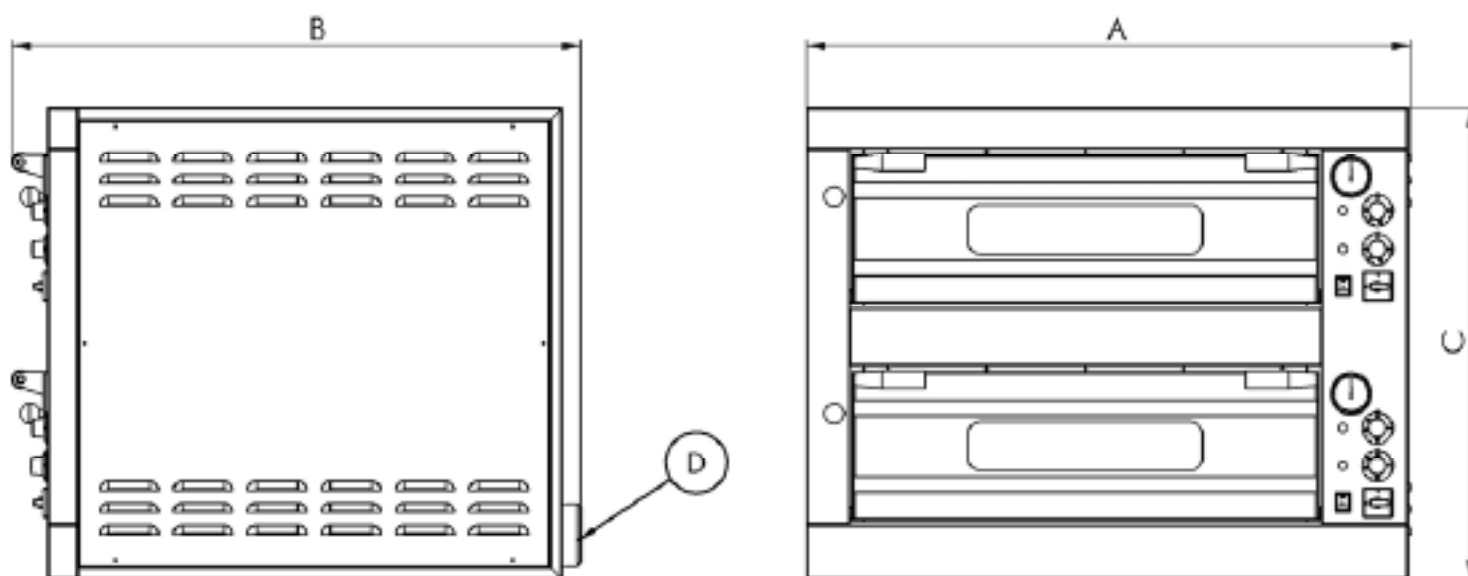


**RYSUNEK WYMIAROWY**  
**DIMENSION PLANS / MASSKIZZEN / DIMENSIONS**  
**E - 4, 6, 6L, 9, 9L**



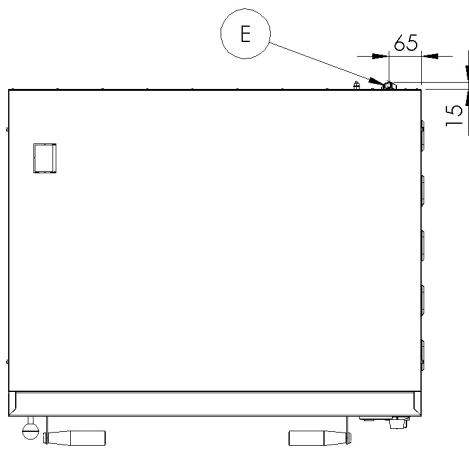
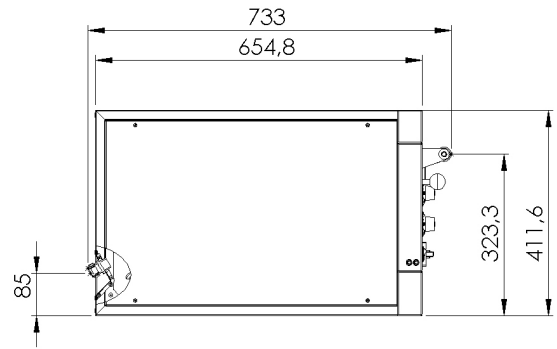
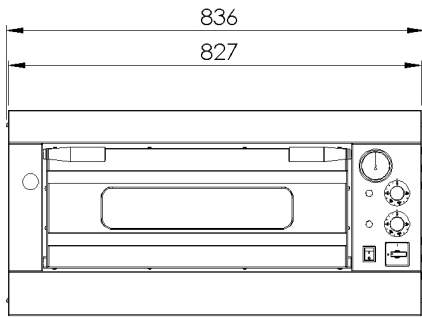
TYPE	A (CM)	B (CM)	C (CM)
E - 4	98	92	42
E - 6	98	127	42
E - 6 L	131	92	42
E - 9	131	127	42

**DIMENSION PLANS / MASSKIZZEN / DIMENSIONS**  
**E - 8, 12, 12L, 18**

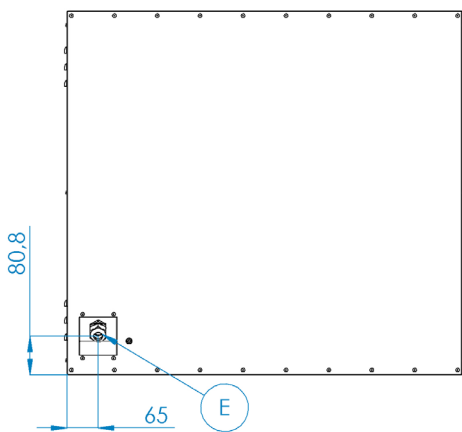
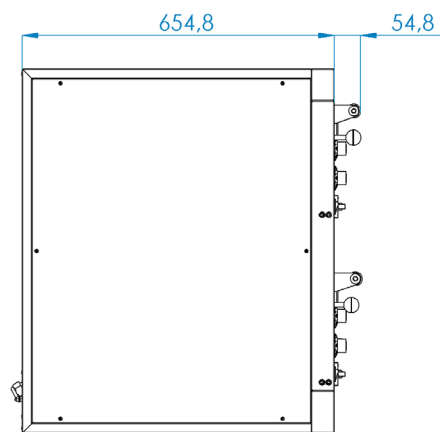
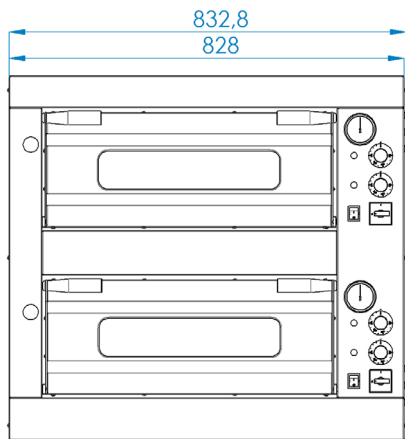


TYPE	A (CM)	B (CM)	C (CM)
E - 8	98	92	78
E - 12	98	127	75
E - 12 L	131	92	75
E - 18	131	127	75

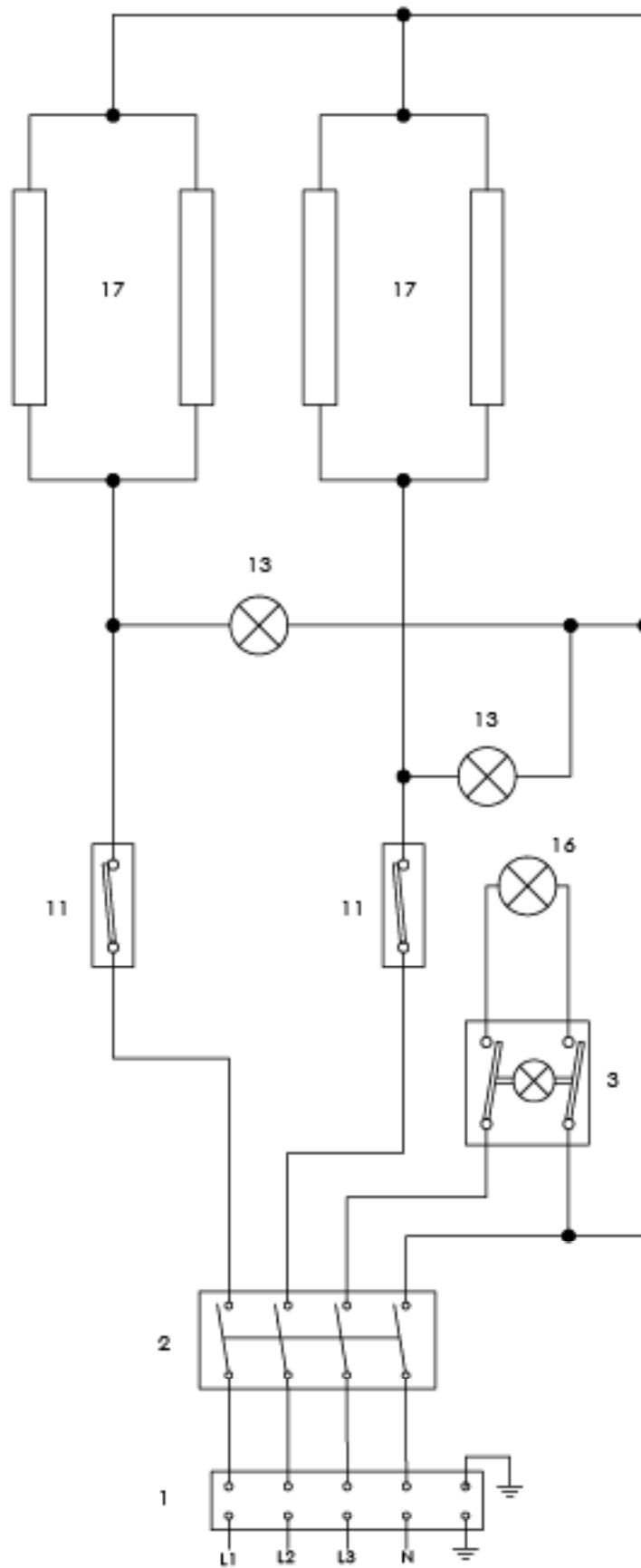
E-4/50



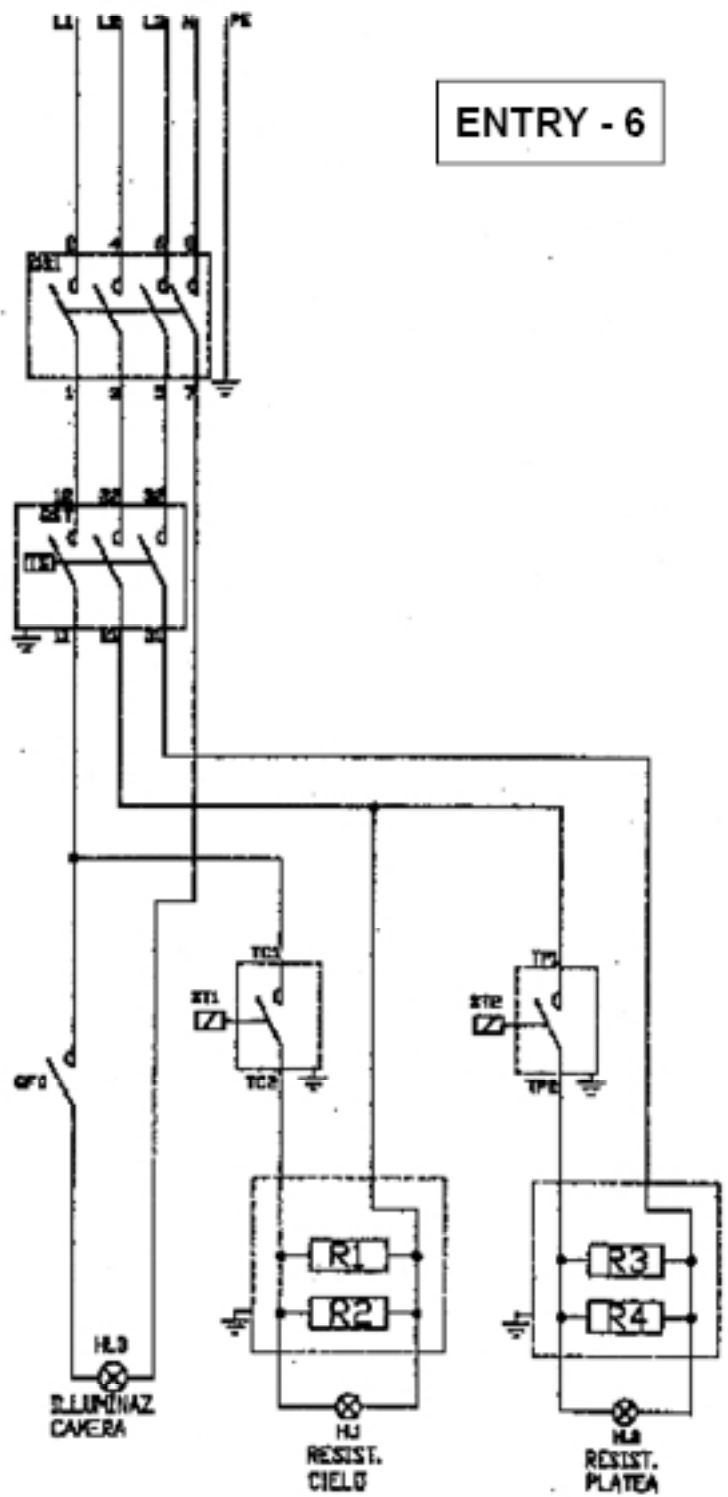
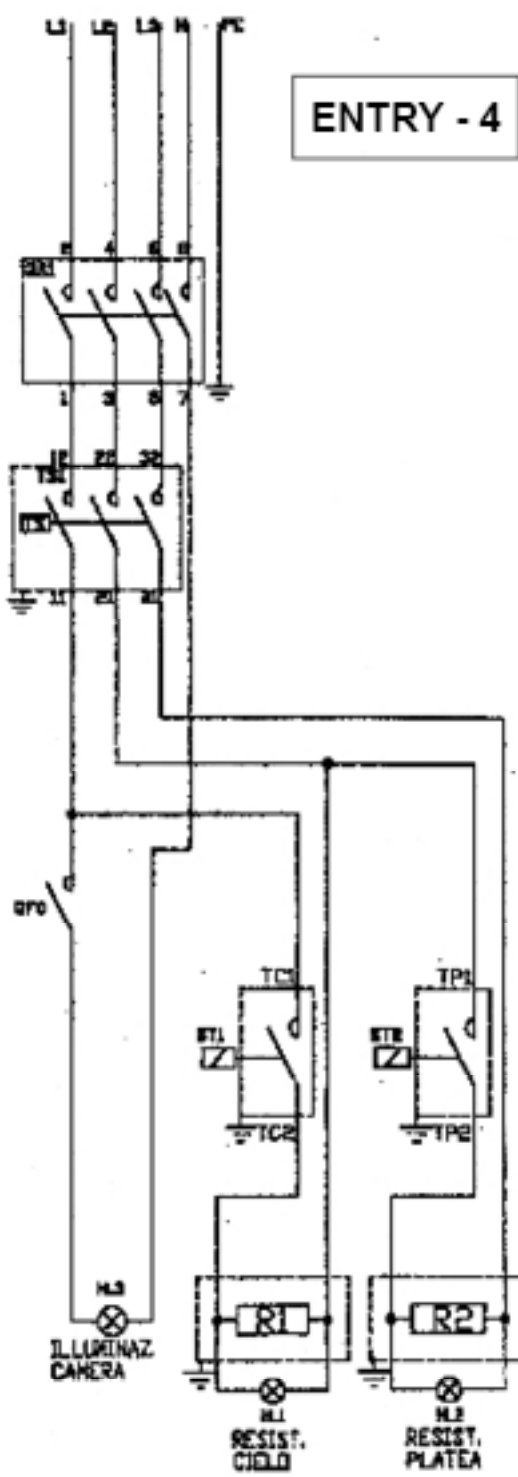
E-8/50



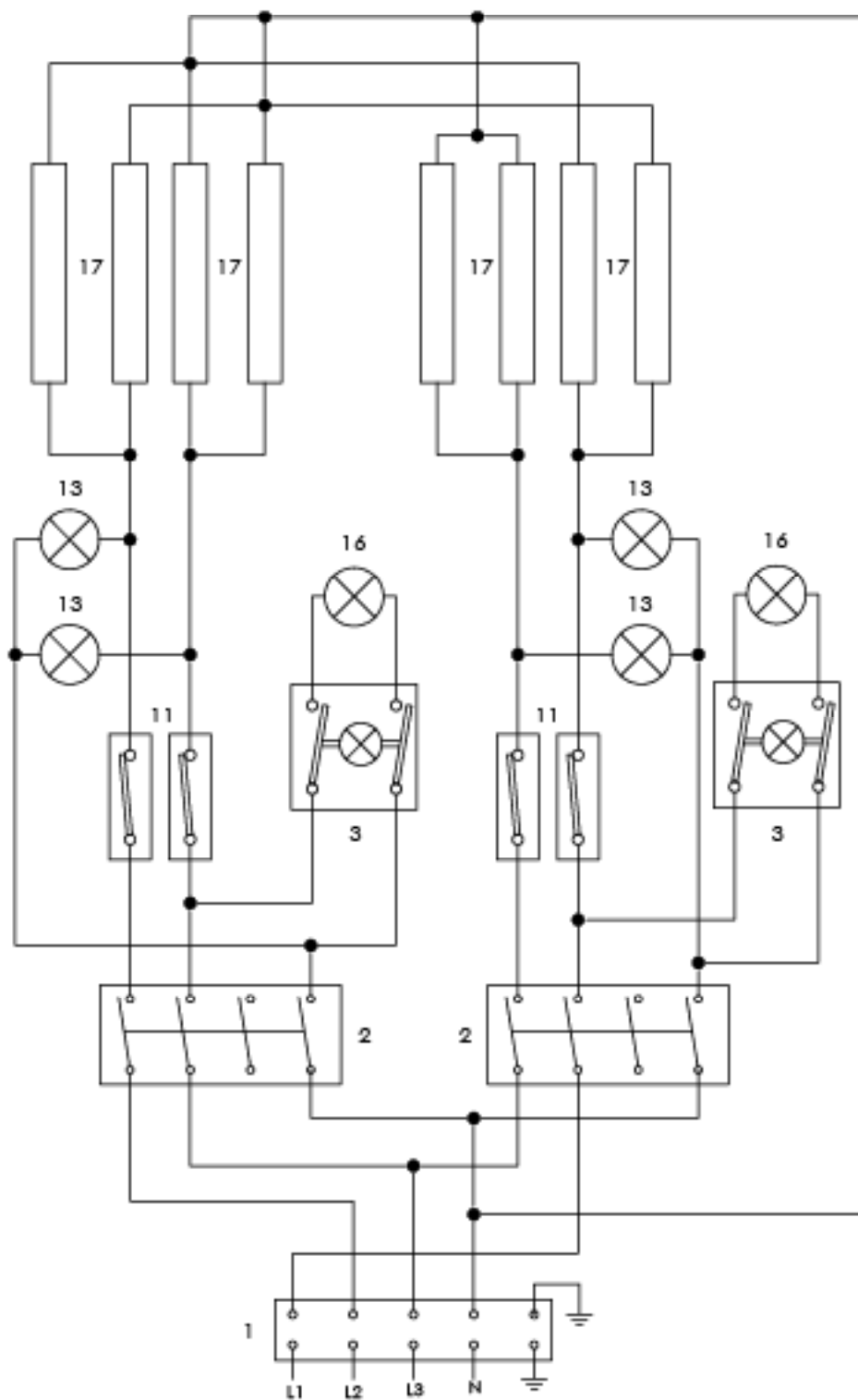
# SCHEMAT PODŁĄCZENIA



# SCHEMAT PODŁĄCZENIA



# SCHEMAT PODŁĄCZENIA



## ERKLÆRINGEN OM KOMPATIBILITET MED NORMER

Producenten erklærer, at anlæggene er i kompatibilitet med forskrifter 2014/30/EU, 2014/35/EU lov nr. 117/2016sb., nr. 118/2016 sb. og tilhørende regeringens forordninger. Installationen skal udføres med hensyn til de gældende normer. Læg mærke til, at producenten fraskriver sig ethvert ansvar i tilfælde af både direkte og indirekte skader, der har forbindelse med en forkert installation, et ukorrekt indgreb eller ændringer, utilstrækkelig vedligeholdelse, ukorrekt brug og skader, der er forårsaget af andre årsager end de anførte punkter, som er anført i salgsbetingelser. Anlægget er beregnet udelukkende til fagbrug og skal betjenes af kvalificerede personer. Dele, der blev sikret af producenten eller en bemandet medarbejder efter installationen, må ikke ombygges af brugeren.

## TEKNISKE DATA

Typepladen med tekniske data befinder sig på det bagerste del af anlægget. Læs grundigt det elektriske tilslutningsskema og alle følgende informationer før installeringen.

TYPE	SPÆNDING (V/Hz)	TERMOSTATER (PCS)	STRØMFORBRUG (kW)	DIMENSIONER (CM)	KAMMERSTØRRELSE (CM)
E - 4	400 / 3N / 50	2	4,8	98 x 92 x 42 v	70 x 70 x 15 v
E - 6	400 / 3N / 50	2	7,2	98 x 121 x 42 v	70 x 105 x 15 v
E - 6 L	400 / 3N / 50	2	8,0	131 x 92 x 42 v	105 x 70 x 15 v
E - 8	400 / 3N / 50	4	9,6	98 x 92 x 76 v	2x 70 x 70 x 15 v
E - 9	400 / 3N / 50	2	12	131 x 127 x 42 v	105 x 105 x 15 v
E - 12	400 / 3N / 50	4	14,4	98 x 121 x 76 v	2x 70 x 105 x 15 v
E - 12 L	400 / 3N / 50	4	16,0	131 x 92 x 76 v	2x 105 x 70 x 15 v
E - 18	400 / 3N / 50	4	24,0	131 x 127 x 76 v	2x 105 x 105 x 15 v
E - 4/50	400 / 3N / 50	2	4	83 x 65 x 41 v	55 x 55 x 15 v
E - 8/50	400 / 3N / 50	4	8	83 x 65 x 76 v	2x 55 x 55 x 15 v

## KONTROL AF PAKNINGEN OG ANLÆGGET

Anlægget forlader vores lager i en forsvarlig pakning, på hvilken befinder sig tilsvarende symboler og markeringer. I pakningen befinder sig en tilsvarende betjeningsvejledning. Hvis pakningen viser tegn på en dårlig behandling, skal den reklameres øjeblikkeligt hos transportøren og man skal skrive og underskrive en protokol om beskadigelsen.

### Vigtig varsel:

-Produktet er bestemt alene til bruget i indre områder.

Brug aldrig apparatet hvis det har skaden på strømforsyningen eller på gaffel, hvis det ikke fungerer korrekt, har faldet til jorden og er skadet eller faldt i vandet. I sådanne tilfælde lever apparatet i serviceafdelingen med hensyn til sikkerhed og korrekt funktion.

-vejledningen skal læses grundigt og omhyggeligt, da den indeholder vigtige informationer om sikkerhedselementer, installation og brug

- disse anbefalinger har forbindelse med dette produkt

- produktet svarer til gældende normer

- vejledningen skal gemmes omhyggeligt til fremtidigt brug

- børn må ikke gøre brug af anlægget

- ved salg eller omplacering skal man sikre sig, at betjeningen eller den faglige service har stiftet bekendskab med betjenings- og installationsanvisninger i den vedlagte vejledning

- produktet skal betjenes udelukkende af en fagkyndig person

- det må ikke forlades uden opsyn

- det anbefales, kontrol 1 gang om året

- ved eventuel reparation eller udskiftning af dele skal der bruges originale reservedele

- produktet må ikke renses med vandstrøm eller med trykbruser

- ved fejl eller forkert drift af produktet er det nødvendigt at afkoble alle tilslutninger (vand, elektricitet, gas) og tilkalde autoriseret service

- producenten fraskriver sig et enhver ansvar ved fejl forårsaget af en forkert installation, samt forkert brug af produktet.

## INSTALLATION

Tekniske instruktioner for installationen og reguleringen

Til brug UDELUKKENDE for specialiserede teknikere. Følgende instruktioner henvender sig til en tekniker, der er kvalificeret til installation, og som skal udføre alle operationer på den måde, der er mest korrekt og ifølge de gældende normer.

Vigtigt

Enhver aktivitet i forbindelse med reparationen må kun udføres når anlægget er koblet af nettet.

Hvis det er nødvendigt at reparere anlægget med spænding, skal man arbejde yderst omhyggeligt.

## PLACERING

Til reguleringen af anlæggets brug er det helt nødvendigt, at køkkenets omgivelser, hvor anlægget skal installeres, er godt udluftet (med hensyn til dette: teknikeren skal følge de gældende normer). Hvis anlægget placeres, så det er i kontakt med møblernes vægge, skal disse modstå temperaturer op til 60°C. Installationen, afbalanceringen og opstarten skal udføres af en kvalificeret person, der er berettiget til disse aktiviteter, og ifølge de gældende normer for installation af anlægget.

Udpak anlægget og kontroller, at det er uskadt efter transporten. Placer anlægget på en vandret flade (maksimal ujævnhed inden for 2°). Placer anlægget under en emhætte, så vanddampen og lugten bliver elimineret.

Anlægget kan installeres selvstændigt eller i serien med anlæggene af vores produktion. Det er nødvendigt at overholde en minimum distance på 10 cm fra andre genstande, og man skal forebygge kontakt af anlægget med brandbare materialer. I dette tilfælde skal man sikre tilsvarende ændringer, så at der er sikret varmeisolleringen af de brandbare dele.



# SIKKERHEDSANVISNINGER FRA SYNSPUKTET AF BRANDVÆRNET IFØLGE EN 061008 ARTIKKEL 21

- betjeningen af anlægget må udelukkende udføres af voksne personer
  - anlægget må bruges sikkert i almindelige omgivelser ifølge ČSN 332000-1.
  - anlægget skal placeres sådan, at det står eller hænger på et ikke brandbart underlag.
- På anlægget og i distancen mindre end sikkerdistancen må ikke placeres genstande af brandbare materialer (den mindste distance af anlægget til brandbare materialer er 10 cm).
- for sikre distancer fra materialer af de enkelte brandbarhedsgrader og informationer om brandbarhedsgrad af de vanlige byggematerialer - se tavlen

Tavlen:

brandbarhedsgrad af byggemateriale placeres i brandgrader (ČSN 730823) af materialer og produkter

A ikke brandbart granit, sandsten, beton, mursten, keramiske fliser, puds

B dårligt brandbart "akumin", "heraklit", "lihnos", "itaver"

C1 meget brandbart løvetræ, krydsfinér, "sirkoklit", hærdet papir, "umakart"

C2 middelbrandbart spånplade plader, "solodur", korkplader, gummi, gulvmaterialer

C3 letbrandbart træfiberplader, polystyren, polyurethan, PVC

Anlæggene skal installeres på en sikker måde. Under installationen må overholdes tilsvarende projekt-, sikkerheds- og hygiejniske forskrifter ifølge:

- EN 06 1008 brandsikkerhed af de lokale anlæg og varmekilder
- EN 33 2000 omgivelser for elektriske anlæg

## BRUGSVEJLEDNING

Opmærksomhed! Hvis du ikke har nogen poster endnu, skal du huske, at jeg gerne vil bede dig et par ord, og jeg vil gerne takke dig for din støtte, og jeg vil gerne takke dig meget. Det anbefales at bruge en non-stick pande i ca. 4 timer ved 300 ° C, hvilket kan kræve et specielt konserveringsmiddel.

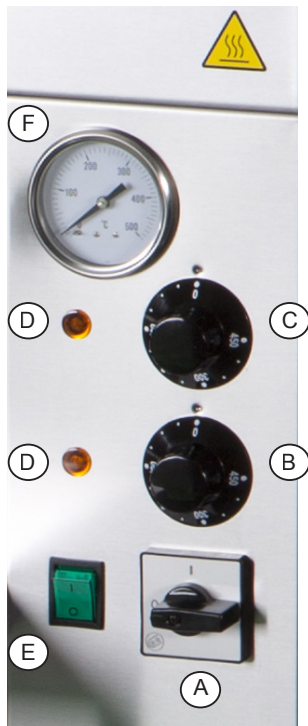
Du skal prøve at finde den rigtige finer (A) på „I“ finérmærket. Det er muligt at skynde sig. Tilgængelige regulatorknopper termostater tilgængelige for brugere til at regulere de øverste (C) og nedre (B) varmeovne, der er indstillet på baggrund af den indstillede temperatur, der er sat i drift. Aktuelle telefoner angiver kontrol af styringen (D) for horn- og komedihastighed. Til varme og kolde termostater med det højeste niveau for kogeplader ved 0 ° C. Vinduesrensere bruges til at erstatte et slettet vindue (E), adskilt med kolonne „I“ og derefter åbnet med kolonne „0“. De mest almindelige svampe er svampe, der forårsager lungebetændelse (A). For at få vist enheden er det nødvendigt at specificere den korrekte placering af enheden, som kan bruges til at indstille nummeret „0“.

Der kræves i alt 300 ° C for at varme op i højst 4 timer. På den anden side er det muligt at bestemme, om der er et problem.

### Fremkaldt støtte

- Jeg har mange penge at betale for pizza, og jeg skal betale for det, fordi jeg har mange penge til det.
- Øger temperaturen på komfurer og termostater maksimalt. Som standard har termostaterne en testet temperatur.
- Kogepladen er udstyret med et hjørne og en lille termostat, der ikke indeholder vand. (Ingen temperaturer med en lille termostat).
- Det er designet og brugt til at fremstille tæpper med skråt loft eller hjørnefliser.
- Dobbeltkantet sværd for det meste lavet af sten og har et tæppe.
- Det er godt at have et aflåseligt bord.
- Ingen grund til at bekymre dig om at gå tabt.
- Billedtekster hviler på et stykke træ, der har lang vej at gå.
- Den mest almindelige måde at finde en prostitueret i en prostitueret er at være i stand til at tage et par ounce salve med en tom hånd.

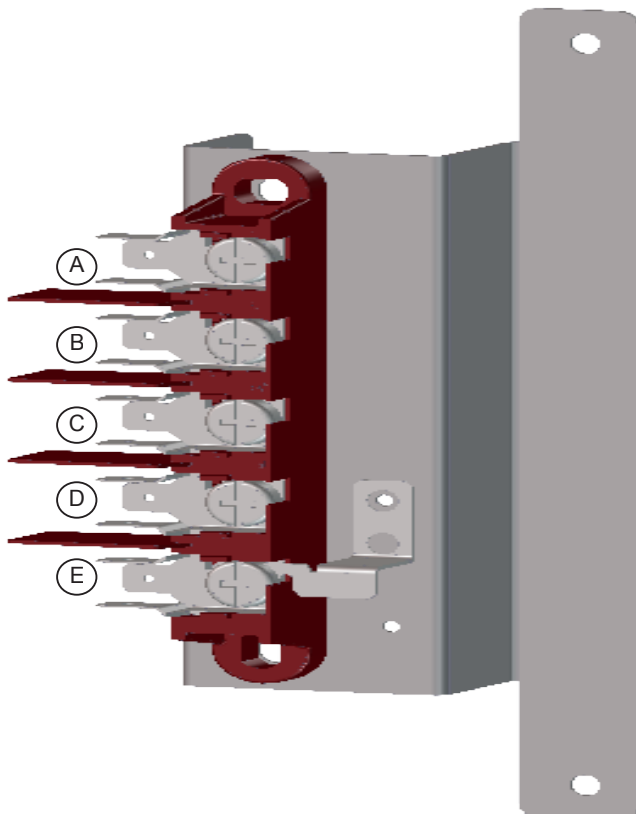
KONTROLPANEL (FIG. 1)



- Ⓐ Hovedkontakt
- Ⓑ Nedre termostatkontrolknop
- Ⓒ Øvre termostatkontrolknop
- Ⓓ Varmeindikatorer
- Ⓔ Lyskontakt
- Ⓕ Termometer
- Ⓖ Klapstyrestang



TILSLUTNING AF STRØMKABLET (FIG. 2)



- Ⓐ L1(fáse)
- Ⓑ L2
- Ⓒ L3
- Ⓓ nul
- Ⓔ jord

## RENSNING OG VEDLIGEHOLDELSE

### Vedligeholdelse:

Det anbefales at lade anlægget kontrollere mindst en gang om året af en fagservice. Ethvert indgreb i anlægget kan udføres udelukkende af en kvalificeret person, der er berettiget til disse aktiviteter.

NB! Anlægget må ikke renses med direkte- eller trykvand.

Anlægget renses dagligt. Daglig rensning forlænger levetiden og effekten af anlægget. Før man starter rensning, forsikre dig om, at anlægget er afkoblet fra elektrisk strøm. Afbryd altid på hovedtilførsel til anlægget. Rustfrie dele renses med en fugtig klud med opvaskemiddel uden grove partikler, bagefter tørres. Brug ikke abrasive eller korrosive rensedmidler.

### HVORDAN ER FREMGANGSMÅDEN I TILFÆLDE AF FEJL

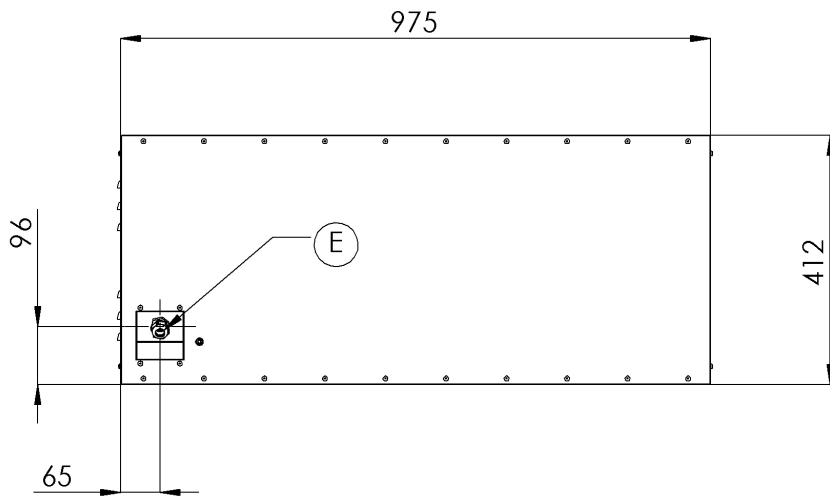
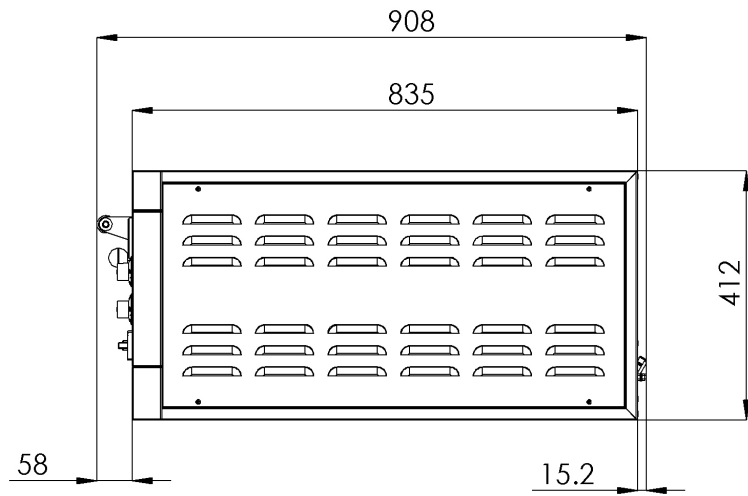
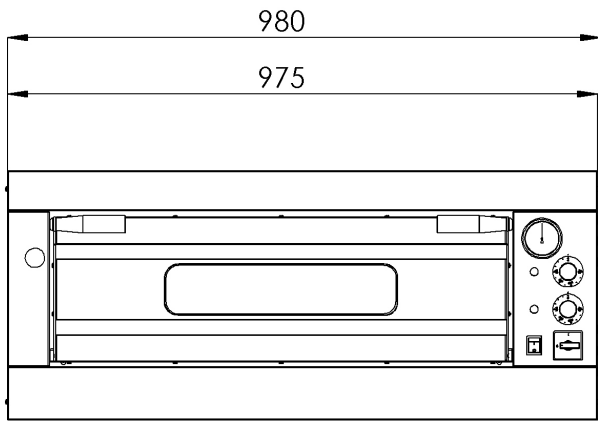
Sluk for den elektriske tilførsel og ring til sælgerens serviceorganisation.

### PAS PÅ!

Garantien omfatter ikke alle brugsdele, der er almindelig slidtage (gummitætninger, elektriske pærer, glas- og plasticdele). Garantien omfatter ikke anlæg, hvis installation af anlægget ikke er udført ifølge vejledningen af en berettiget person og ifølge de tilsvarende normer, og hvis der blev manipuleret ufagligt med anlægget (indgreb i anlæggets indre) eller hvis anlægget blev betjent af ukyndig personale og i modsætning til brugsvejledningen, endvidere garantien omfatter ikke skader forårsaget af naturfænomener eller en anden yderindgreb.

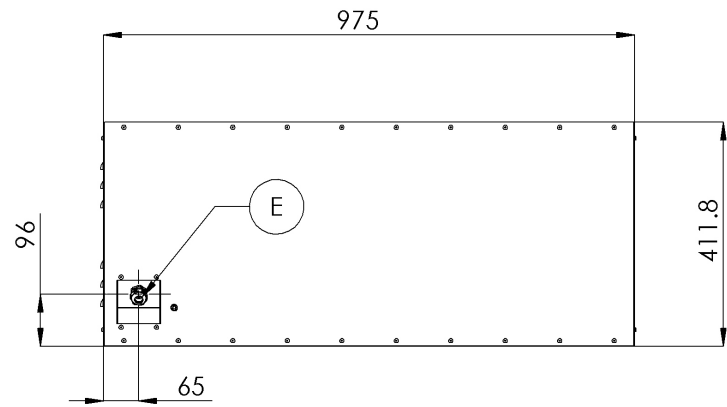
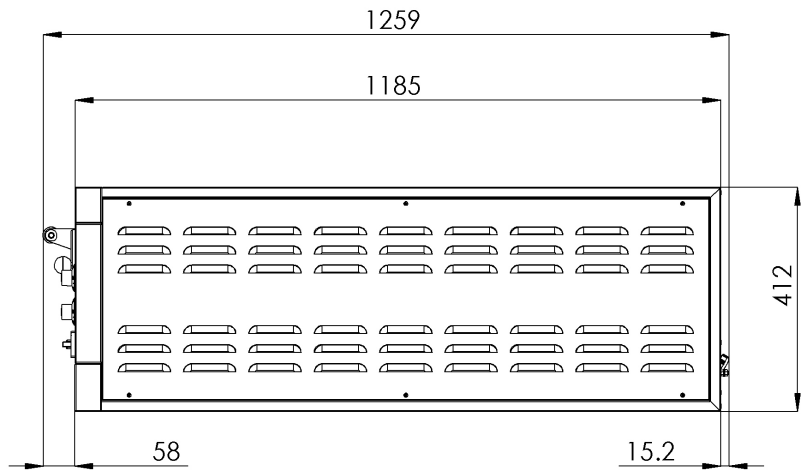
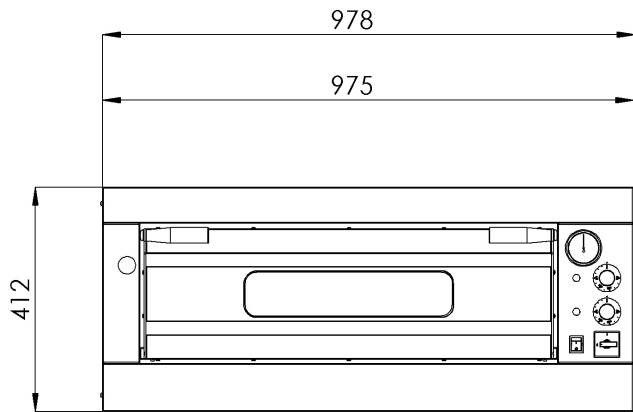
# eksploderet udsigt

E - 4



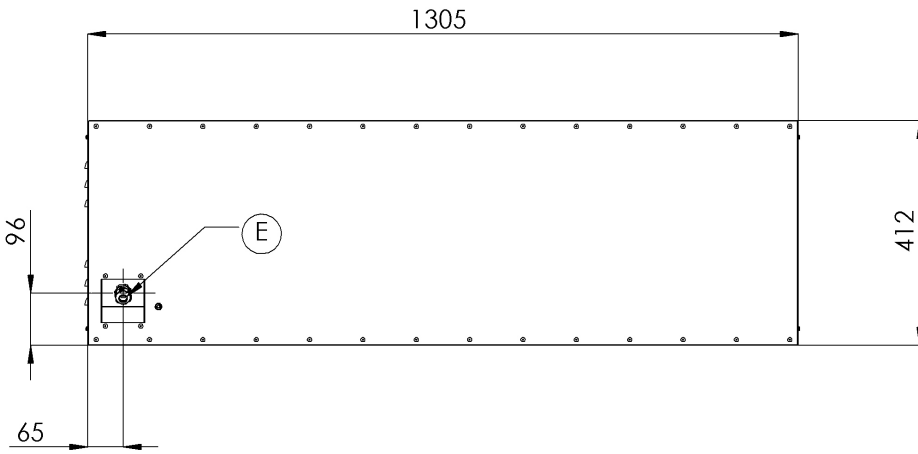
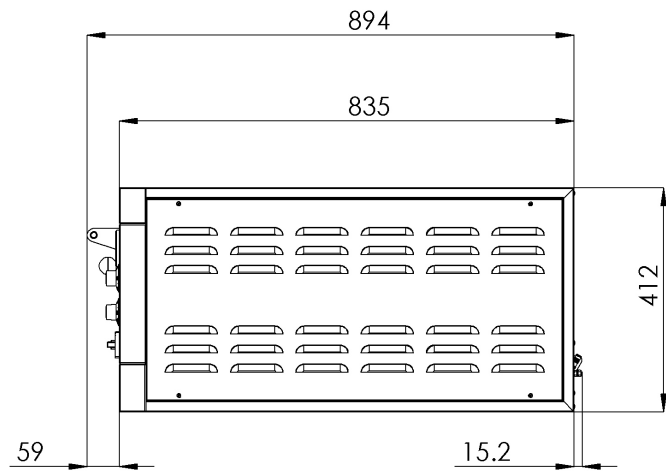
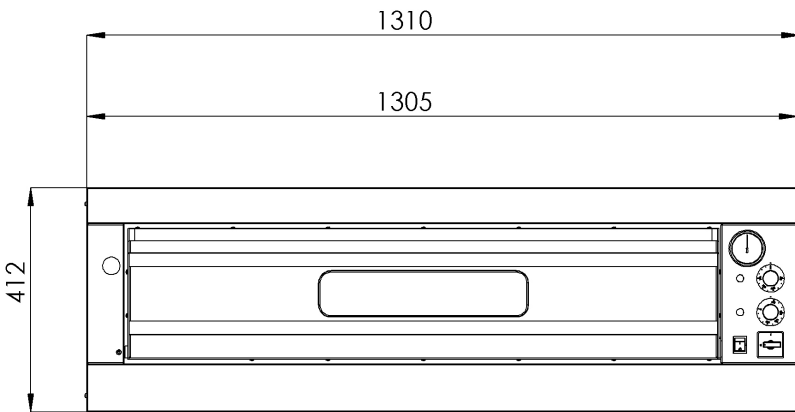
# eksploderet udsigt

E - 6



# eksploderet udsigt

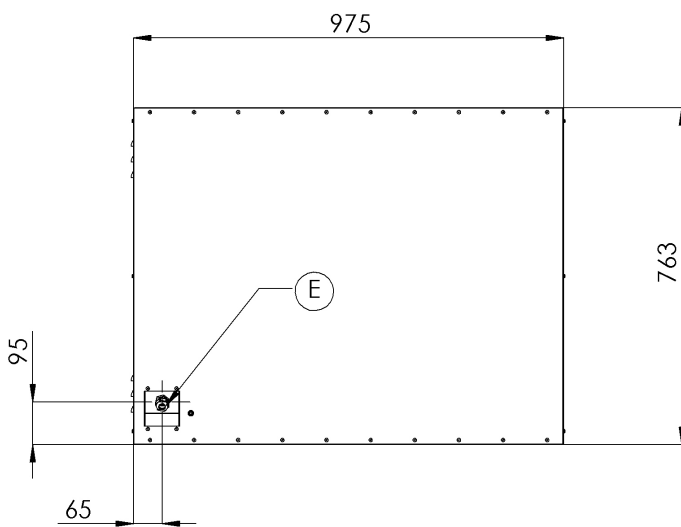
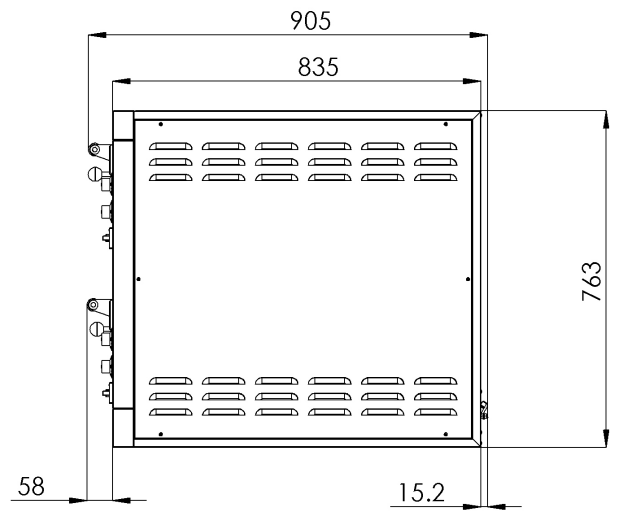
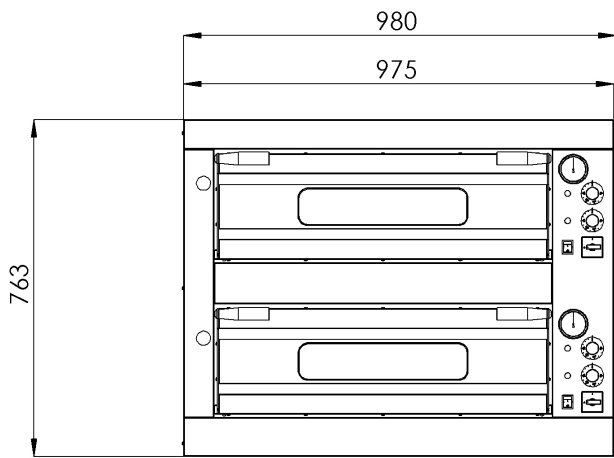
## E - 6 L





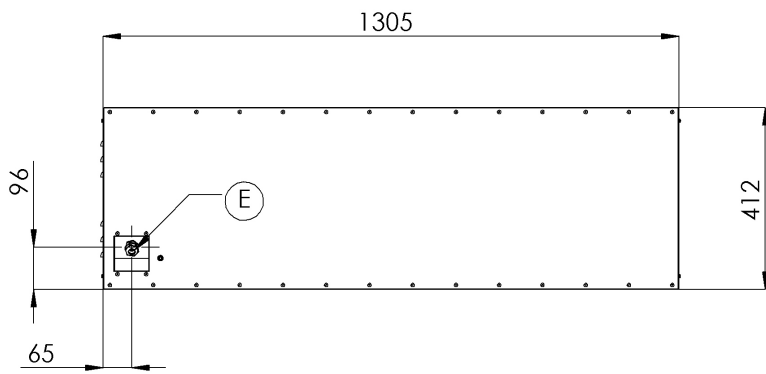
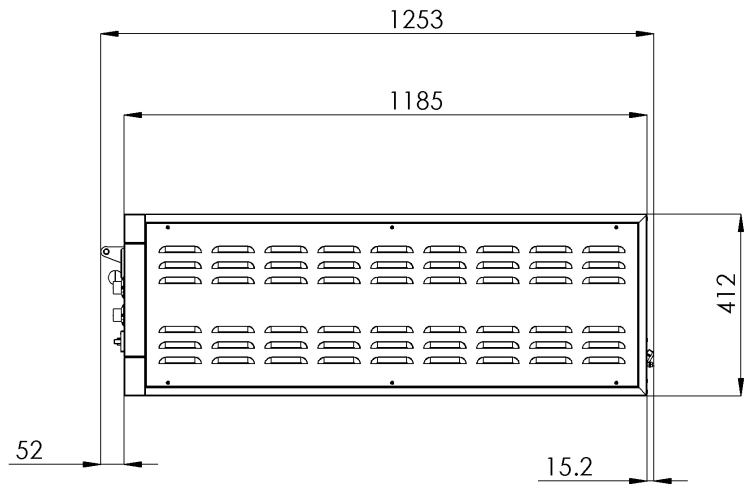
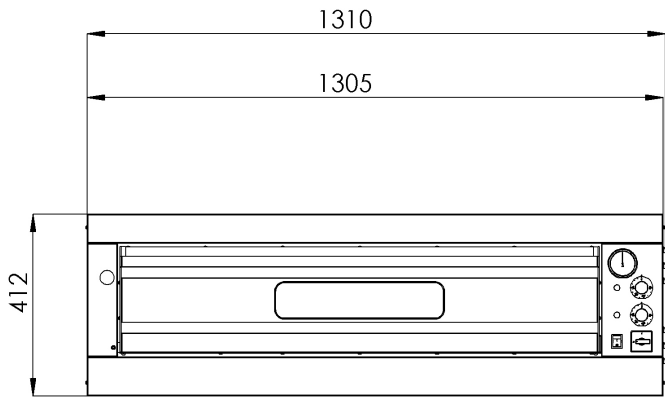
# eksploderet udsigt

E - 8



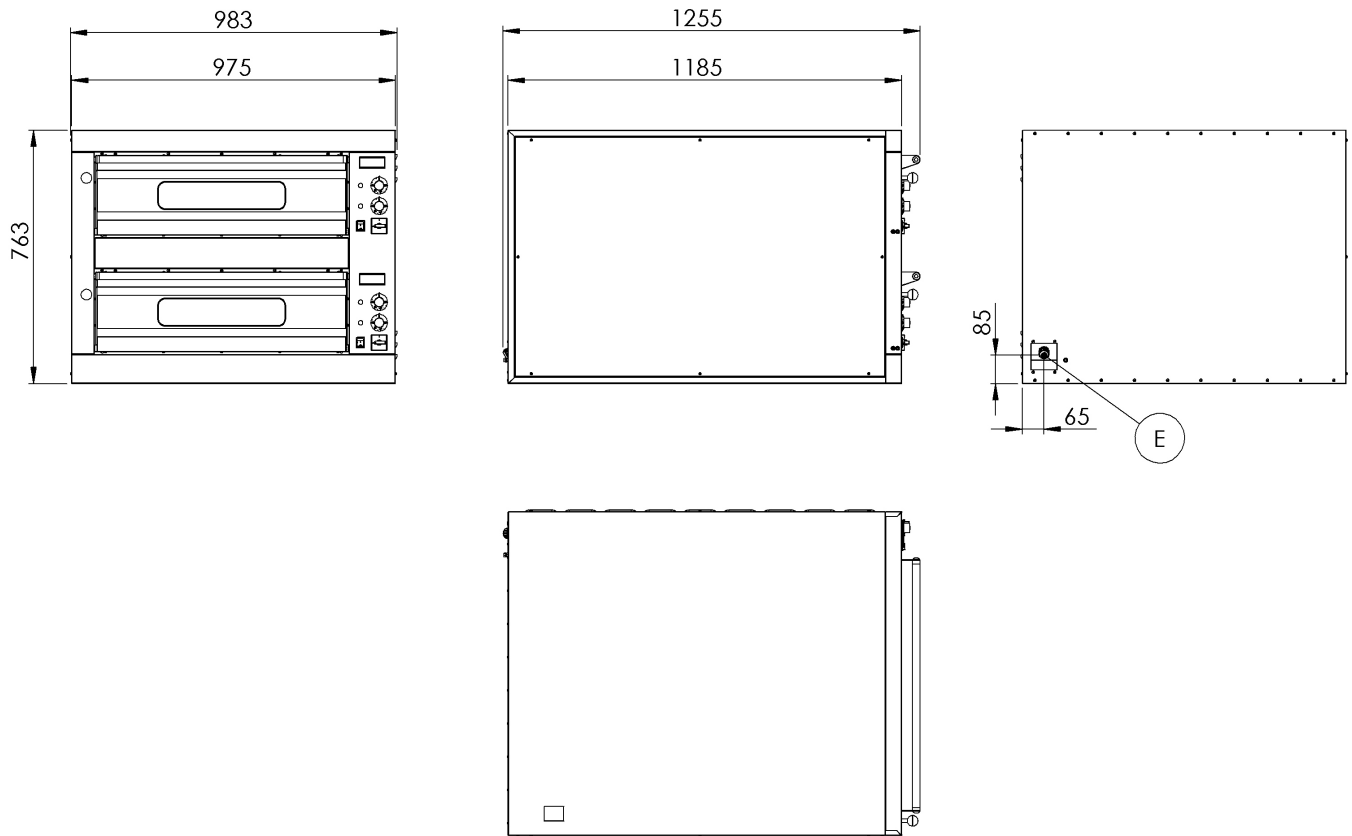
# eksploderet udsigt

E - 9



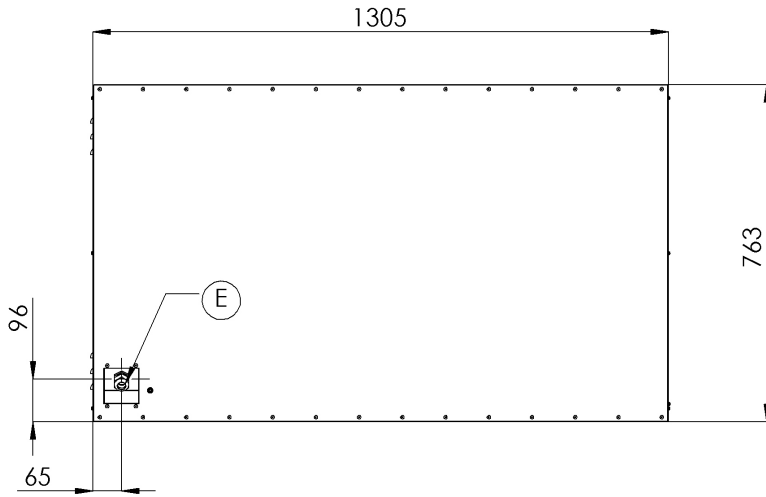
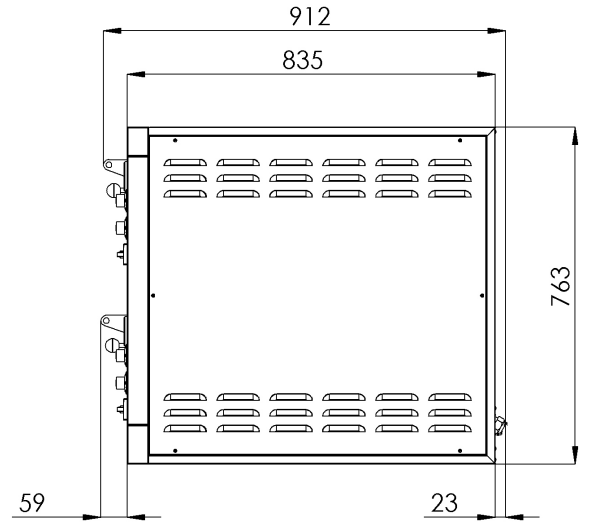
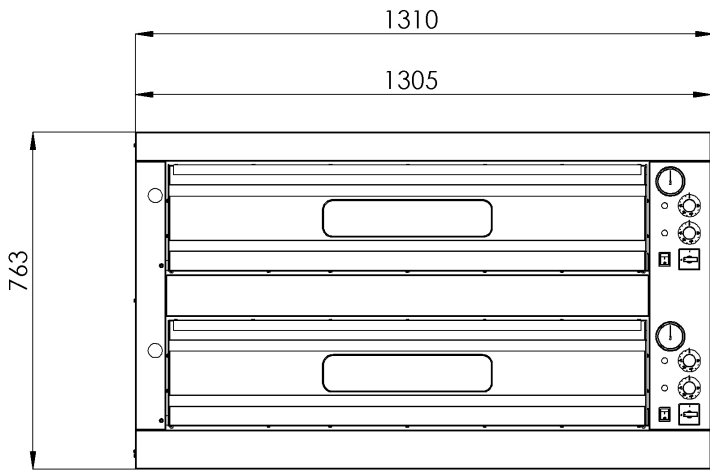
# eksploderet udsigt

E - 12



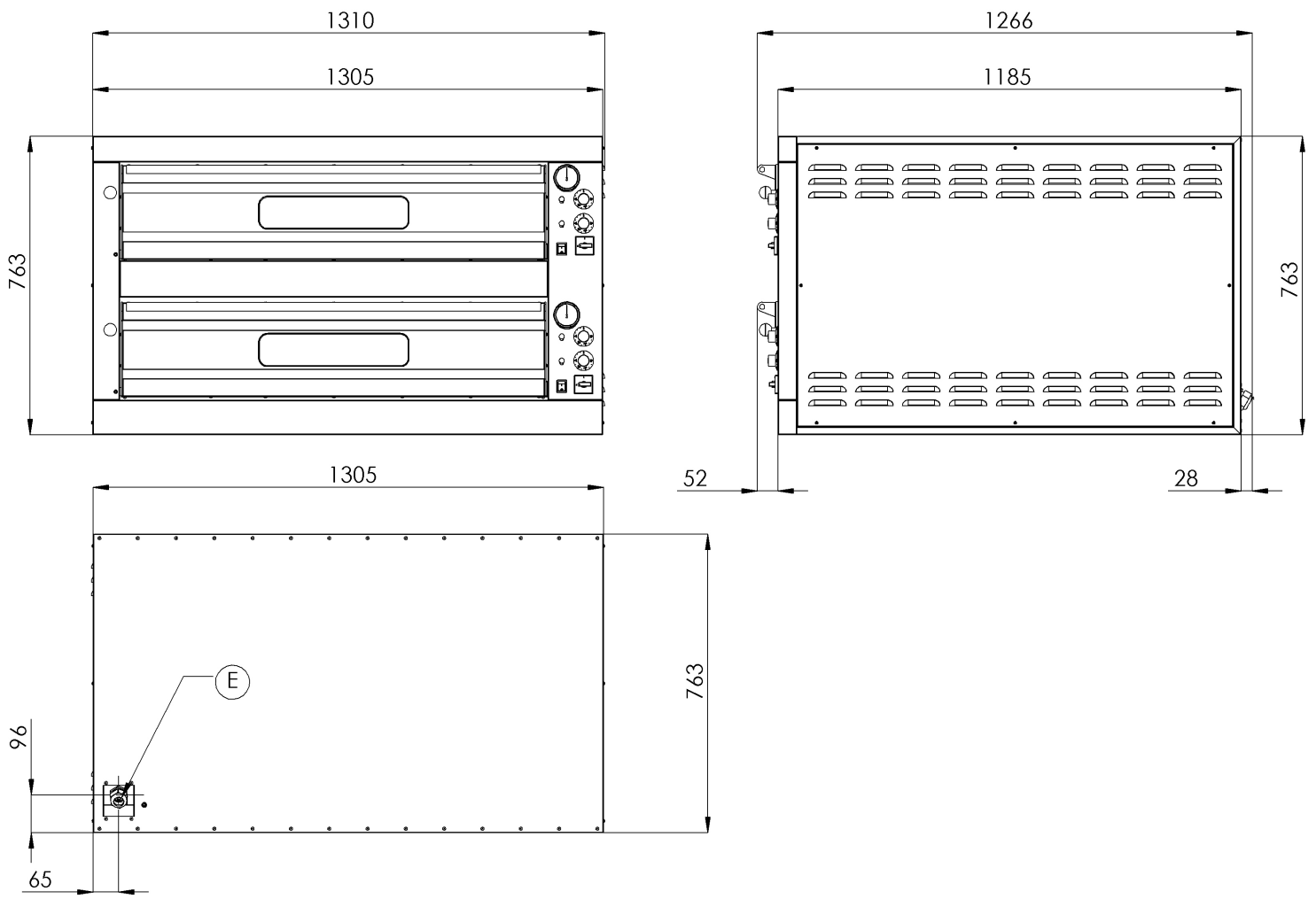
# eksploderet udsigt

## E - 12 L



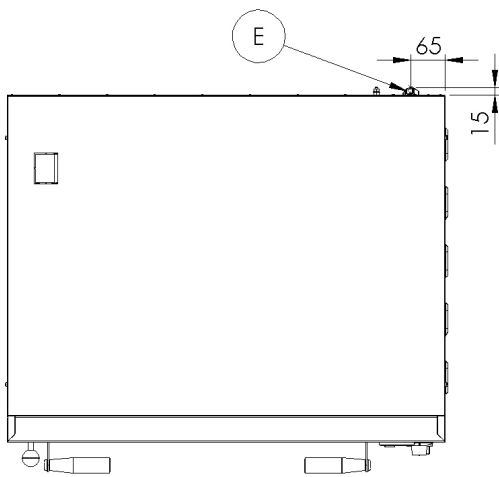
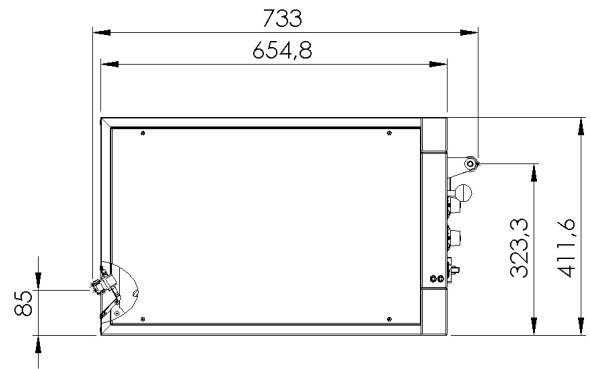
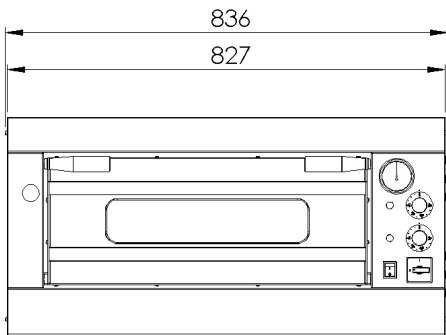
# eksploderet udsigt

E - 18



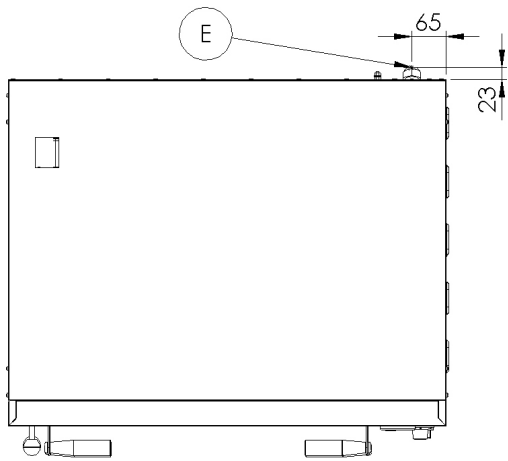
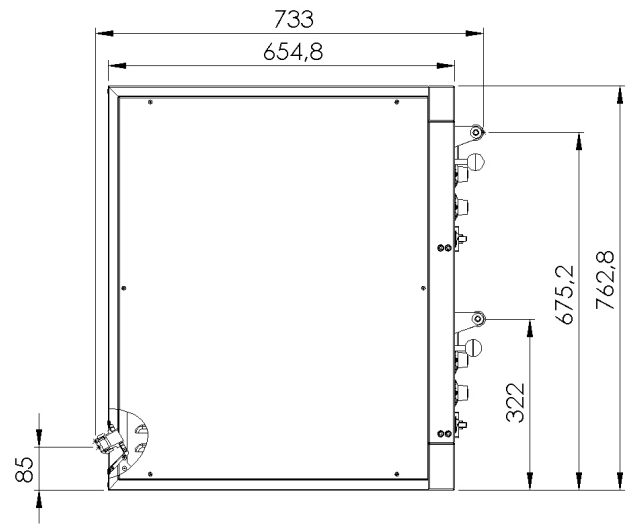
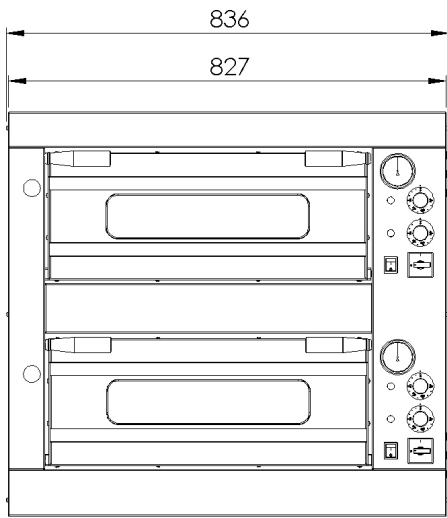
# eksploderet udsigt

E - 4/50



# eksploderet udsigt

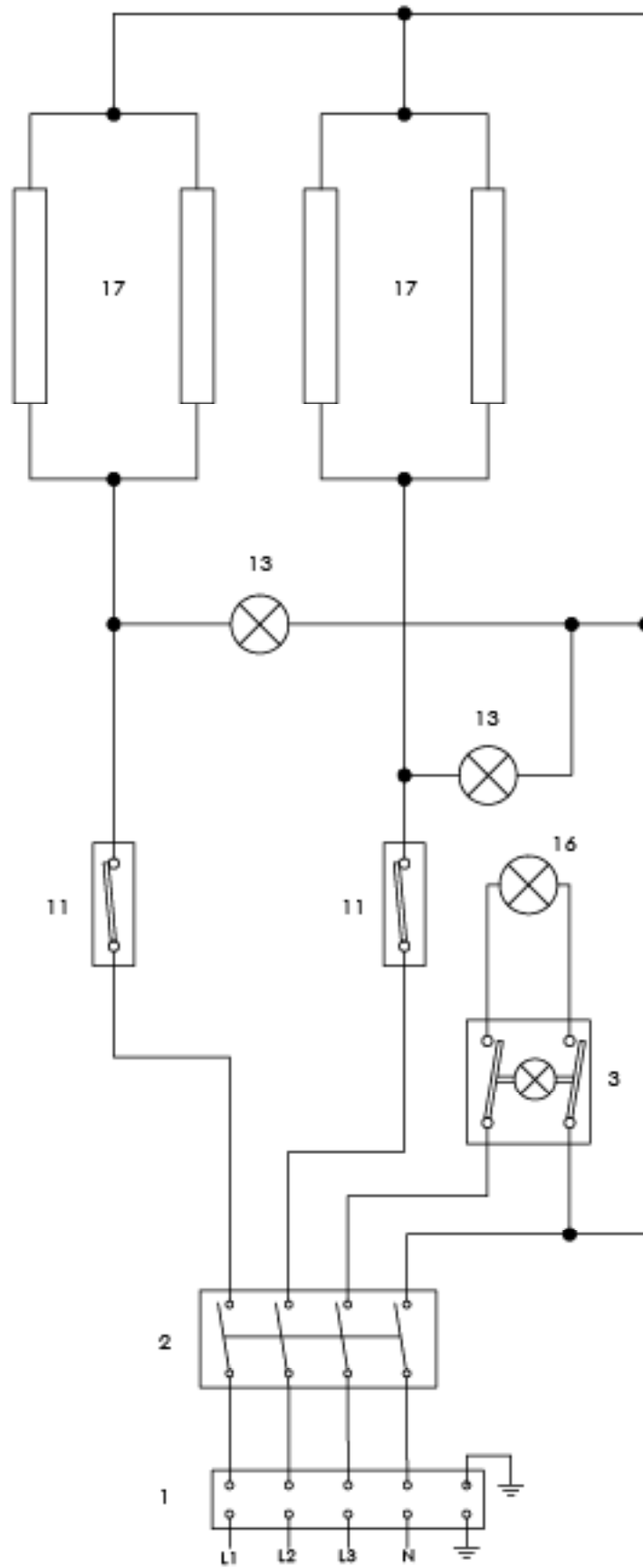
E - 8/50





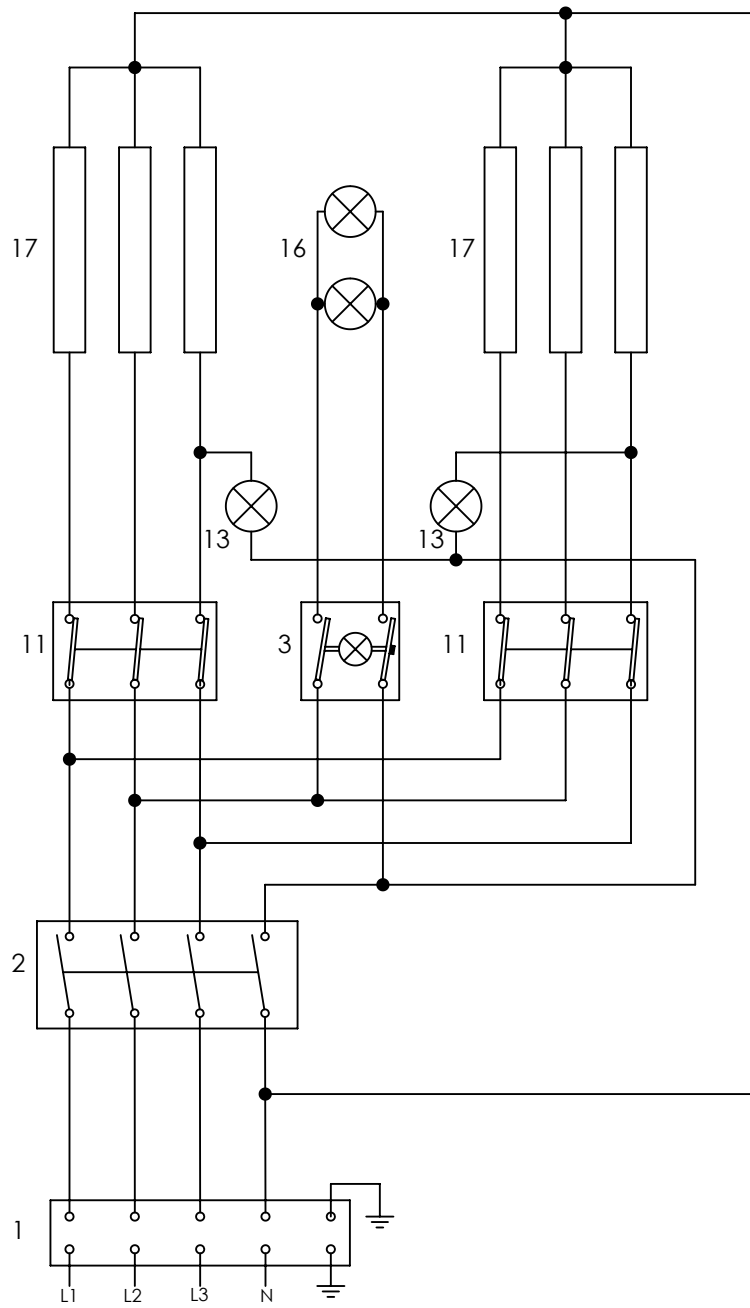
# TILSLUTNINGSSKEMAET

E - 4



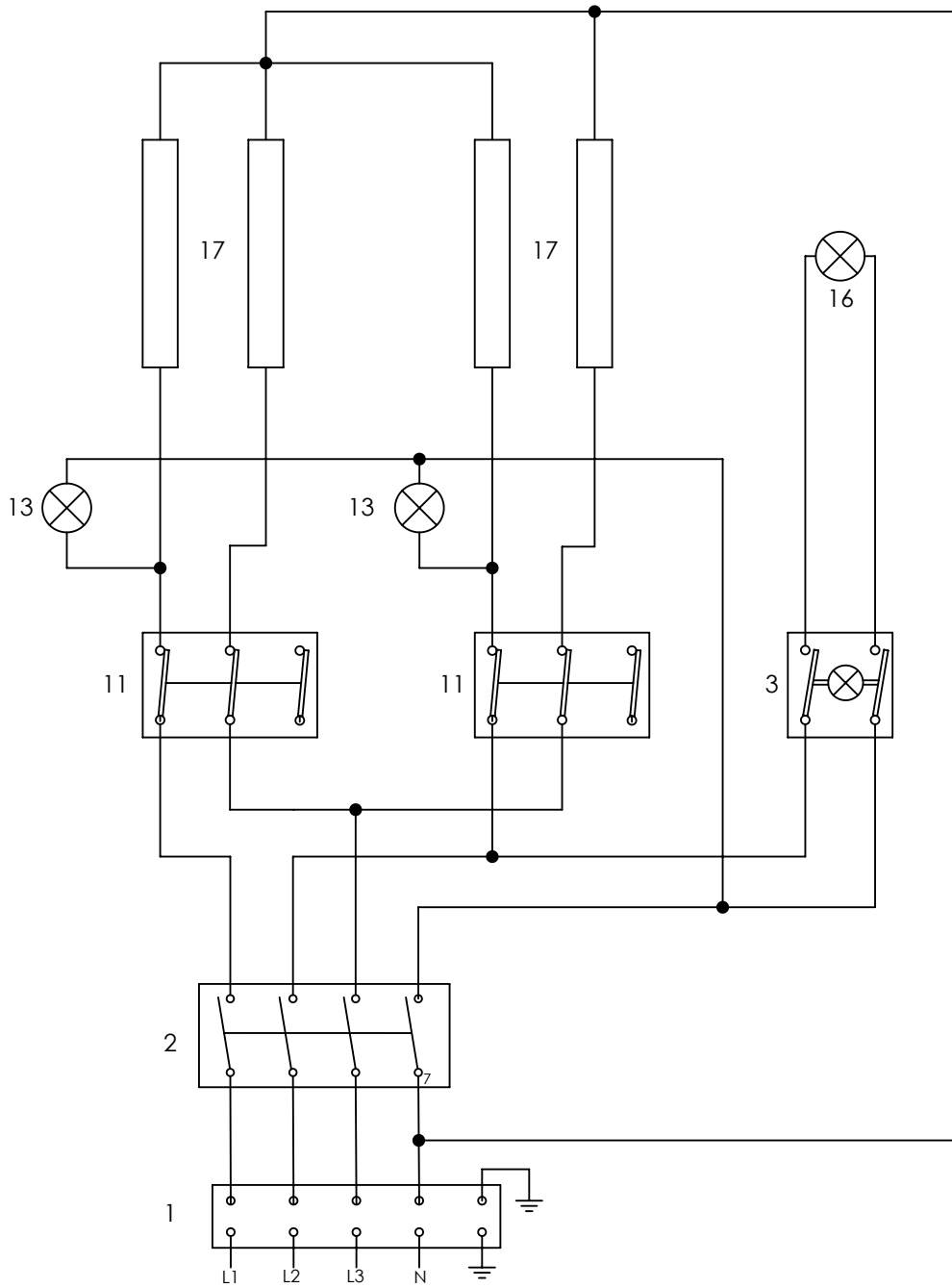
# TILSLUTNINGSSKEMAET

E - 6



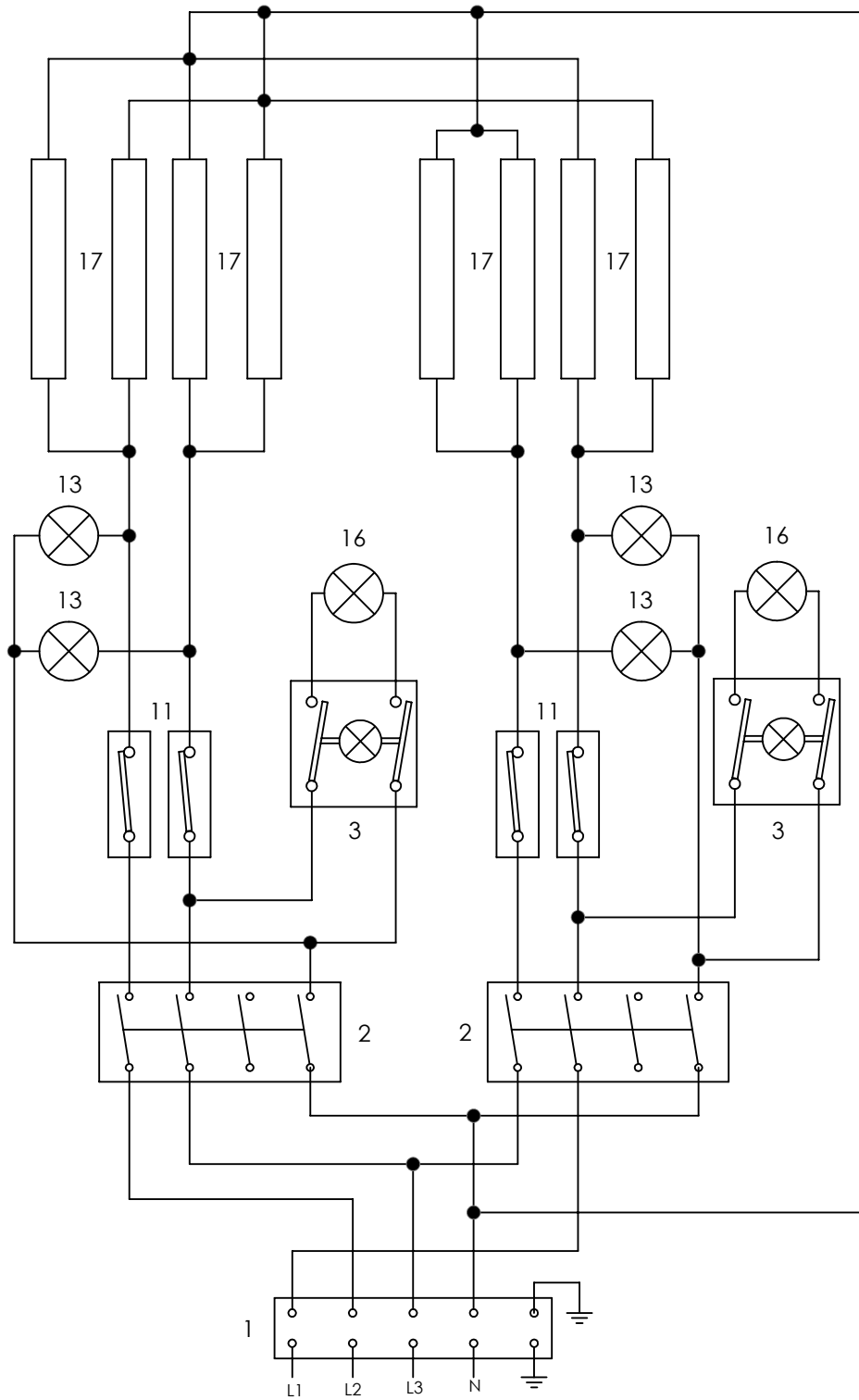
# TILSLUTNINGSSKEMAET

E - 6 L



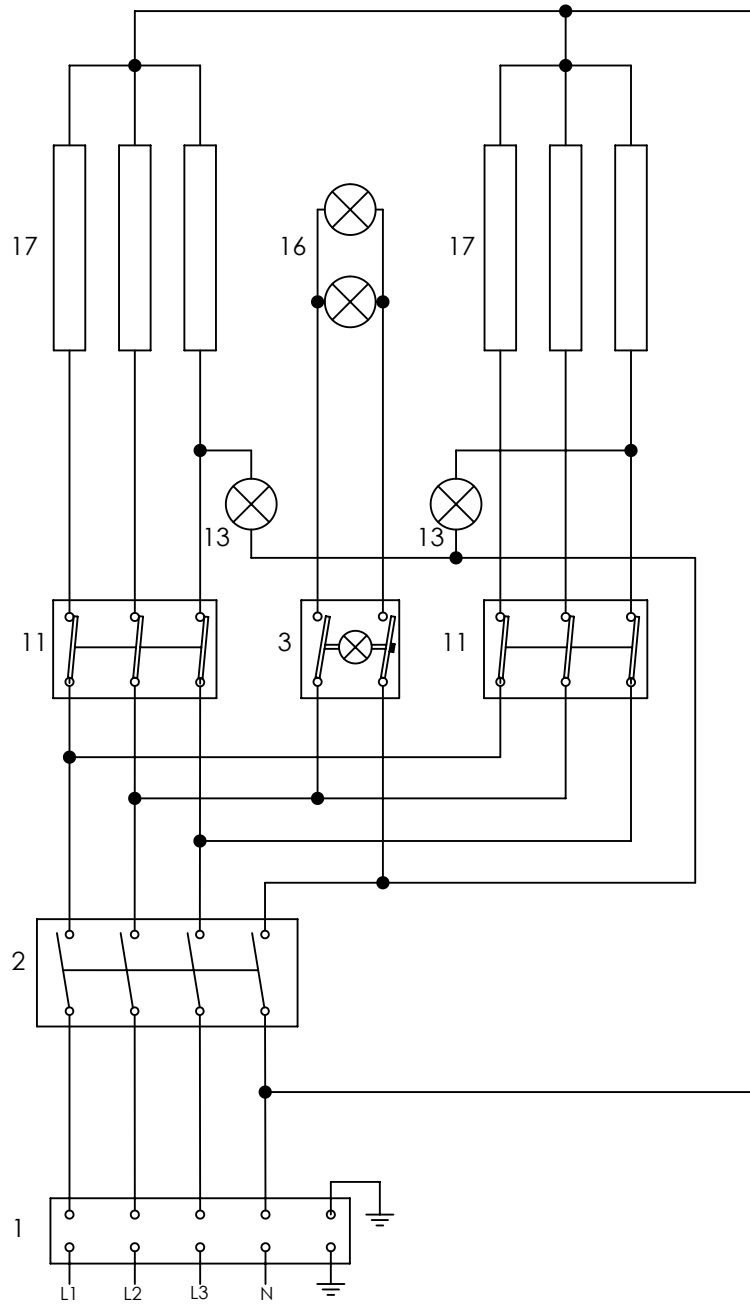
# TILSLUTNINGSSKEMAET

E - 8



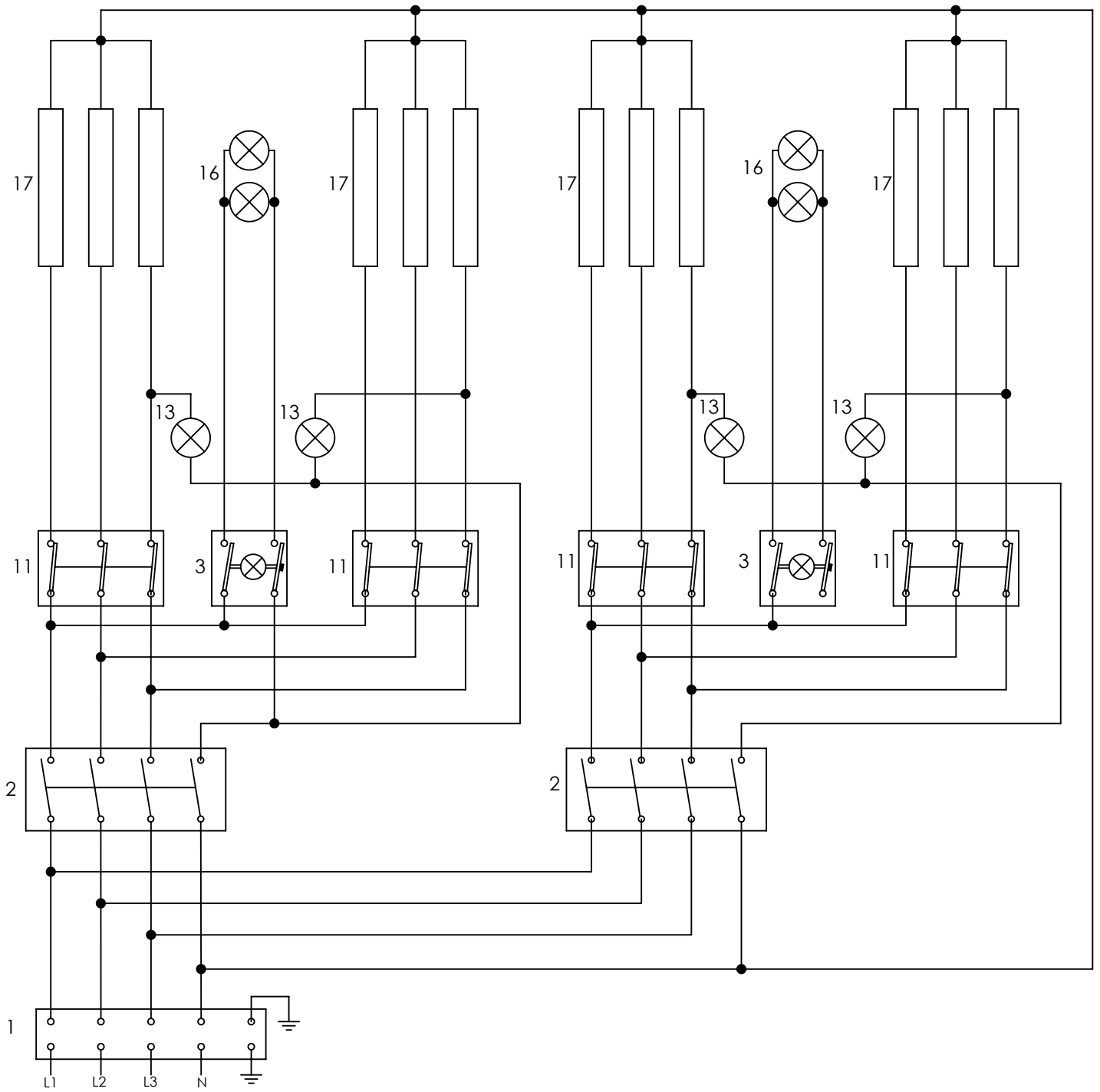
# TILSLUTNINGSSKEMAET

E - 9



# TILSLUTNINGSSKEMAET

E - 12





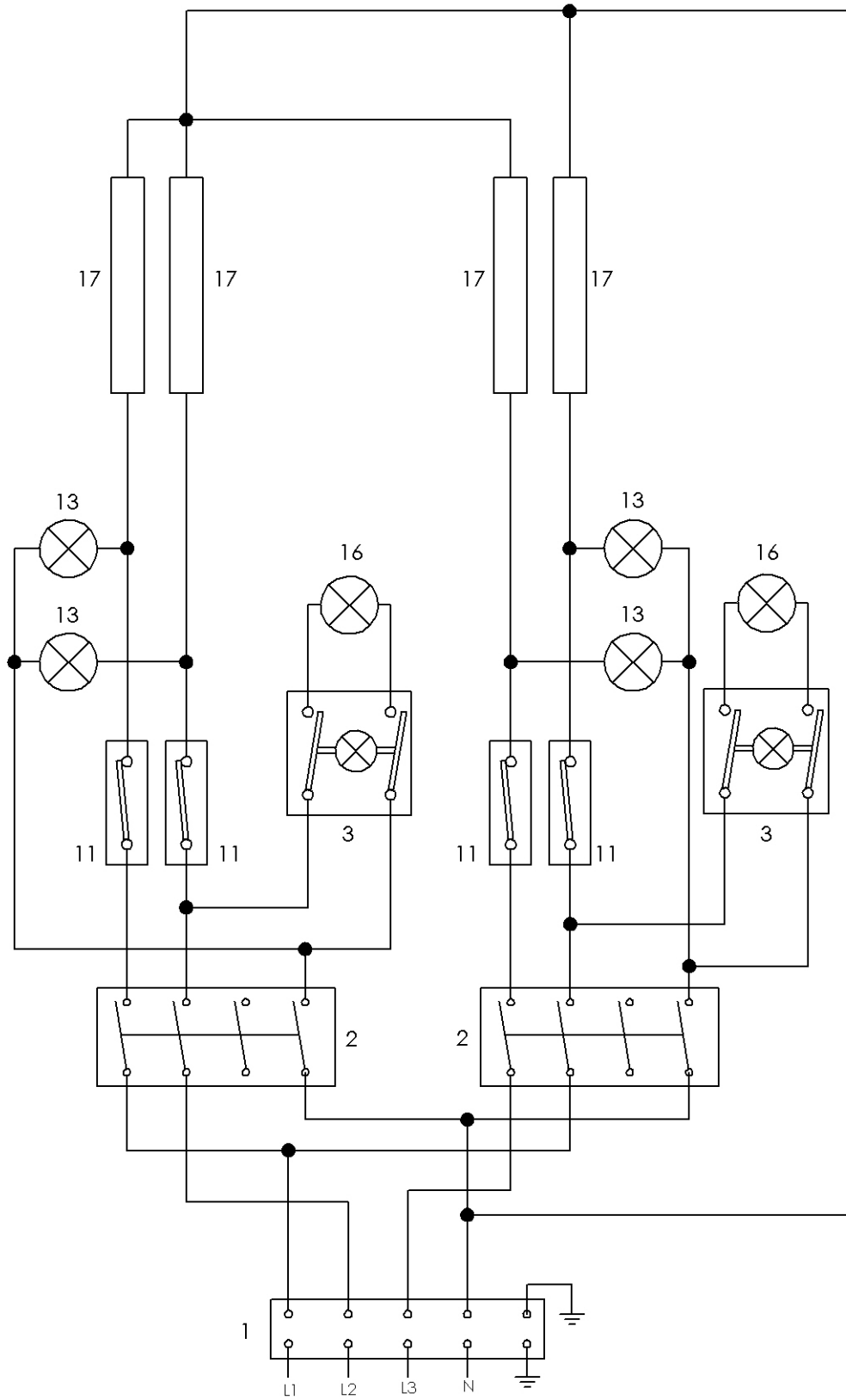






# TILSLUTNINGSSKEMAET

E - 8/50



MODEL	NAPON (V / Hz)	THERMOSTATS	SANGA max. (kW)	RAZMJER (cm)	RAZMJER KOMORA (cm)
E - 4	400 / 3N / 50	2	4,8	98 x 92 x 42 v	70 x 70 x 15 v
E - 6	400 / 3N / 50	2	7,2	98 x 121 x 42 v	70 x 105 x 15 v
E - 6 L	400 / 3N / 50	2	8,0	131 x 92 x 42 v	105 x 70 x 15 v
E - 8	400 / 3N / 50	4	9,6	98 x 92 x 76 v	2x 70 x 70 x 15 v
E - 9	400 / 3N / 50	2	12	131 x 127 x 42 v	105 x 105 x 15 v
E - 12	400 / 3N / 50	4	14,4	98 x 121 x 76 v	2x 70 x 105 x 15 v
E - 12 L	400 / 3N / 50	4	16,0	131 x 92 x 76 v	2x 105 x 70 x 15 v
E - 18	400 / 3N / 50	4	24,0	131 x 127 x 76 v	2x 105 x 105 x 15 v

## KONTROLA PAKOVANJA I APARATA

Uredjaj napušta naše skladište uredno zapakovan, na pakovanju se nalaze simboli i opis tipa aparata. U pakovanju ćete naći uputstvo za upotrebu. Ukoliko bi se na pakovanju vidjelo da je s njim bilo loše manipulirano, da je pakovanje oštećeno, morate to odmah riješiti sa prijevoznikom, a to tako što ćete s njim napisati i obostrano potpisati protokol o šteti. Kasnije reklamacije nećemo uzimati u obzir.



### Važno upozorenje

Ovo uputstvo mora biti pažljivo pročitano, budući da sadrži bitne informacije o sigurnosti, instalaciji i korištenju.

- Ove preporuke se odnose na ovaj proizvod ili liniju proizvoda.
- Ovo uputstvo se treba sačuvati i za buduće korištenje.
- Zabranite djeci da koriste uređaj.
- Prilikom preprodaje ili izmjene pozicije uređaja, neophodno je upoznati servis i osoblje sa priloženim uputstvom za upotrebu i instalaciju.
- Uredjaj smije koristiti samo poslušač koji je upoznat sa uputstvom.
- Nesmijete ostavljati uređaj bez nadzora.
- Preporučuje se kontrola autorizovanim servisom minimalno 2x godišnje.
- U slučaju oprave ili izmjene rezervnog dijela, koristite samo originalne dijelove.
- Uredjaj se ne smije čistiti vodom pod pritiskom (tuš ili crijevo sa vodom).
- U slučaju kvara, isključite aparat iz struje, prekinite dovod vode i/ili plina, a potom se obratite na autorizovani servis.
- Proizodjač ne snosi odgovornost u slučaju pogrešne instalacije, nedodržavanjem gore navedenih preporuka, odnosno neodgovornim korištenjem i sl.
- Uredjaj smije biti korišten samo k tomu čemu je namijenjen, drugi način korištenja može uzrokovati oštećenje aparata ili, čak, tjelesne povrede.
- Moramo najstrožije dodržavati pravila protivpožarne zaštite.

## POZICIJA

Za ispravan rad i položaj aparata neophodno je dodržavati smjernice i norme propisane u uputstvu.

Raspakujte uređaj i prekontrolirajte da se nije slučajno oštetiо tijekom transporta. Smjestite uređaj na vodoravnu podlogu (maksimalna neravnina do 2°). Male neravnine možemo regulirati nožicama.

Ako je aparat smješten tako da će biti u neposrednoj blizini namještaja, taj mora biti otporan na toplotu od 60°C. Instalaciju, podešavanje i početak korištenja mora biti proveden kvalifikovanom osobom, koja je k tomu povjerena od strane autorizovanog servisa.

Uredjaj može biti instaliran samostalno ili u seriji sa ostalim našim proizvodima. Obavezno dodržavajte minimalnu udaljenost 10 cm od lako zapaljivih predmeta. U takvom slučaju, moraju biti provedene određene izmjene kako bi izolirale zapaljive materijale.

Uredjaj smije biti instaliran samo na nezapaljivoj površini i pored vatrostalnog zida.

## INSTALACIJE

### Važno:

Proizvodjač ne daje nikakvu garanciju na greške uzrokovane neispravnim korištenjem, nepridržavanjem danih instrukcija ili neodgovornim korištenjem proizvoda.

Instalaciju, izmjene i oprave, a jednako tako i demontažu, ukoliko je aparat oštećen, može provesti samo odgovorna osoba, a to povjerena autorizovanim servisom. I to na osnovu ugovora o prodaji i održavanju koji može biti sklopljen samo sa oficijalnim predstavnikom proizvođača, a mora sadržavati sve tehničke propise i norme koje se tiču instalacije, dovoda struje i plina, te bezbjednosti rada.

Tehničke instrukcije za instalaciju i podešavanje služe samo SPECIJALIZIRANIM serviserima.

Instrukcije, koje slijede tiču se tehničara kvalifikovanih za instalaciju uređaja, a da bi to učinili na što korektniji i odgovorniji način, a to prema zadanim normama.

Bilo koja djelatnost vezana za regulaciju i sl., mora biti provedena samo kada je aparat isključen i prekinut dovod plina i/ili vode. Dok aparat ne isključite i odpojite, budite maksimalno oprezni i pažljivi prilikom rukovanja.

Kakav trebate koristiti odvod dima, možete vidjeti na naljepnici sa deklaracijom tipa aparata, radi se o aparatima tipa A1.

## BEZBJEDNOSNE MJERE PROTIVPOŽARNE ZAŠTITE

- Koristiti uređaj smiju samo odrasle osobe.
- Uređaj smije biti korišten samo u tome namijenjenom prostoru.
- Uređaj postavite tako da stoji na vatrostalnoj podlozi.

**Na uređaj i u njegovoj blizini ne smiju biti postavljeni lako zapaljivi predmeti (najmanja dozvoljena udaljenost između aparata i zapaljivih materijala je 10 cm).**

- Informacije o stupnju zapaljivosti uobičajenih građevinskih materijala možete vidjeti na tabeli. Uređaj mora biti instaliran na bezbjednom mjestu. Prilikom instalacije moraju biti respektovani priloženi projektni materijali, sigurnosni i higijenski propisi.

<b>Stupanj zapaljivosti</b>	<b>Gradjevinski materijal</b>
<b>A</b> - nezapaljive	granit, pijesak, beton, cigle, keramičke pločice, žbuka
<b>B</b> - teško zapaljive	akumin, heraklit, lihnos, itaver
<b>C1</b> - veoma zapaljive	drvo, sirkoklit, tvrdi papir, sadrokarton
<b>C2</b> - srednje zapaljive	iverica, solodur, pluto, guma, linoleum
<b>C3</b> - lehce hořlavé	dřevovláknité desky, polystyrén, polyureten, PVC

Uredjaji moraju biti instalirani na bezbijedan način. Prilikom instalacije uredjaja moraju biti

## PRIKLJUČIVANJE EL. KABLA U STRUJU

Instalacija dovoda struje - taj dovod mora imati svoj poseban osigurač. A to odgovarajući prema snazi i naponu instalovanog aparata. Ove podatke ćete naći na naljepnici sa zadnje ili bočne strane aparata.

Uzemljenje može biti duže od ostalih spojnica. Uredjaj pripojite direktno na struju, a neophodno je da instalirate medju uredjajem i strujom prekidač, i to na udaljenosti 3mm medju samostalnim kontaktima, tako da bi odgovarao važećim normama i opterećenju. Uzemljenje (žuto-zeleno) ne smije biti tim prekidačem prekinuto. Aparat je predvidjen da se uključi u utičnicu, ukoliko ima odgovarajući osigurač.

U svakom slučaju, dovod mora biti postavljen tako da kabel niti na jednom mjestu ne može imati toplotu višu za 50 stupnjeva od sredine u kojoj se nalazi. Prije nego što kabel spojite, uvjerite se da:

- osigurač i razvodi mogu podnijeti opterećenje samog aparata (pogledaj naljepnicu)
- razvodi imaju odgovarajuće uzemljenje a to prema normama i uslovima određenim zakonom
- utičnica ili prekidač su lako pristupni.

**Ne preuzimamo bilo kakvu odgovornost u slučaju da se nisu dane instrukcije respektovale ili ako se nije postupalo prema danim uputama.**

Prije prve upotrebe pročitajte poglavlje „čišćenje i održavanje“. Uredjaj mora biti uzemljen pomoću već označenih šarafa.

# UPUTSTVO ZA UPOTREBU

## Pozor!

Prije nego što počnete pećnicu koristiti, neophodno je sa cijele površine nehrdjajućeg pleha skinuti zaštitnu foliju, a potom ga dobro oprati pomoću deterdženta za sudje, a na kraju ga obrisati vlažnom krpom. Prije nego što počnemo peći, pustite pećnicu cca. 4 sati da radi na 300 °C, tako da bi sagorjeli ostatci konzervacijskih sredstava.

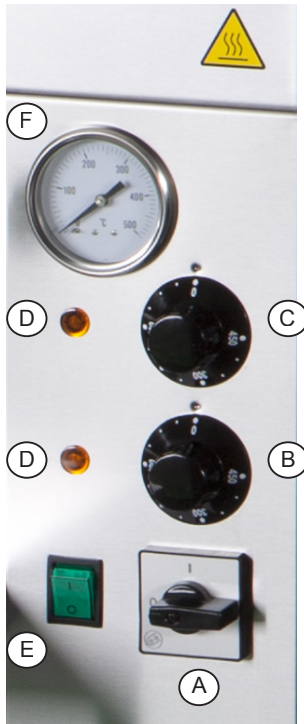
Uredjaj uključite tako što okrenete glavni ovladač do položaja „I“, a to prema etiketi na prekidaču. Potom je uredjaj uključen. Pomoću regulacijskog dugmeta termostata, možete nezavisno na sebi, upaliti gornje (C) ili donje (B) grijače, koji, kada namjestimo željenu temperaturu, počnu raditi. Funkciju grijača signalizira rasvijetljena lampica (D) za gornji i donji dio komore. Da bi isključili grijače, potrebno je okrenuti ovladač na 0, za odgovarajuću komoru. Unutrašnje osvjetljenje komore se uključuje pomoću prekidača (E), tako što ga postavimo do pozicije „I“, a da bi ga isključili, u poziciju 0. Svjetlo funkcioniše samo u slučaju ako je uredjaj uključen u struju pomoću glavnog prekidača (A). Prije nego što uredjaj potpuno isključite, provjerite da li su grijači i svjetlo isključeni, potom glavni prekidač možete okrenuti do pozicije 0.

Prilikom prvog uključivanja je neophodno namjestiti temperaturu na 300 °C i ostaviti pećnicu upaljenu 4 sati, potom možemo početi sa njenim uobičajenim korištenjem.

## Preporuke:

- Tokom pečenja pizze, obavezno je kontrolirati i, eventualno, okretati prema potrebi, a to iz razloga da bi bila ravnomjerno ispečena.
- Prije nego što počnemo peći, uključite komoru i termostate na maximum, a kada dođemo željenu temperaturu, snižite toplotu termostata na radnu.
- Toplota na gornjem i donjem termostatu nije uglavnom ista (niža toplota je na donjem termostatu).
- U slučaju uključene i prazne peći, raste toplota šamotne ploče od gornjih grijača.
- U dvospratnih peći dolazi do prenošenja toplote između gornje i donje komore, a tako i obratno.
- Redovno čistite šamotne ploče odgovarajućim sredstvima.
- Za svaku pećnicu je moguće dokupiti i odgovarajući alat.
- Svjetlo uključite samo prilikom pečenja, time ćete produžiti njegovu trajnost.
- Ukoliko dodje do zaparavanja pećnice, moguće je otvoriti dimnjak ručicom koja se nalazi na lijevoj strani pećnice.

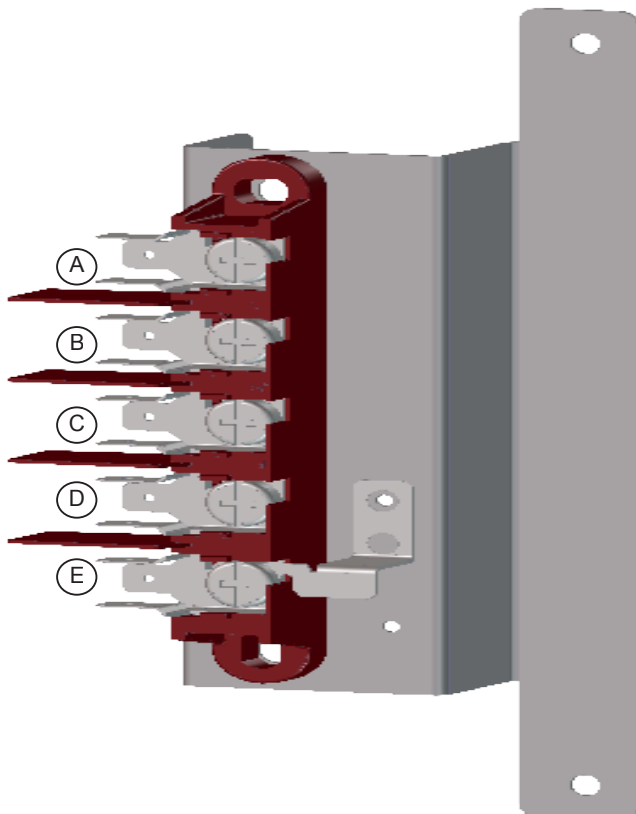
## KONTROLNI PANEL (SL. 1)



- (A) Glavni prekidač
- (B) Regulacijsko dugme donjeg termostata
- (C) Regulacijsko dugme gornjeg termostata
- (D) Kontrola toplote
- (E) Prekidač svjetla
- (F) Toplomjer
- (G) Ručica dimnjaka



## SPAJANJE STRUJNOG KABLA (SL. 2)



- (A) L1(faza)
- (B) L2
- (C) L3
- (D) nula
- (E) uzemljenje



## ČIŠĆENJE I ODRŽAVANJE

Poslije dnevnog korištenja aparata, potrebno ga je očistiti prema danim higijenskim normama. Odgovarajućom špahtlom ili finom žičanom četkom odstranite ostatke hrane. Moramo biti veoma oprezni, tako da ne bi došlo do oštećenja šamotne ploče.

### **POZOR!**

Aparat ne smijete čistiti vodom koja je pod pritiskom; npr. tuš, crijevo. Čistite ga svakodnevno. Dnevno održavanje produžava život i upotrebnu vrijednost aparata. Prije početka čišćenja, provjerite da li ste aparat isključili iz struje. Uvijek provjerite glavni dovod. Dijelove od nehrdjajućeg čelika čistite vlažnom krpom i tekućim deterdžentom za sudje, potom operite čistom vodom i detaljno osušite. Nemojte koristiti abrazivna ili korozivna sredstva za čišćenje.

**Pozor!** Prije nego što počnete aparat koristiti, sa cijele njegove površine skinite zaštitne folije, dobro ga operite vodom i deterdžentom za sudje, a potom obrišite vlažnom krpom.

Šta učiniti u slučaju kvara?

Isključite aparat iz struje i nazovite autorizovani servis.

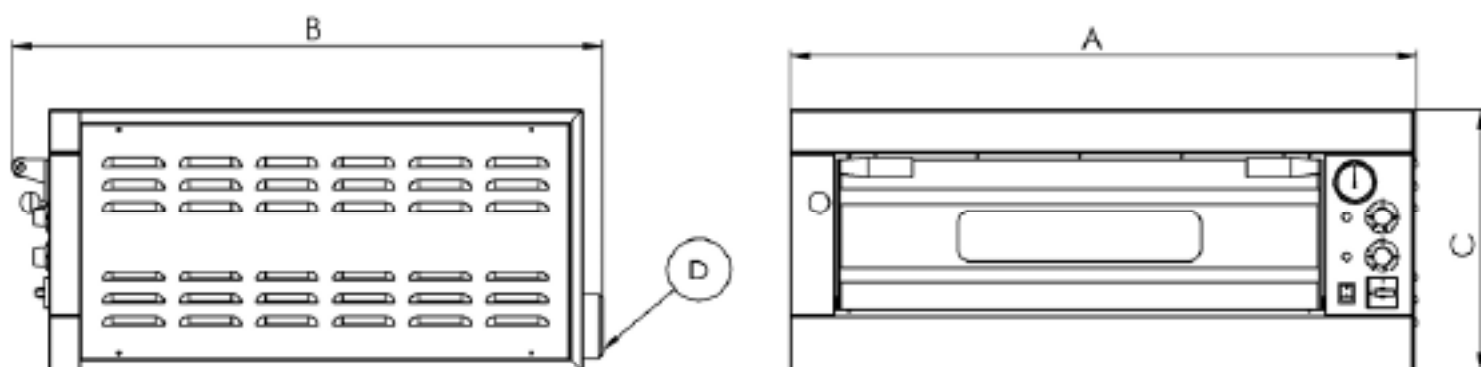
### **UPOZORENJE**

Garancija se ne odnosi na potrošne dijelove (kao što su: gumice, lampice, stakleni i plastični dijelovi...). Garancija se također ne odnosi na uređaj koji nije priključen i instaliran prema uputama, odgovornim serviserom, a prema danim normama. Isto tako, ukoliko su bile napravljene izmjene ili oprave koje nisu predviđene (oprave unutrašnje instalacije) ili ako je uređaj korišten nepoučenim ili neprofesionalnim osobljem, odnosno protivno instrukcijama navedenim u uputstvu za upotrebu. Također, garancija ne vrijedi ukoliko ja aparat oštećen vanjskim ili klimatskim uticajima.

**Neophodno je provoditi kontrolu uređaja svakih 6 mjeseci. Tu kontrolu treba da provede autorizovani serviser. U slučaju ne dodržavanja ove preporuke, proizvođač se ogradjuje od bilo kakve odgovornosti za štetu na imovini ili zdravlju.**

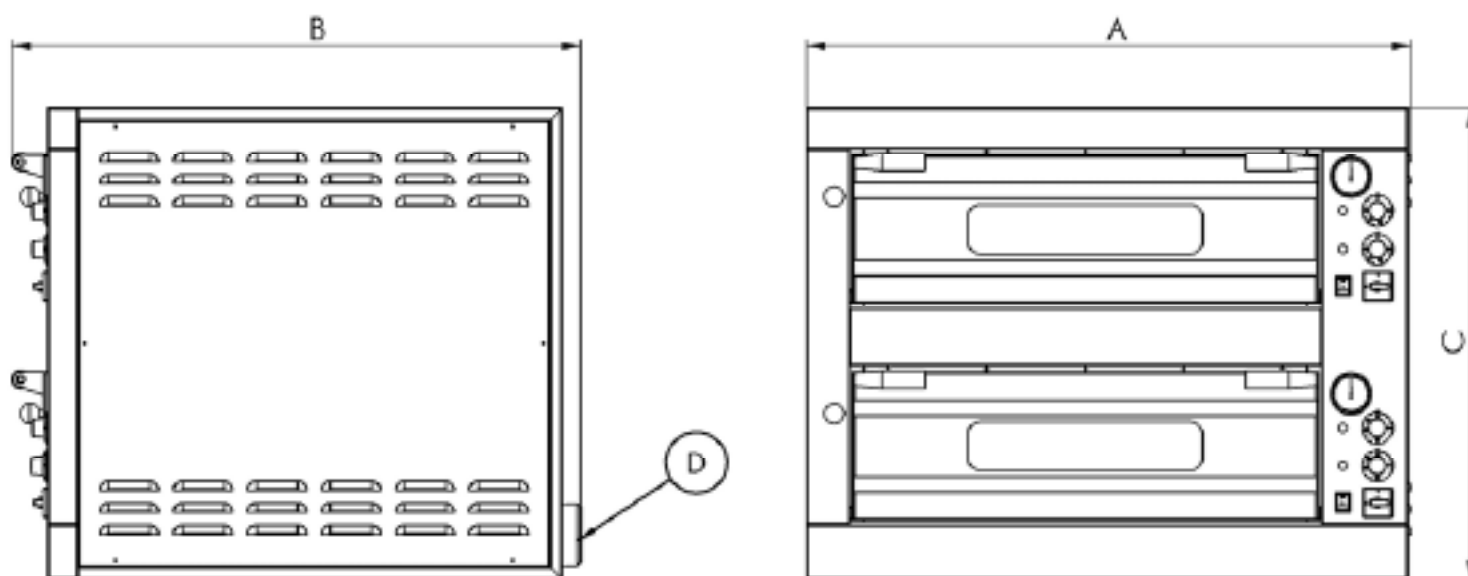
**Ambalažu pakovanja i uređaj poslije kraja njegove upotrebne vrijednosti, predajte na otpad, a to prema danim propisima o likvidaciji.**

**DIMENZIONALNA SLIKA**  
**DIMENSION PLANS / MASSKIZZEN / DIMENSIONS**  
**E - 4, 6, 6L, 9, 9L**



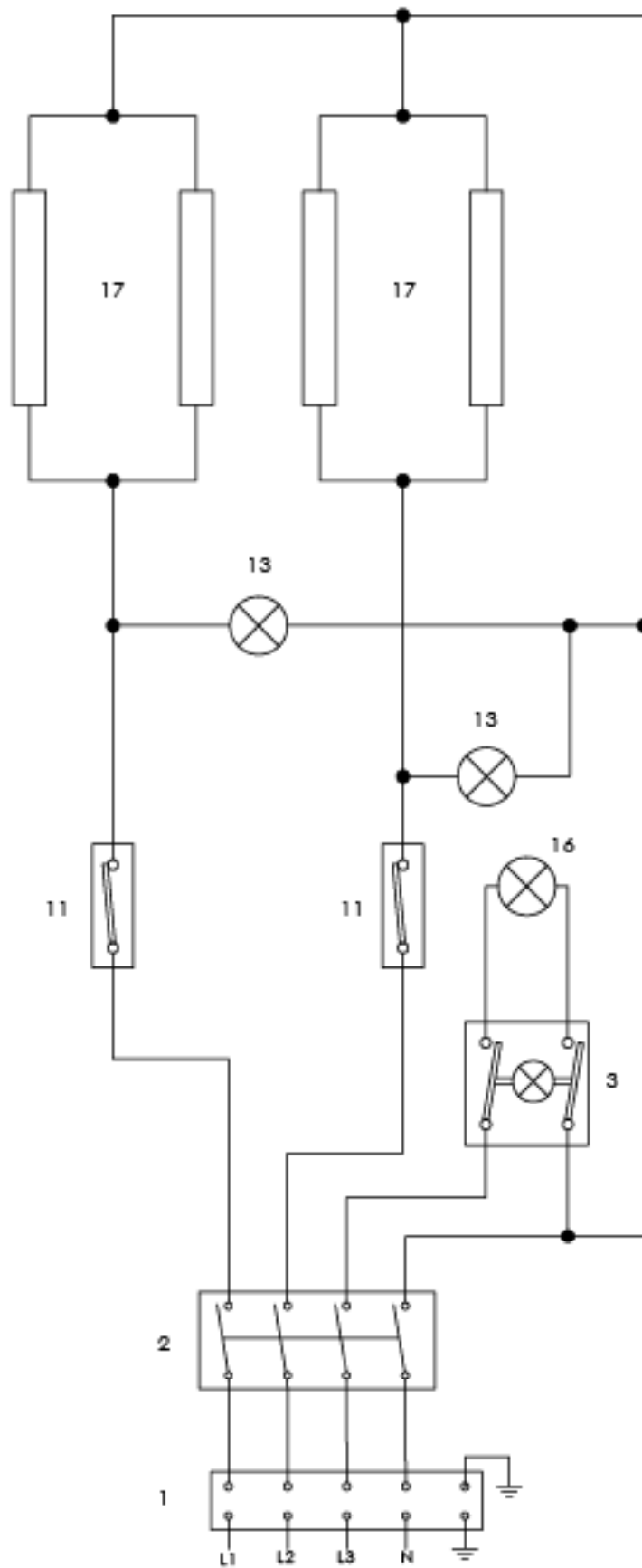
TYPE	A (CM)	B (CM)	C (CM)
E - 4	98	92	42
E - 6	98	127	42
E - 6 L	131	92	42
E - 9	131	127	42

**DIMENSION PLANS / MASSKIZZEN / DIMENSIONS**  
**E - 8, 12, 12L, 18**

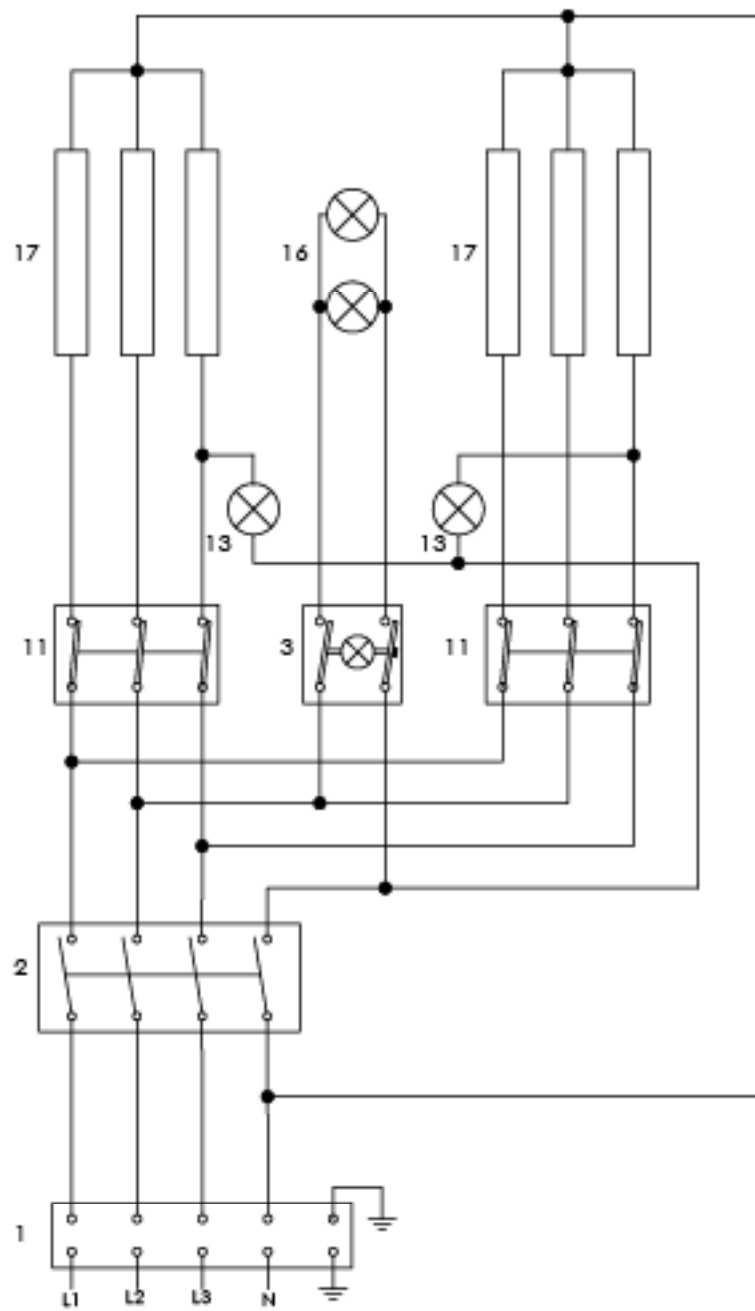


TYPE	A (CM)	B (CM)	C (CM)
E - 8	98	92	78
E - 12	98	127	75
E - 12 L	131	92	75
E - 18	131	127	75

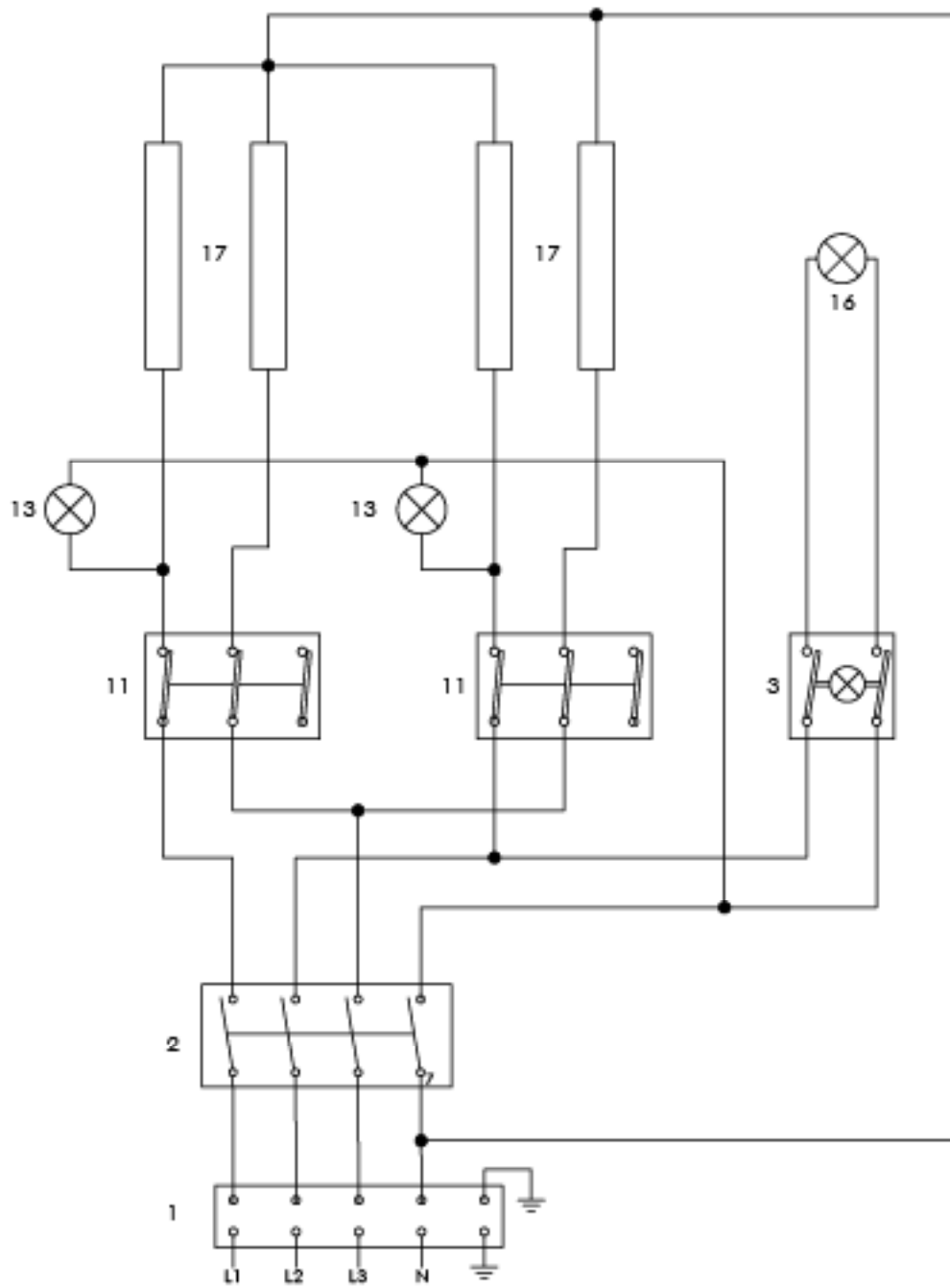
# HEMA PRIKLJUČKA: E - 4



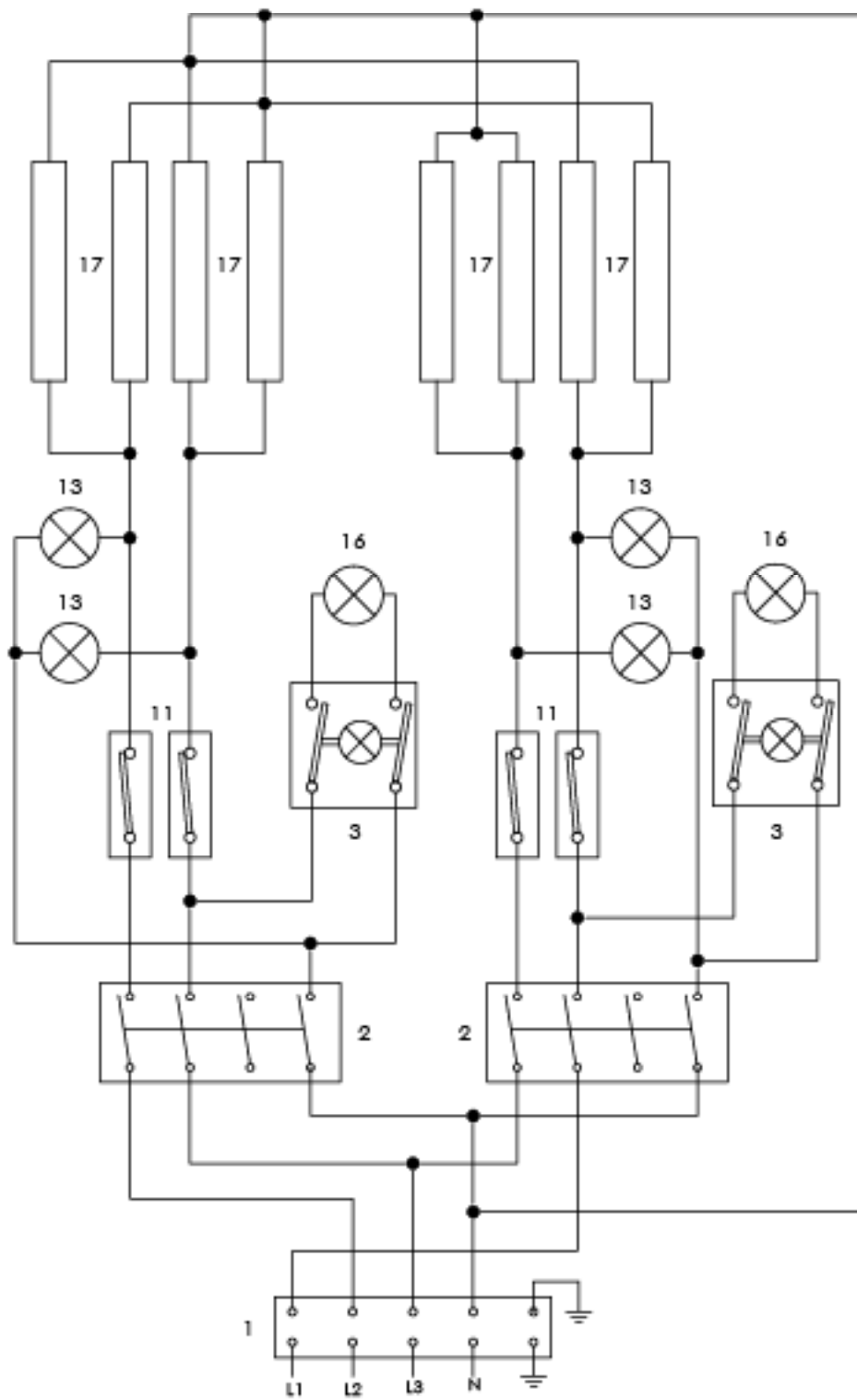
# SHEMA PRIKLJUČKA: E - 6/9



# SHEMA PRIKLJUČKA: E - 6L

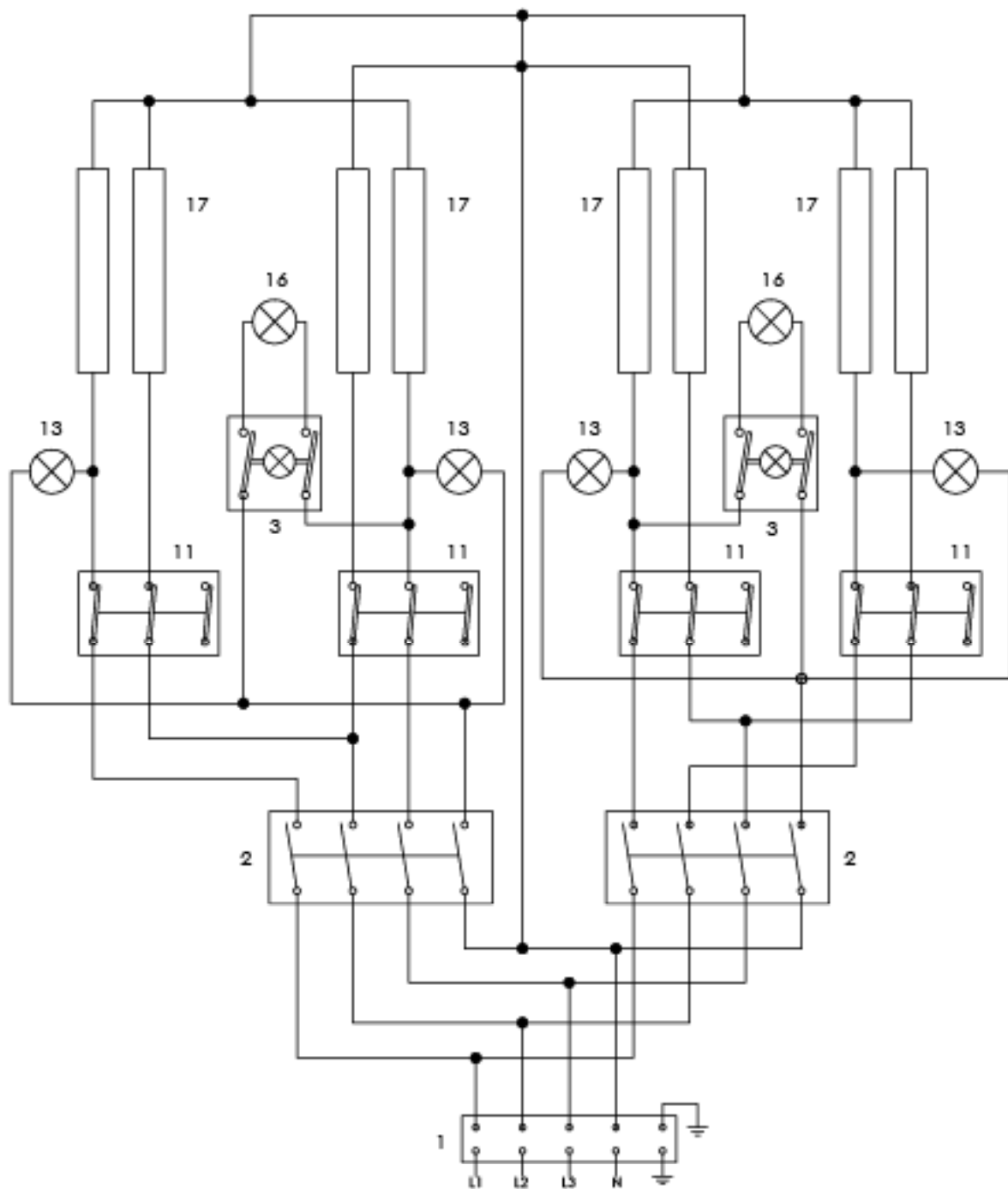


# HEMA PRIKLJUČKA: E - 8





# HEMA PRIKLJUČKA: E - 12L





## DECLARAȚIE DE CONFORMITATE CU NORMELE

Producătorul declară că aparatele sunt conforme cu normele 2004/108/ES, 2006/95/ES, cu legea nr. 616/2006 Sb., 17/2003 Sb. și cu prevederile relevante ale Guvernului. Instalarea trebuie efectuată în conformitate cu normele actuale. Atenție, producătorul nu-și asumă răspundere în cazuri de defecțiuni directe sau indirecte, datorate instalării sau modificărilor incorecte, întreținerii necorespunzătoare, utilizării defectuoase, sau care sunt rezultatul altor cauze decât cele menționate în punctul despre condițiile vânzării. Acest aparat este destinat exclusiv spre utilizare specializată și trebuie deservit de către personal calificat. Piesele, care au fost sigilate de către producător sau un lucrător împuternicit în acest sens nu pot fi remontate

## DATE TEHNICE

Menționăm faptul că echipamentul cu caracteristicile tehnice descrise în prezentul manual nu se încadrează în categoria echipamentelor pentru uz casnic, echipamentul fiind destinat în exclusivitate uzului comercial, de către personal calificat.

Plăcuța cu datele tehnice este amplasată pe partea din spate a aparatului. Înainte de a instala aparatul studiați cu atenție informația de pe aceasta.

Tip	TENSIUNE (V)/(Hz)	PUTERE (kW)	INTERNĂ DIMENSIUNE (cm)	DIMENSIUNE (cm)
E - 4	400 V, 3N, 50 Hz	4,8	70 x 70 x 15 v	98 x 92 x 42 v
E - 6	400 V, 3N, 50 Hz	7,2	70 x 105 x 15 v	98 x 121 x 42 v
E - 6 L	400 V, 3N, 50 Hz	8	105 x 70 x 15 v	131 x 92 x 42 v
E - 9	400 V, 3N, 50 HZ	12	105 x 105 x 15 v	131 x 121 x 42 v
E - 8	400 V, 3N, 50 HZ	9,6	2x 70 x 70 x 15 v	98 x 92 x 76 v
E - 12	400 V, 3N, 50 HZ	14,4	2x 70 x 105 x 15 v	98 x 127 x 75 v
E - 12 L	400 V, 3N, 50 HZ	16	2x 105 x 70 x 15 v	131 x 92 x 75 v
E - 18	400 V, 3N, 50 HZ	24	2x 105 x 105 x 15 v	131 x 127 x 75 v

## VERIFICAREA AMBALAJULUI ȘI APARATULUI

Aparatul iese din depozitele noastre ambalat în mod reglementar, cu indicarea simbolurilor și însemnelor corespunzătoare. Ghidul de deservire corespunzător se găsește în ambalaj. Dacă ambalajul prezintă semne de manevrare necorespunzătoare sau urme de deteriorare, este necesar de atenționat transportatorul și de a face un proces verbal de deteriorare.

### Avertismente importante

- Acest ghid trebui citit cu atenție pentru că conține informații importante despre securitate, instalare și utilizare
- Următoarele recomandări se aplică acestui produs
- Produsul este conform cu normele actuale
- Acest ghid trebuie păstrat pentru utilizarea ulterioară
- Împiedicați manipularea aparatului de către copii
- La vânzare sau relocare asigurați-vă că deservirea aparatului va fi efectuată în conformitate cu instrucțiunile din ghidul anexat
- Produsul poate fi deservit doar de către personalul instruit
- Poate fi utilizat doar pentru prepararea produselor alimentare
- Să nu fie lăsat fără supraveghere
- Se recomandă o inspectare specializată minim 1 data pe an
- În cazul unei reparații piesele trebuiesc înlocuite doar cu piese de schimb originale
- A nu se curăța produsul cu jet direct de apă sau apă sub presiune
- În caz de defectare sau disfuncție a aparatului se cere de a deconecta orice alimentare (apă, electricitate, gaz) și de apelat la un servis autorizat
- Producătorul nu-și asumă răspundere în cazul defecțiunilor datorate instalării incorecte, nerespectării avertismentelor susmenționate, utilizării în alte scopuri, etc.

## INSTALAREA

Instrucțiuni tehnice pentru instalare și reglare

Destinat DOAR utilizării de către tehnicieni specializați.

Instrucțiunile următoare sunt destinate tehnicianului calificat pentru reparație: Toate operațiunile trebuie sa fie efectuate cât mai atent și în conformitate cu normele actuale!!!

### Important:

Orice activitate de reglare a aparatului trebuie efectuată după deconectarea acestuia de la rețeaua electrică. Dacă e nevoie de lăsat aparatul sub tensiune, se cere să fiți mai atenți!

### AMPLASAREA

Pentru asigurarea funcționalității aparatului, spațiul (bucătăria) unde va fi amplasat acesta trebuie sa fie bine aerisit (referitor la aceasta: tehnicianul să urmeze normele actuale ale ČSN )

Dacă aparatul e instalat în așa fel încât are contact cu suprafața mobilierului, acestea trebuie sa fie rezistente la temperaturi de 60°C. Instalarea, reglarea și darea în exploatare trebuie să fie efectuate de către o persoană calificată, care este autorizată în acest sens și în conformitate cu normele în vigoare.

Despachetați aparatul și verificați dacă nu a fost avariat în timpul transportării. Amplasați aparatul pe o suprafață orizontală (deviere maximă până la 2°). Amplasați aparatul sub hotă ca să fie eliminat mirosul și aburii.

Aparatul poate fi instalat separat sau în serie cu alte produse din gama noastră. Este necesar de a păstra o distanță minimă de 10cm de alte obiecte și de a evita contactul cu obiectele inflamabile. În astfel de cazuri se cere izolarea termică a pieselor inflamabile.

## MĂSURI DE SECURITATE DIN PUNCT DE VEDERE AL PROTECȚIEI ÎMPOTRIVA INCENDIILOR CONFORM CSN EN 061008 ȚL. 21:

- Deservirea aparatului trebuie să fie asigurată de către persoane mature
  - Aparatul poate fi utilizat fără pericol în condiții obișnuite conform EN 332000-1
  - Aparatul trebuie amplasat în așa fel încât să fie fixat pe un suport neinflamabil
- Se interzice amplasarea obiectelor inflamabile pe aparat, precum și în apropierea acestuia la distanțe mai mici decât cele recomandate (distanța minimă recomandată este de 10cm)
- Distanțele sigure față de obiectele inflamabile și informațiile despre gradul de combustibilitate a materialelor de construcție sunt indicate în tabel

### Tabel:

Gradul de combustibilitate a materialelor de construcție ( EN 730823 ) după substanțe și produse

A neinflamabil	granit, var, beton, cărămidă, gresie ceramică, tencuiala
B greu inflamabile	placă fibrolemnoasă, fibre minerale
C1 dificil inflamabil	lemn, foioase, hârtie întărită, placaj
C2 mediu inflamabil	plăci aglomerate din aşchii de lemn, plăci din plută, cauciuc, pardoseala din PVC
C3 ușor inflamabil	plăci fibrolemnoase, polistiren, poliuretan, PVC

Aparatul trebuie instalat într-un mod sigur. În timpul instalării trebuie respectate prevederile de siguranță, proiectare și igienă în conformitate cu:

- EN 06 1008 securitatea de incendiu a dispozitivelor locale și surselor de căldură
- EN 33 2000 mediul înconjurător pentru aparate electrice (33 2000-4-42; 33 2000-4-482)

## CONECTAREA CABLULUI ELECTRIC LA REȚEA

Instalarea alimentării cu electricitate: conexiunea trebuie asigurată de sine stătător cu o siguranță corespunzătoare și în funcție de tensiunea aparatului instalat. Tensiunea aparatului poate fi verificată pe plăcuța producătorului din partea de spate a aparatului. Conectați aparatul direct la rețea și plasați un întrerupător între aparat și rețea, respectând distanța minimă de 3mm între contacte, și care să corespundă cu normele în vigoare și cu sarcina de lucru. Firul de împământare (galben-verzui) nu trebuie afectat de acest întrerupător.

În orice caz cablul de alimentare trebuie amplasat în așa fel încât temperatura lui să nu depășească în nici un loc cu 50 de grade pe cea a mediului înconjurător. Înainte de a conecta aparatul la rețea asigurați-va că:

- Siguranța alimentării și distribuția internă vor rezista la sarcina aparatului (vezi plăcuța)
- Conductoarele sunt împământate corespunzător, conform normelor (CSN) și prevederilor legale
- Priza sau întrerupătorul alimentării sunt ușor accesibile

Nu ne asumăm nici un fel de răspundere în cazul nerespectării acestor norme și în cazul încălcării principiilor enunțate mai sus.

Înainte de prima utilizare îndepărtați folia protectoare de pe aparat și curățați-l așa cum scrie în capitolul „curățare și întreținere”.

## GHID DE UTILIZARE

Atenție! Înainte de a începe să utilizați acest cuptor, trebuie să îndepărtați folia de protecție de pe întreaga suprafață, spălați-l bine cu apă care conține detergent lichid și apoi ștergeți-l cu o cârpă umedă. Înainte de a începe de copt porni cuptorul pentru aprox. 4 ore la 300 °C, astfel că reziduurile de substanțe conservante sunt arse off.

Înainte de a utiliza cuptorul pentru prima dată temperatura trebuie să fie setată la 300 °C și cuptorul trebuie să fie păstrate timp de 4 ore de funcționare. După ce cuptorul a fost pregătită în mod standard, această operațiune poate fi inițiat.

Deschide și închide ușile folosind mânerele (poz. H, pic. 1). Atunci când cuptorul este pornit, nu atingeți componentele metalice, ai putea fi arse. Toate elementele de control și mânerele sunt protejate împotriva căldurii radiante. La manipularea produselor alimentare, în camera de coacere folosi ajutoarele de protecție pe mâinile tale. Nu acoperă cuptorul, nici măcar parțial, nu puneți nimic pe ea.

Controale (pic. 1)

Porniți cuptorul prin rotirea comutatorului principal (A) la punctul „I” în conformitate cu eticheta de pe butonul. Mașina este acum pornit. Utilizați butoanele de reglare de pe termostatul de a reglementa independent superioară (B) și inferioare (C) elementele de încălzire, care sunt pornite după ce temperatura dorită este setată. Luminile pilot (D) pentru partea superioară și inferioară a camerei de aprinde atunci când elementele de încălzire sunt pornite. Pentru a activa elementele de încălzire pornit termostatul de nivelul specific la 0 ° C. Camera de iluminat interior este pornit prin apăsarea comutatorului cu iluminare de fundal (E), trecerea aceasta la „I” și oprit prin trecerea la aceasta „O”. Iluminare funcționează numai în cazul în care cuptorul este pornit cu ajutorul comutatorului principal (A).

### Pornirea cuptorului oprit

**Pentru a activa cuptorul asigurați-vă că pe iluminarea interioară și elementele de încălzire au fost dezactivate, apoi întrerupătorul principal în poziția „0”.**

Panoul de control (pic. 1)



- (A) MAIN SWITCH
- (B) UPPER HEATING ELEMENT THERMOSTAT
- (C) LOWER HEATING ELEMENT THERMOSTAT
- (D) HEATING ELEMENT PILOT LIGHTS
- (E) INTERIOR LIGHTING SWITCH
- (F) THERMOMETER
- (G) DOOR HANDLES

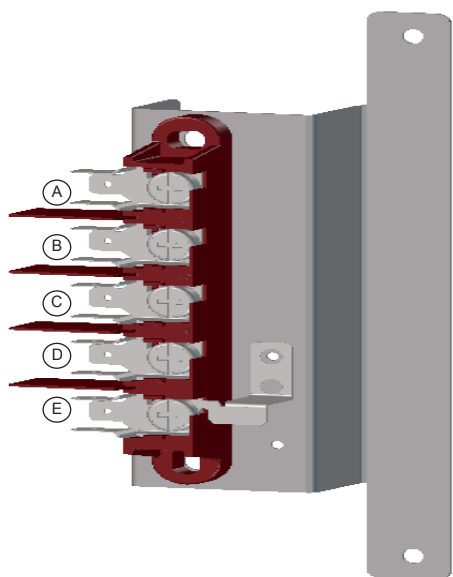
## INSTRUCȚIUNI DE OPERARE

- Când de coacere, trebuie să verificați pizza și, dacă este necesar le transforma, astfel încât acestea sunt coapte uniform.
- Atunci când începe procesul de coacere porni camera cu termostate pe apelat la maxim. După ce cuptorul a fost încălzit stabilit termostatele la temperatura de funcționare.
- temperatura setată pe termostatul superioară și inferioară nu este, de obicei, identic (o temperatură mai scăzută pe termostatul de jos).
- Atunci când cuptorul este pornit și goliți temperatura dale foc-de lut se ridică de la elementele de încălzire superioare.
- În două etaje de caldura cuptoare este transferată între camerele superioare si inferioare.
- Curățați dale de foc-lut folosesc în mod regulat echipamentul corespunzător.
- Un set de bază de instrumente pot fi achiziționate suplimentar pentru fiecare cuptor.
- Porniți numai atunci când lumina de coacere, aceasta va prelungi durata de viață a becurilor.
- Dacă abur prea mult este produs în zona de lucru să poată fi deblocat prin deschiderea vale abur folosind remiză-tija (poz. G, pic. 1).



## **Conectarea cablului de alimentare, simbol echipotențială (pic. 2)**

- Panoul Terminalul este situat pe partea din spate a cuptorului. **Camera cuptorului (pic. 3)**



- Ⓐ FOC-LUT DALE
- Ⓑ INTERIORUL CAMEREI DE ILUMINAT
- Ⓓ ELEMENT DE ÎNCĂLZIRE DE SPRIJIN
- Ⓔ ÎNCĂLZIRE ELEMENTE

## **CURĂȚARE ȘI ÎNTREȚINERE**

Este recomandat de a inspecta aparatul, cel puțin o dată pe an, de către un servis specializat. Orice intervenții asupra aparatului pot fi operate doar de către o persoană calificată, autorizată în acest sens.

### **ATENȚIE!!!**

Este interzisă curățarea aparatului sub jetul de apă sau apă sub presiune. Curățați aparatul zilnic. Întreținerea zilnică prelungește eficiența și funcționalitatea aparatului. Înainte de a curăța aparatul, asigurați-vă că acesta este deconectat de la rețeaua electrică. Întotdeauna să opriți alimentarea principală a aparatului. Părțile de inox curățați-le cu o cârpă umedă cu soluție de săpun și fără particule tari, iar uscați-le prin ștergere. Nu folosiți soluții de curățat abrazive sau corozive. Înlăturați toate resturile de mâncare de pe suprafața de lucru, posibil și cu ajutorul unui șpaclu.

Zilnic, după utilizarea, trebuie unse suprafețele de contact ale robinetului de descărcare cu vaselină alimentară. La robinetul cu con, vaselină îi asigură și etanșeitatea. Niciodată nu goliți conținutul cazanului fără sita la deversor. Este pericol de astupare și deteriorare a robinetului.

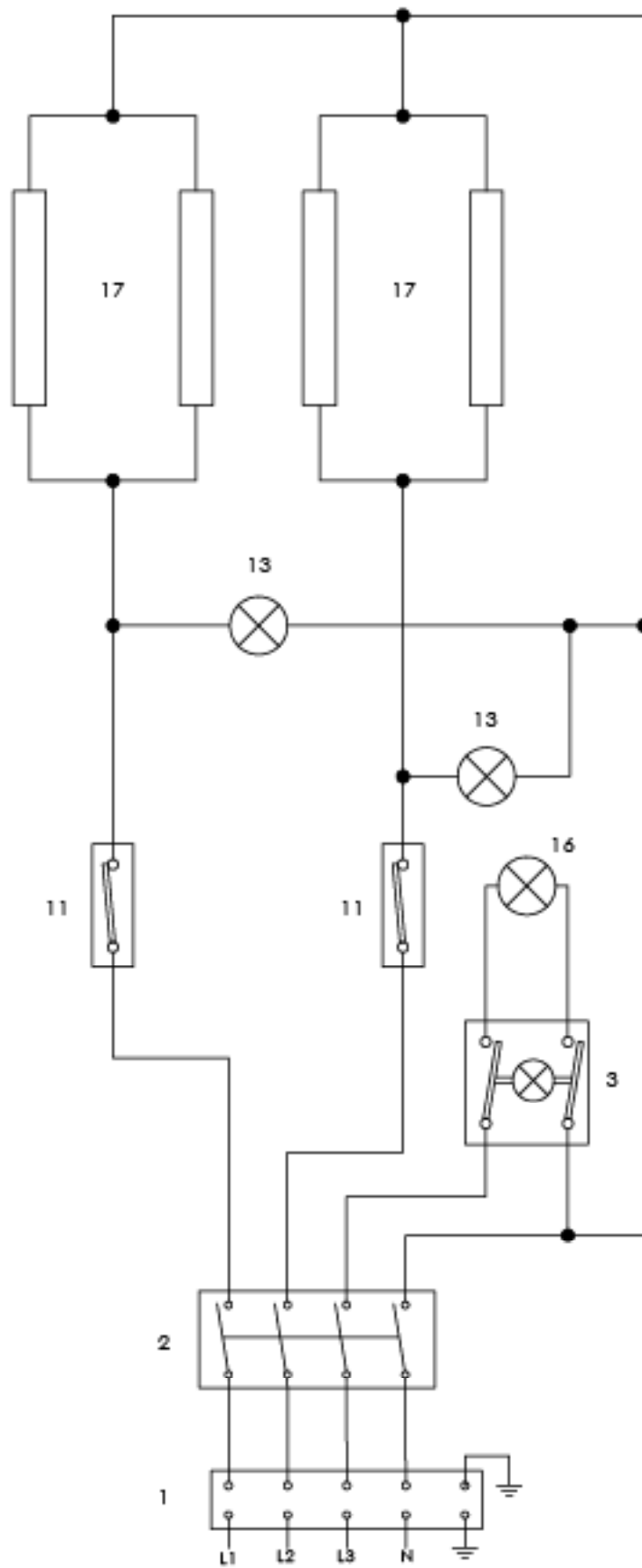
Procedeu în caz de disfuncție a aparatului

Opriți alimentarea cu electricitate și apelați servisul vânzătorului.

### **ATENȚIONARE**

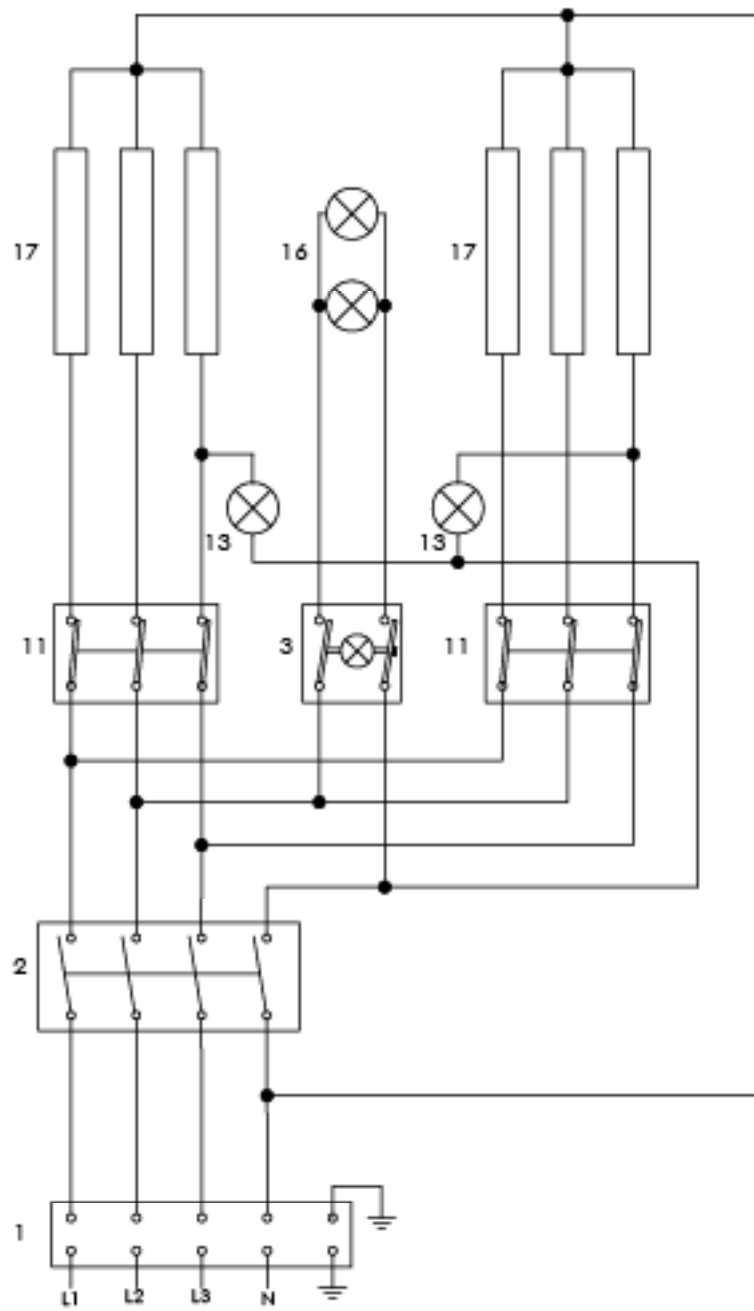
Garanția nu acoperă piesele consumabile care se uzează prin utilizare (garniturile din cauciuc, becurile, părțile din plastic și sticle, etc.). De asemeni garanția nu se aplică aparatelor a căror instalare a fost efectuată contrar normelor (de către o persoană autorizată conform normelor în vigoare) și nici în cazul manipulării defectuoase (intervenții în interiorul aparatului etc.) sau dacă a fost deservit de către personal neinstruit și contrar ghidului de utilizare. Garanția nu se aplica defectelor datorate efectelor naturii sau forței majore.

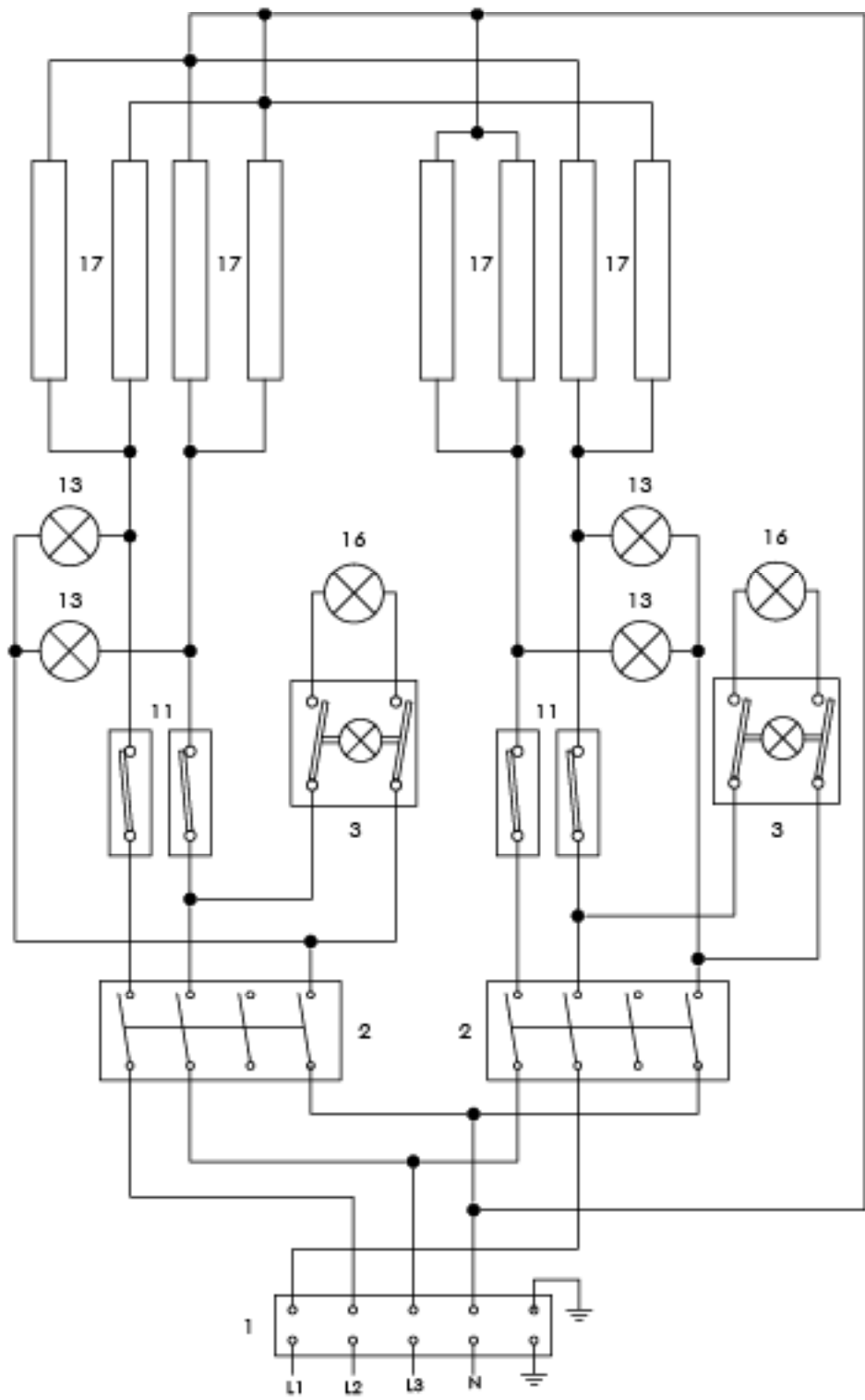
# DIMENSIONALE IMMAGINE E-4



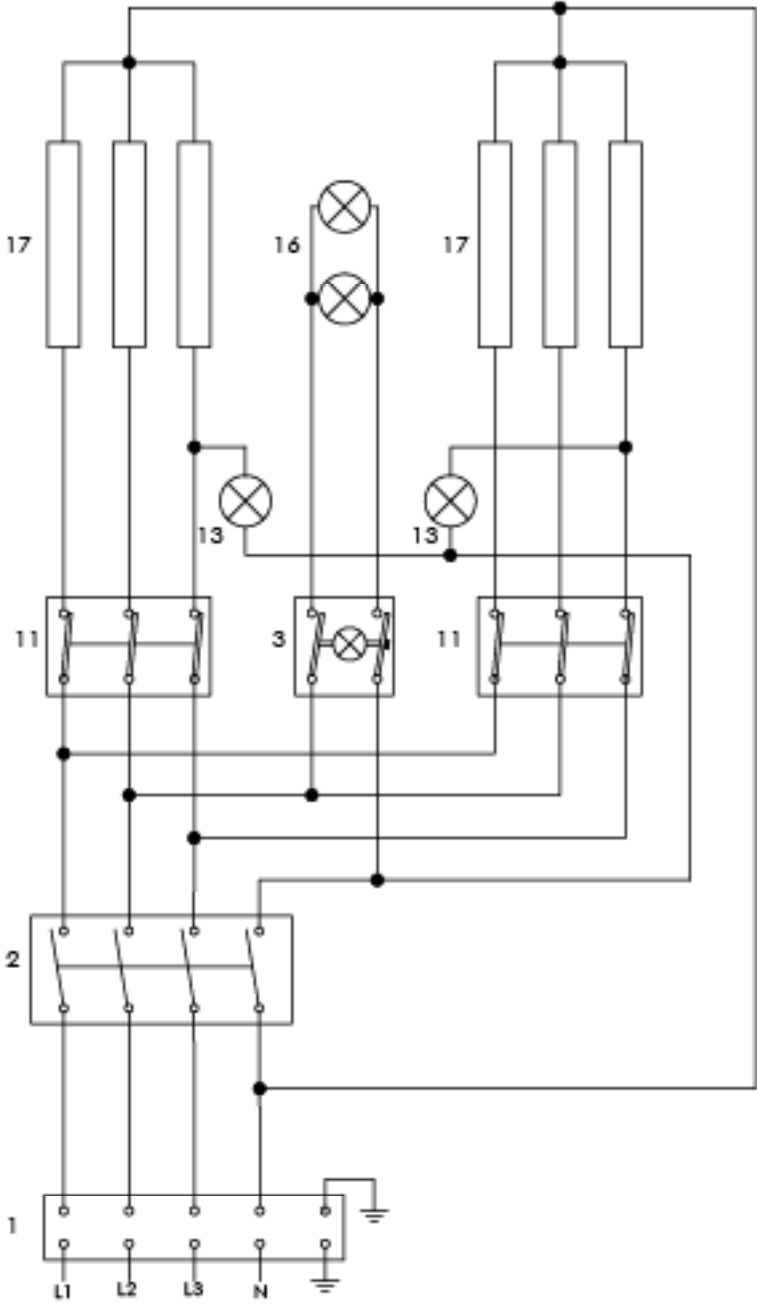


# DIMENSIONALE IMMAGINE E-6

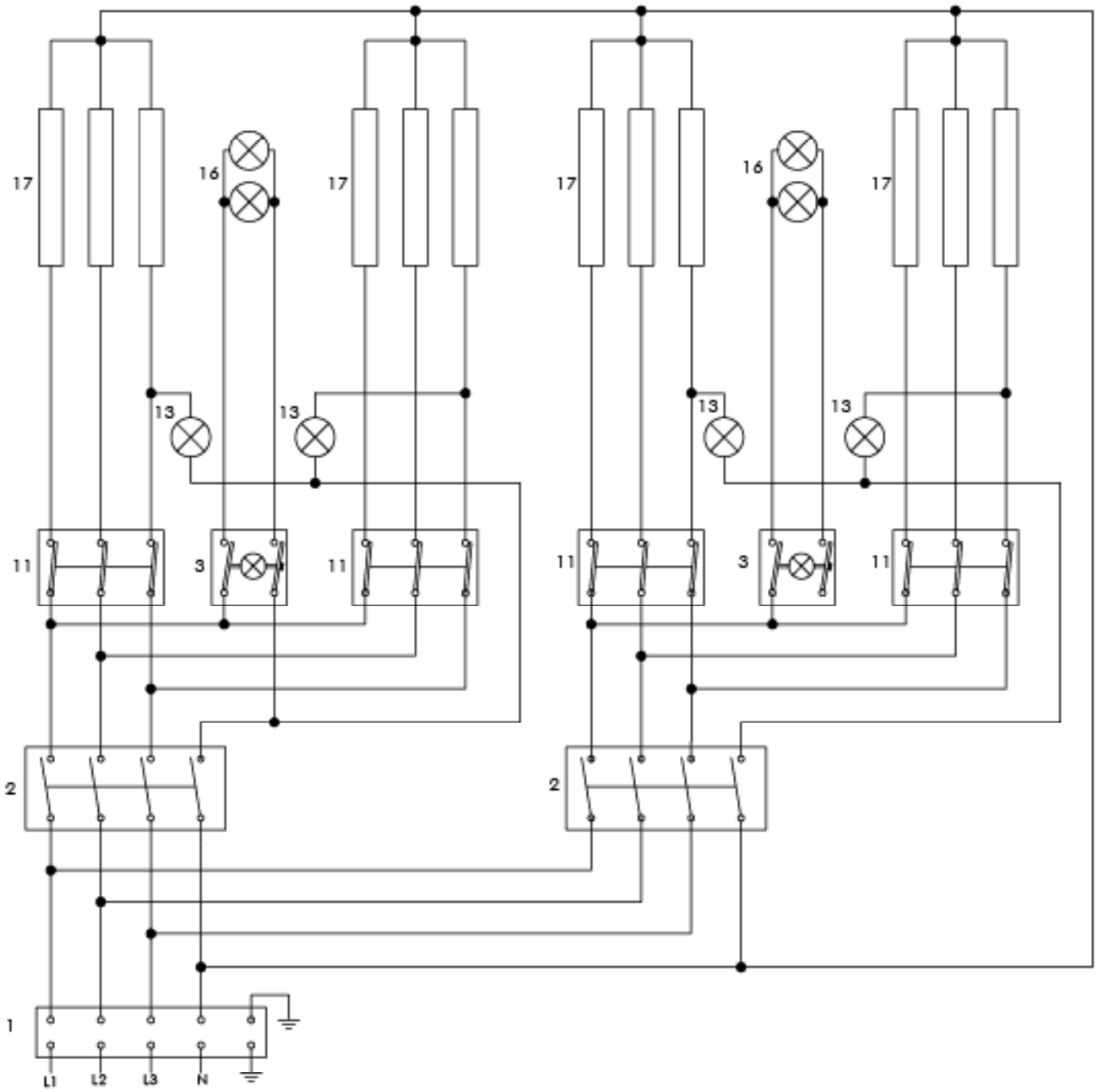




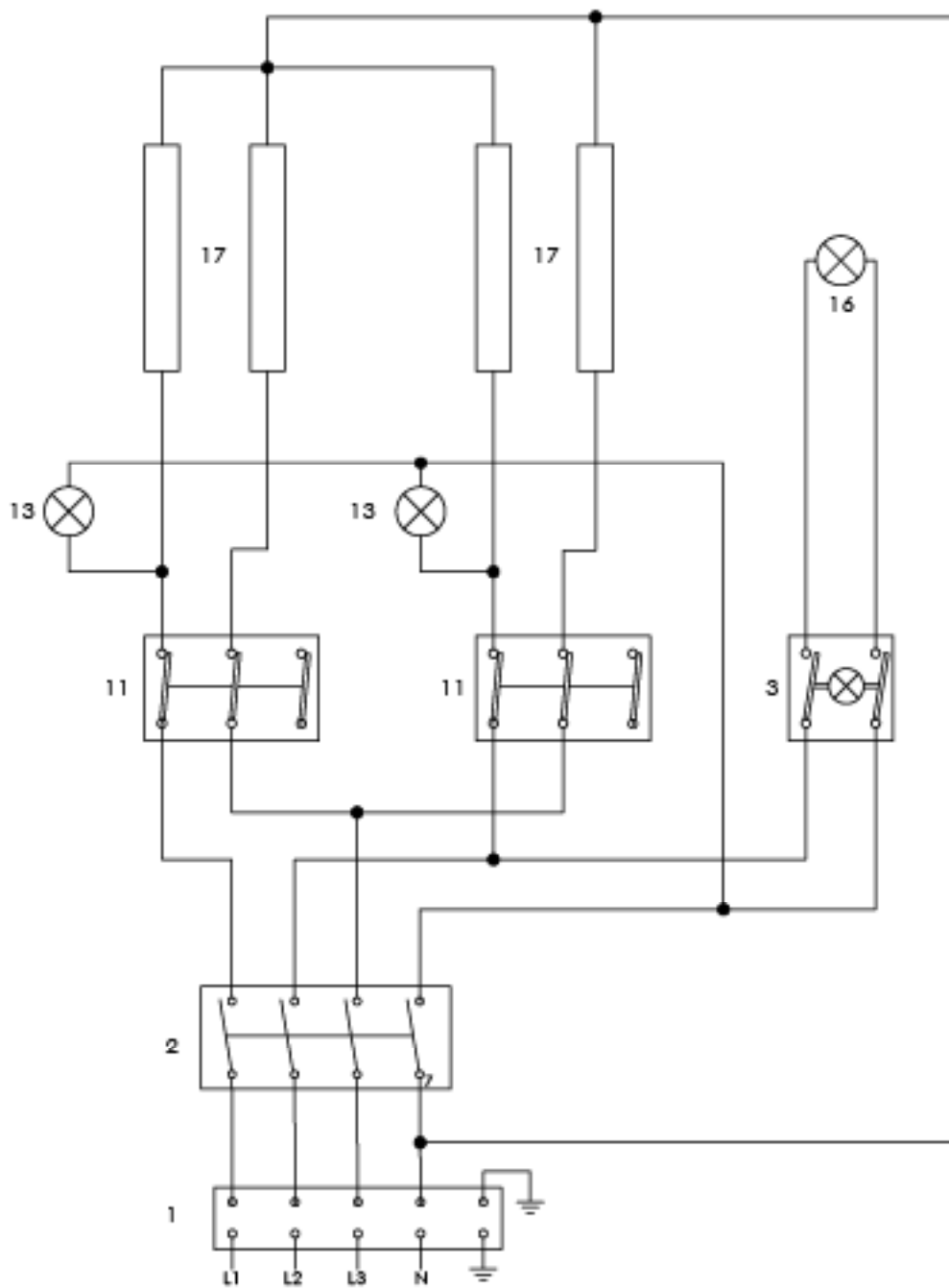
DIMENSIONALE IMMAGINE E-9



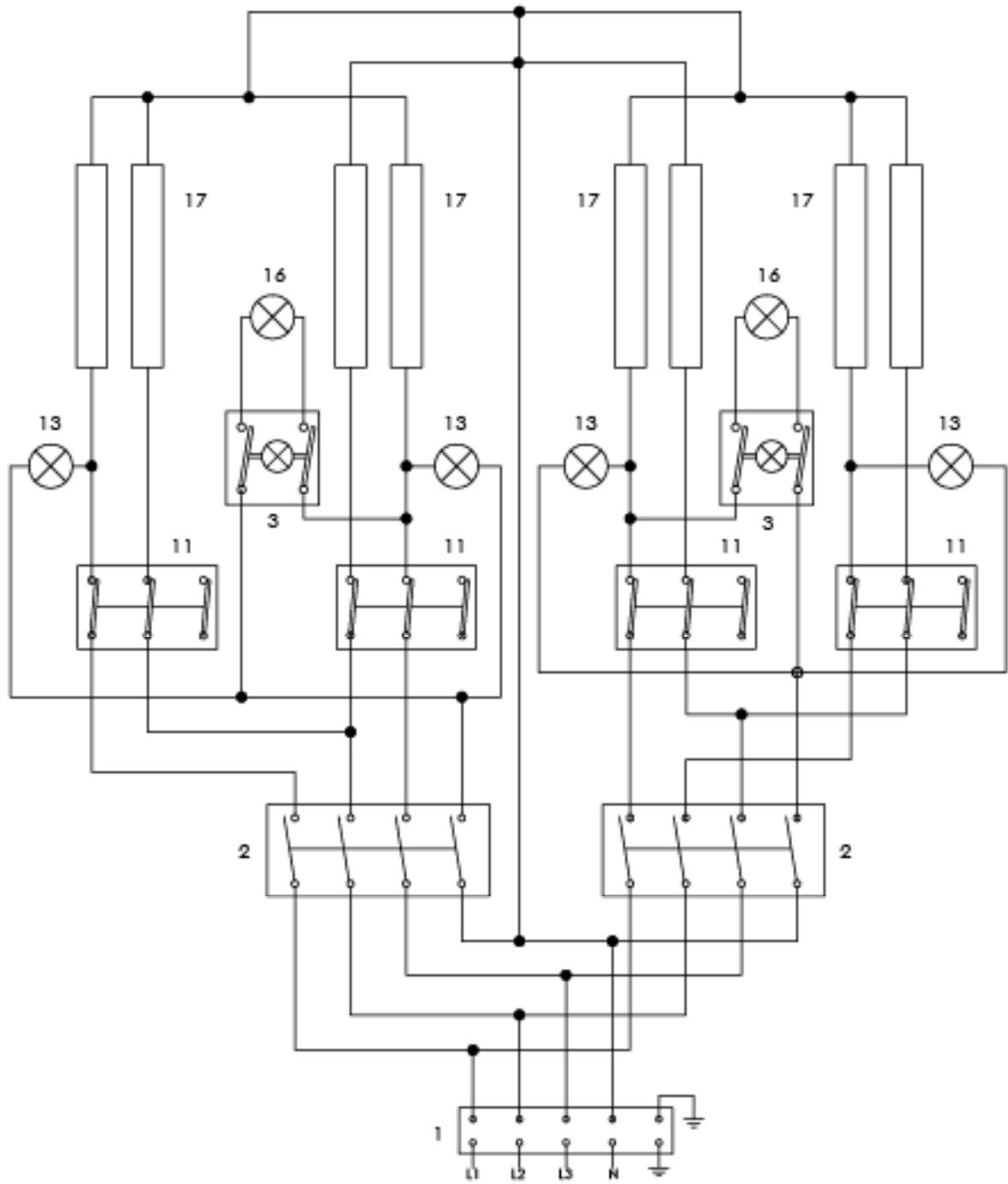
# SCHEMA CONECTRII: E-12 / E18



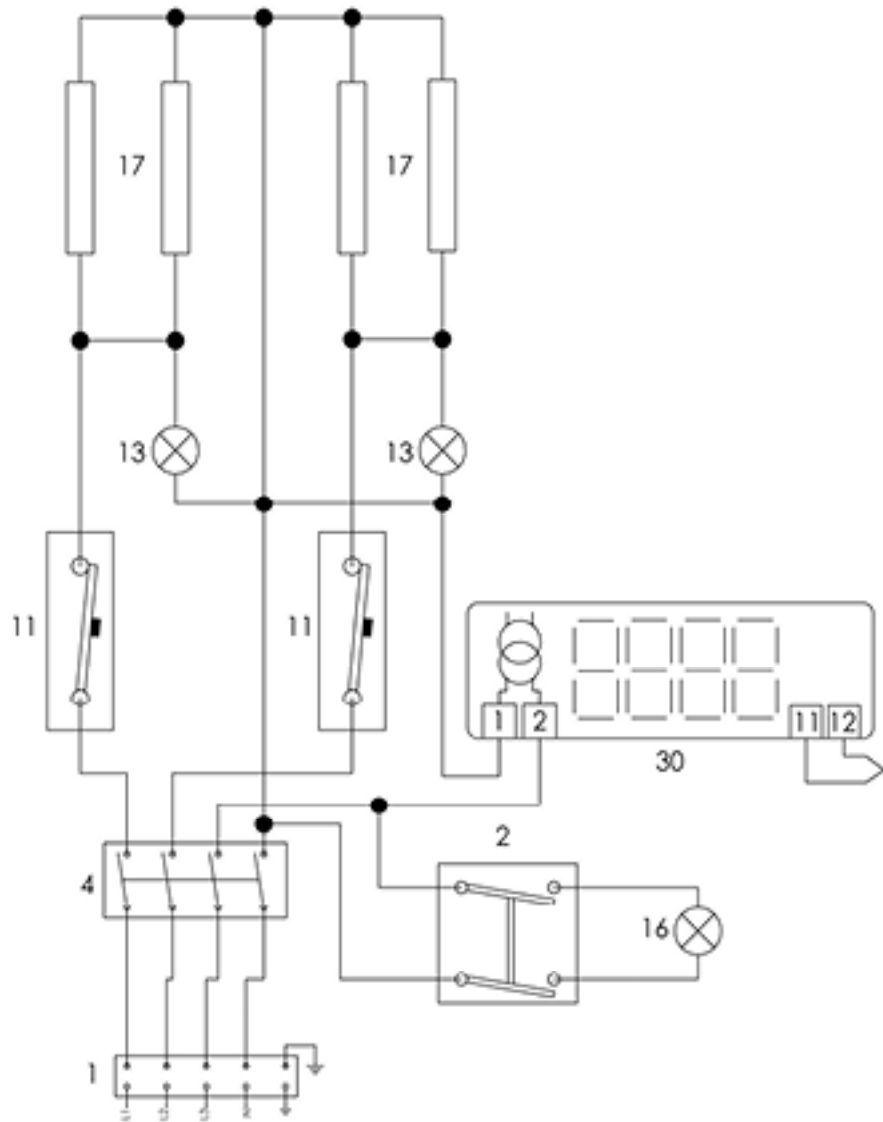
# SCHEMA CONECTRII: E-6L



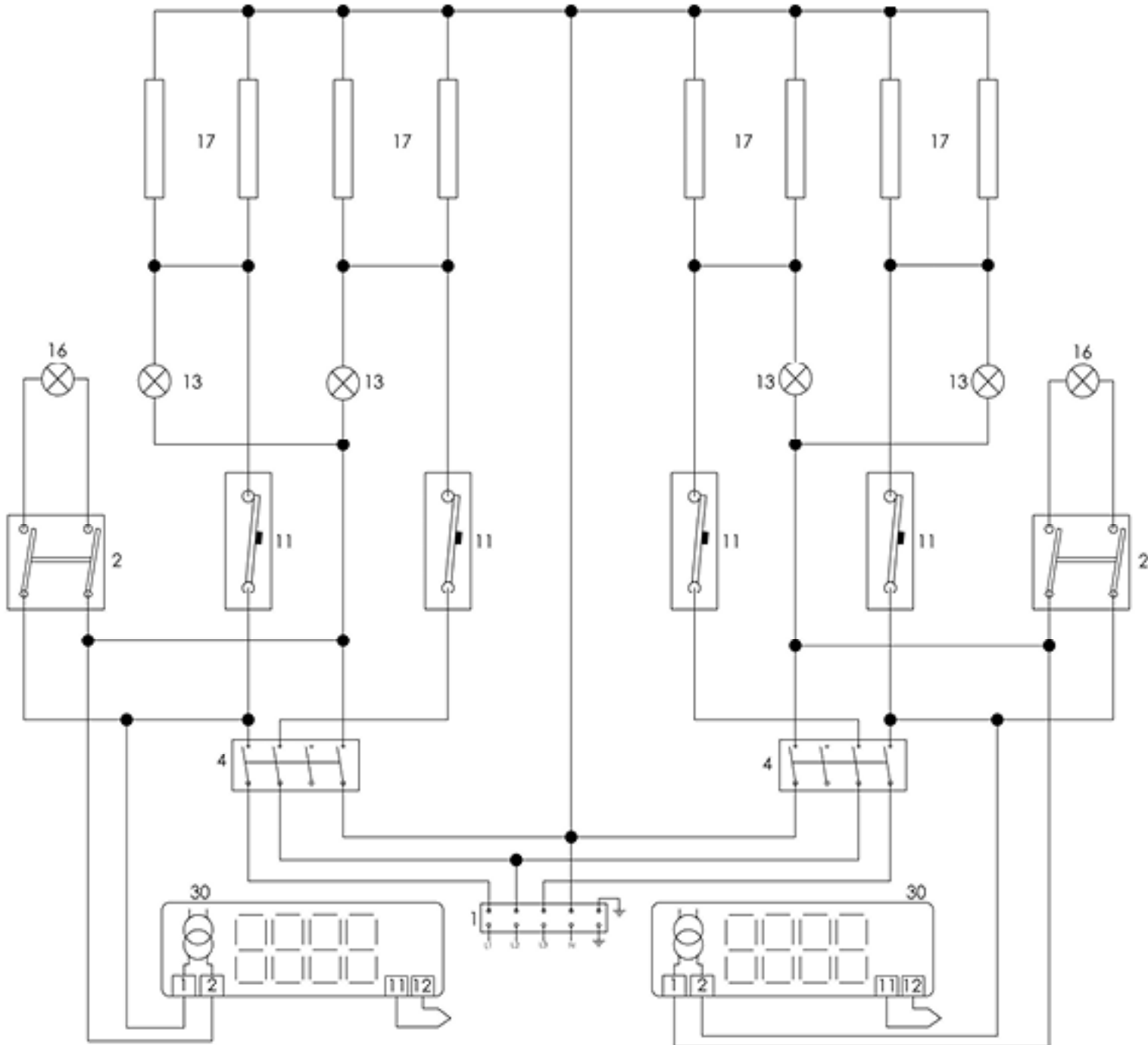
# SCHEMA CONECTRII: E-12L



# SCHEMA CONECTRII: E-4 digital



# SCHEMA CONECTRII: E-8 digital





<b>1 - TERMINAL</b>	<b>17 - încălzire</b>
<b>2 - SWITCH O / I</b>	<b>18 - plite de gătit</b>
<b>3 - iluminat POWER O / I</b>	<b>19 - Transformers</b>
<b>4 - comutator rotativ</b>	<b>20 - Siguranță</b>
<b>5 - Push Button Switches</b>	<b>21 - RHEOSTAT</b>
<b>6 - LIMIT SWITCH</b>	<b>22 - THERMOCOUPLE</b>
<b>7 - MICRO</b>	<b>23 - Senzor</b>
<b>8 - RELAY</b>	<b>24 - MOTOR LIFT</b>
<b>9 - contactele releului</b>	<b>25 - motoventilatoare</b>
<b>10 - timer</b>	<b>26 - BOOST condensator</b>
<b>11 - MUNCA Termostat</b>	<b>27 - bujia</b>
<b>12 - Termostat de siguranță</b>	<b>28 - robinetul de gaz (SIT)</b>
<b>13 - lumina portocalie</b>	<b>29 - OUTLET</b>
<b>14 - Green Light</b>	<b>30 - termometru digital</b>
<b>15 - diode</b>	<b>31 - Unitate de control</b>
<b>16 - iluminat interior</b>	

## ДЕКЛАРАЦИЯ О СООТВЕТСТВИИ СТАНДАРТАМ

Изготовитель заявляет, что приборы удовлетворяют требованиям директивы европейского парламента и совета № 2009/142/ЕС (Постановления чешского правительства № 22/2003), законов № 22/1997 и № 258/2000 «Об охране общественного здоровья», подзаконного акта № 38/2001 и соответствующих постановлений правительства. Установка прибора должна осуществляться в соответствии с действующими нормами.

Внимание, изготовитель не несет никакой ответственности в случае прямых или косвенных повреждений, возникших по причине неправильной установки, изменения прибора или неправильного вмешательства в него, недостаточного техобслуживания, неправильного обращения с прибором или же повреждений, возникших по другим причинам, указанным в документе «Условия продажи». Настоящий прибор предназначен исключительно для профессионального применения. Обслуживать прибор разрешается только квалифицированным лицам. Части прибора, которые были отрегулированы изготовителем и зафиксированы им или его уполномоченным работником, пользователю регулировать запрещается.

### Технические данные:

Табличка с техническими данными находится на видном месте на задней стенке прибора. Перед установкой изучите электрическую схему подключения, прилагаемую к руководству.

Тип изделия	Напряжение (V / Hz)	количество термостатов	Мощность (kW)	Размеры (см)	размеры ячейки (см)
E - 4	400 / 3N / 50	2	4,8	98 x 92 x 42 v	70 x 70 x 15 v
E - 6	400 / 3N / 50	2	7,2	98 x 121 x 42 v	70 x 105 x 15 v
E - 6 L	400 / 3N / 50	2	8,0	131 x 92 x 42 v	105 x 70 x 15 v
E - 8	400 / 3N / 50	4	9,6	98 x 92 x 76 v	2x 70 x 70 x 15 v
E - 9	400 / 3N / 50	2	12	131 x 127 x 42 v	105 x 105 x 15 v
E - 12	400 / 3N / 50	4	14,4	98 x 121 x 76 v	2x 70 x 105 x 15 v
E - 12 L	400 / 3N / 50	4	16,0	131 x 92 x 76 v	2x 105 x 70 x 15 v
E - 18	400 / 3N / 50	4	24,0	131 x 127 x 76 v	2x 105 x 105 x 15 v

## ПРОВЕРКА УПАКОВКИ И ПРИБОРА

Завод-изготовитель отгружает прибор надлежащим образом упакованным. На упаковке указаны соответствующие символы и обозначения. В упаковке находится соответствующее руководство по эксплуатации. Если на упаковке видны следы неправильного обращения, признаки повреждения или насильного вскрытия во время перевозки, Вы должны немедленно предъявить претензию грузоперевозчику, составив с ним акт о повреждении. Позднее претензии не принимаются.

### Общие указания

Данное руководство следует внимательно прочитать и изучить, поскольку в нем приводятся важные

предупреждения, касающиеся безопасности установки прибора и его эксплуатации.

- Данное руководство предназначено только для настоящего изделия или продуктовой линейки.
- Данное руководство следует сохранять для использования в будущем.
- Детям запрещается манипулировать с прибором.
- Прибор разрешается обслуживать только обученному персоналу.
- Мармит разрешается использовать только для поддержания необходимой температуры раздаваемой пищи.
- Прибор ни в коем случае нельзя включать без надзора.
- Рекомендуется 2 раза в год проводить специализированный сервисный осмотр.
- В случае ремонта или замены части (детали) необходимо использовать оригинальные запчасти от изготовителя прибора.
- Прибор ни в коем случае нельзя мыть струей воды или напорным аппаратом.
- В случае неисправности или неправильной работы прибора следует немедленно отсоединить все подводы (вода, электричество, газ) и пригласить авторизованный сервис.
- Прибор разрешается использовать только по его назначению. Использование прибора в других целях может привести к возникновению опасности или нанесению травмы.
- Должно быть обеспечено безоговорочное строгое соблюдение правил пожарной безопасности.

Изготовитель не несет никакой ответственности в случае возникновения неисправностей, вызванных неправильной установкой, несоблюдением вышеуказанных указаний, использованием прибора не по назначению и т.п.

## **РАЗМЕЩЕНИЕ**

**Для правильной работы и размещения прибора необходимо соблюдать директивы TPG G 704 01, EN 127040, EN 127010.**

**Снимите упаковку и проверьте наличие повреждений, возникших во время перевозки. Поместите прибор на горизонтальную поверхность (макс. неровность не более 2°). Небольшую неровность можно компенсировать с помощью регулируемых ножек.**

**Если месторасположение прибора предполагает его контакт со стенками мебели, то данная мебель должна быть устойчивой к температуре до 60°C. Установку и пуско-наладочные работы должно выполнять квалифицированное лицо, имеющее на такие работы соответствующее разрешение (согласно действующим нормам).**

**Мармит можно установить как отдельный прибор или в серии с другими приборами нашего производства. Необходимо соблюдать минимальное расстояние 10 см от горючих материалов. В таком случае следует провести соответствующие изменения, чтобы была обеспечена тепловая изоляция горючих частей.**

**Прибор разрешается устанавливать только на негорючей поверхности или возле негорючей стены.**

## МЕРЫ БЕЗОПАСНОСТИ С ТОЧКИ ЗРЕНИЯ ПОЖАРНОЙ ОХРАНЫ СОГЛАСНО EN 061008, СТ.12

- обслуживать прибор разрешается только взрослым
- прибор разрешается использовать только в нормальной среде по:  
EN 33 2000-4-482  
EN 33 2000-4-42

- прибор должен быть установлен так, чтоб он прочно стоял или висел на негорючем основании
- на прибор и на расстоянии, меньшем безопасной удаленности от него, запрещается размещать предметы из горючих материалов (минимальное расстояние между прибором и горючим материалом составляет 10 см).
- информация о степени воспламеняемости некоторых строительных материалов приводится на следующей странице

Таблица степени воспламеняемости строительного материала, включенного с ст. воспламеняемости (730823) материалов и изделий


<b>А - негорючие</b>	гранит, песчаник, бетоны, кирпич, керамическая плитка, штукатурка
<b>В - умеренно воспламеняемые</b>	акумин, гераклит, лигнос, итавер
<b>С1 - трудно горючие</b>	древесина лиственных пород, клееная фанера, сиркоклит, гетинакс, умакарт
<b>С2 - умеренно горючие</b>	ДСП, солодур, пробковые доски, резина, покрытия для полов
<b>С3 - легко горючие</b>	ДВП, полистерен, полиуретан, ПВХ

Прибор должен быть установлен безопасным способом. При установке следует соблюдать

соответствующие предписания по проектированию, безопасности и гигиене согласно:

- EN 06 1008 пожарная безопасность локальных приборов и источников тепла
- EN 33 2000 среда для электрического оборудования

## **ВАЖНО:**

 ИЗГОТОВИТЕЛЬ НЕ ДАЕТ НИКАКИХ ГАРАНТИЙ НА НЕИСПРАВНОСТИ, ВОЗНИКШИЕ В РЕЗУЛЬТАТЕ НЕПРАВИЛЬНОЙ ЭКСПЛУАТАЦИИ, НЕСОБЛЮДЕНИЯ ИНСТРУКЦИЙ В ПРИЛАГАЕМОМ РУКОВОДСТВЕ ПО ЭКСПЛУАТАЦИИ И НЕПРАВИЛЬНОГО ОБРАЩЕНИЯ С ПРИБОРАМИ.

УСТАНОВКУ, НАЛАДКУ И РЕМОНТ ПРИБОРОВ ДЛЯ ПРЕДПРИЯТИЙ ОБЩЕПИТА, ТАК ЖЕ КАК И ДЕМОНТАЖ ДАННЫХ ПРИБОРОВ (ИЗ-ЗА ОПАСНОСТИ ПОВРЕЖДЕНИЯ ПОДВОДА ГАЗА) РАЗРЕШАЕТСЯ ВЫПОЛНЯТЬ ТОЛЬКО НА ОСНОВАНИИ ДОГОВОРА О ТЕХОБСЛУЖИВАНИИ (ДАННЫЙ ДОГОВОР МОЖНО ЗАКЛЮЧИТЬ С АВТОРИЗОВАННЫМ ПРОДАВЦОМ), ПРИЧЕМ ДОЛЖНЫ СОБЛЮДАТЬСЯ ТЕХНИЧЕСКИЕ ПРЕДПИСАНИЯ И СТАНДАРТЫ, КАСАЮЩИЕСЯ УСТАНОВКИ, ЭЛЕКТРИЧЕСКОГО ПОДСОЕДИНЕНИЯ, ПОДКЛЮЧЕНИЯ ГАЗА И БЕЗОПАСНОСТИ ТРУДА.

ТЕХНИЧЕСКИЕ ИНСТРУКЦИИ ПО УСТАНОВКЕ И НАЛАДКЕ ПРЕДНАЗНАЧАЮТСЯ ТОЛЬКО СПЕЦИАЛИЗИРОВАННЫМ ТЕХНИКАМ.

НИЖЕПРИВЕДЕННЫЕ ИНСТРУКЦИИ АДРЕСОВАНЫ ТЕХНИКАМ, ИМЕЮЩИМ КВАЛИФИКАЦИЮ ДЛЯ УСТАНОВКИ ПРИБОРА, ЧТОБЫ ОНИ МОГЛИ ВЫПОЛНИТЬ ВСЕ ОПЕРАЦИИ КАК МОЖНО БОЛЕЕ КОРРЕКТНО И В СООТВЕТСТВИИ С ДЕЙСТВУЮЩИМИ НОРМАМИ.

ЛЮБЫЕ РАБОТЫ, СВЯЗАННЫЕ С НАЛАДКОЙ И Т.П., РАЗРЕШАЕТСЯ ВЫПОЛНЯТЬ ТОЛЬКО КОГДА ПРИБОР ОТКЛЮЧЕН ОТ СЕТИ. ЕСЛИ ПРИ ВЫПОЛНЕНИИ РАБОТ НЕОБХОДИМО, ЧТОБЫ ПРИБОР НАХОДИЛСЯ ПОД НАПРЯЖЕНИЕМ, ТО СЛЕДУЕТ БЫТЬ ПРЕДЕЛЬНО ОСТОРОЖНЫМИ.

## РУКОВОДСТВО ПО ЭКСПЛУАТАЦИИ

**Внимание!** Перед началом пользования устройством необходимо со всей поверхности снять защитную пленку, после чего устройство нужно тщательно помыть водой со средством для мытья посуды и протереть влажным текстилем. Перед началом процесса печения дайте печи разогреться в течение примерно 4 часов на 300 °С, чтобы выжечь остатки консервирующего средства.

Включите устройство поворотом главного выключателя (А) в состояние «I», как показано на этикетке выключателя.

После этого устройство находится под напряжением. При помощи регулировочных кнопок термостатов можно независимо друг от друга регулировать верхнее (С) и нижнее (В) нагревательные устройства, которые после задания требуемой температуры включатся.

Работа нагревательных устройств сигнализируется свечением контрольных лампочек (D) для верхней и нижней частей духовки. Для выключения нагрева устройств настройте термостат соответствующего яруса на температуру 0°С. Внутреннее освещение духовки включается при помощи светящегося выключателя (Е) путем его помещения в положение «I», а выключается путем его помещения в положение «0». Освещение работает только в том случае, если устройство включено при помощи главного выключателя (А). Перед выключением оборудования убедитесь в том, что внутреннее и нагревательные устройства выключены, после чего поверните главный выключатель в положение «0».

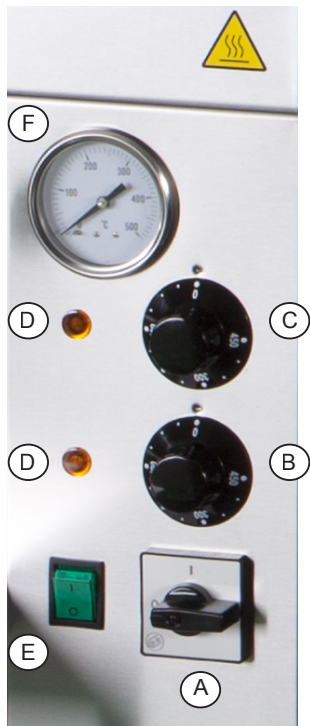
Перед первым использованием оборудования необходимо настроить на 300°С и оставить работать печь в течение 4 часов. После этого прогревания печи ее можно запустить в обычную эксплуатацию.

### Рекомендации по эксплуатации

- Во время выпекания необходимо контролировать состояние пиццы, при необходимости ее поворачивать с целью равномерного пропекания.
- В начале процесса выпечки включите духовку и поставьте термостаты на максимум. После нагревания духовки настройте термостаты на рабочую температуру.
- Температура, заданная на верхнем и нижнем термостатах, по большей части не совпадает. (Температура на нижнем термостате более низкая).
- При включенной и пустой печи температура шамотных панелей растет сверху.
- У двухъярусных печей происходит теплопередача между верхней и нижней камерами, и наоборот.
- Регулярно чистите шамотные панели соответствующим инструментом.
- Для каждой печи можно купить основной набор инструмента.
- Включайте свет только во время процесса выпечки благодаря этому вы увеличите срок службы лампочек.
- При соответствующем выделении пара в рабочем пространстве для его отвода можно открыть паровой клапан с управляющей тягой с левой стороны



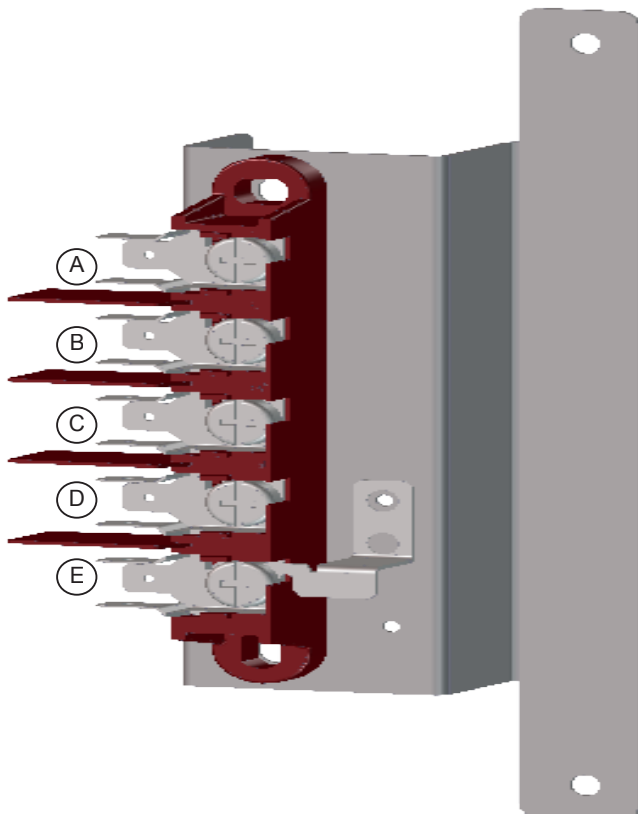
## ПАНЕЛЬ УПРАВЛЕНИЯ (РИС. 1)



- Ⓐ Главный выключатель
- Ⓑ Регулятор нижнего термостата
- Ⓒ Регулятор верхнего термостата
- Ⓓ Контрольные лампочки нагрева
- Ⓔ Выключатель освещения
- Ⓕ Термометр
- Ⓖ Тяга управления заслонкой



## ПОДКЛЮЧЕНИЕ ПОДВОДЯЩЕГО КАБЕЛЯ (РИС. 2)



- Ⓐ L1 (фаза)
- Ⓑ L2
- Ⓒ L3
- Ⓓ ноль
- Ⓔ заземление



## ТЕХОБСЛУЖИВАНИЕ И ГАРАНТИЙНЫЕ УСЛОВИЯ



ПРИ ДЛИТЕЛЬНОЙ ЭКСПЛУАТАЦИИ ПРИБОРА ДЛЯ ОБЕСПЕЧЕНИЯ ЕГО БЕЗОПАСНОЙ РАБОТЫ ТРЕБУЕТСЯ РЕГУЛЯРНОЕ ТЕХОБСЛУЖИВАНИЕ, ПОЭТОМУ РЕКОМЕНДУЕМ ЗАКЛЮЧИТЬ ДОГОВОР НА СЕРВИСНОЕ ОБСЛУЖИВАНИЕ. ТЕХОБСЛУЖИВАНИЕ РАЗРЕШАЕТСЯ ПРОВОДИТЬ ТОЛЬКО УПОЛНОМОЧЕННЫМ СЕРВИСНЫМ ТЕХНИКАМ, СОБЛЮДАЮЩИМ ДЕЙСТВУЮЩИЕ СТАНДАРТЫ И ПРЕДПИСАНИЯ, А ТАКЖЕ ИНСТРУКЦИИ, ПРИВЕДЕННЫЕ В РУКОВОДСТВЕ. ОПТИМАЛЬНАЯ ПЕРИОДИЧНОСТЬ ПРОФОСМОТРОВ СОСТАВЛЯЕТ 1 РАЗ В 6 МЕСЯЦЕВ, ПРИ ОЧЕНЬ ВЫСОКИХ НАГРУЗКАХ КОНТРОЛЬ РЕКОМЕНДУЕТСЯ ПРОВОДИТЬ 1 РАЗ В 3 МЕСЯЦА. БЛАГОДАРЯ ПРОФОСМОТРАМ МОЖНО ИЗБЕЖАТЬ СЕРЬЕЗНЫХ ПОЛОМОК ПРИБОРА, СНИЗИВ ТЕМ САМЫМ ЗАТРАТЫ НА ЕГО ЭКСПЛУАТАЦИЮ.

### **ПРЕДУПРЕЖДЕНИЕ:**

ГАРАНТИЯ НЕ РАСПРОСТРАНЯЕТСЯ НА ВСЕ БЫСТРО ИЗНАШИВАЕМЫЕ ДЕТАЛИ (РЕЗИНОВЫЕ УПЛОТНЕНИЯ, ЛАМПОЧКИ, СТЕКЛЯННЫЕ И ПЛАСТИКОВЫЕ ЧАСТИ И Т.Д.) ГАРАНТИЯ ТАКЖЕ НЕ ПРЕДОСТАВЛЯЕТСЯ, ЕСЛИ УСТАНОВКА ПРИБОРА НЕ СООТВЕТСТВУЕТ УКАЗАНИЯМ, ПРИВЕДЕННЫМ В ДАННОМ РУКОВОДСТВЕ (Т.Е. УСТАНОВКУ ДОЛЖЕН ПРОВОДИТЬ РАБОТНИК, ИМЕЮЩИЙ КВАЛИФИКАЦИЮ СОГЛАСНО СООТВЕТСТВУЮЩИМ НОРМАМ), ЕСЛИ С ПРИБОРОМ ОБРАЩАЛИСЬ НЕПРОФЕССИОНАЛЬНО (ВМЕШАТЕЛЬСТВО ВО ВНУТРЕННЕЕ ОСНАЩЕНИЕ) ИЛИ ЕСЛИ ПРИБОР ОБСЛУЖИВАЛСЯ НЕОБУЧЕННЫМ ПЕРСОНАЛОМ, НЕ СОБЛЮДАЯ ПРИ ЭТОМ РУКОВОДСТВО ПО ЭКСПЛУАТАЦИИ, ГАРАНТИЯ ТАКЖЕ НЕ ПРЕДОСТАВЛЯЕТСЯ НА ПОВРЕЖДЕНИЯ, ВОЗНИКШИЕ В РЕЗУЛЬТАТЕ ПРИРОДНЫХ ЯВЛЕНИЙ ИЛИ ДРУГИХ ВЛИЯНИЙ ИЗ ВНЕ.

### **МЕРЫ В СЛУЧАЕ НЕИСПРАВНОСТИ:**

НЕМЕДЛЕННО ОТКЛЮЧИТЬ ПОДВОД ТОКА И НЕЗАМЕДЛИТЕЛЬНО ПРИГЛАСИТЬ СЕРВИСНУЮ ОРГАНИЗАЦИЮ, НИ В КОЕМ СЛУЧАЕ НЕ ПЫТАТЬСЯ КАКИМ-ЛИБО ОБРАЗОМ МАНИПУЛИРОВАТЬ С ПРИБОРОМ.

ИЗГОТОВИТЕЛЬ НЕ НЕСЕТ НИКАКОЙ ОТВЕТСТВЕННОСТИ ЗА ТРАВМЫ И УЩЕРБ, НАНЕСЕННЫЙ ИМУЩЕСТВУ, ВОЗНИКШИЕ ПО ПРИЧИНЕ НЕСОБЛЮДЕНИЯ ПРАВИЛ ТЕХНИКИ БЕЗОПАСНОСТИ ИЛИ ИСПОЛЬЗОВАНИЯ ПРИБОРА НЕ ПО НАЗНАЧЕНИЮ.

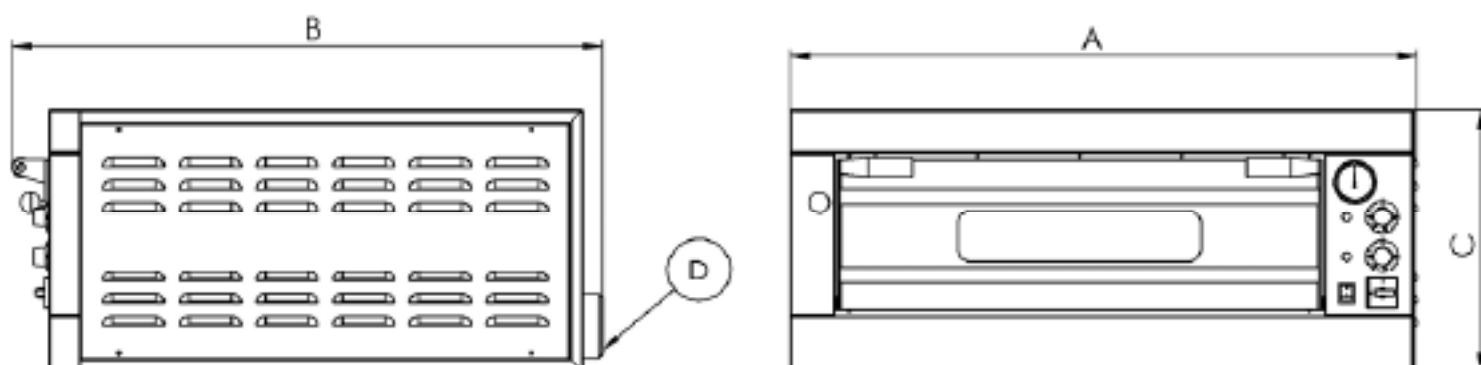
### **УКАЗАНИЯ ПО УТИЛИЗАЦИИ:**

УПАКОВОЧНЫЕ МАТЕРИАЛЫ СЛЕДУЕТ УТИЛИЗИРОВАТЬ В СООТВЕТСТВИИ С ДЕЙСТВУЮЩИМ ЗАКОНОДАТЕЛЬСТВОМ. ОТСЛУЖИВШИЙ ПРИБОР ДОЛЖЕН БЫТЬ ТАКЖЕ ПРАВИЛЬНО УТИЛИЗИРОВАН. ДЛЯ ПОЛУЧЕНИЯ БОЛЕЕ ПОДРОБНОЙ ИНФОРМАЦИИ ПО ДАННОМУ ВОПРОСУ СВЯЖИТЕСЬ С ПРОДАВЦОМ ОБОРУДОВАНИЯ ИЛИ АВТОРИЗОВАННЫМ СЕРВИСОМ.

## РАЗМЕРЫ

### DIMENSION PLANS / MASSKIZZEN / DIMENSIONS

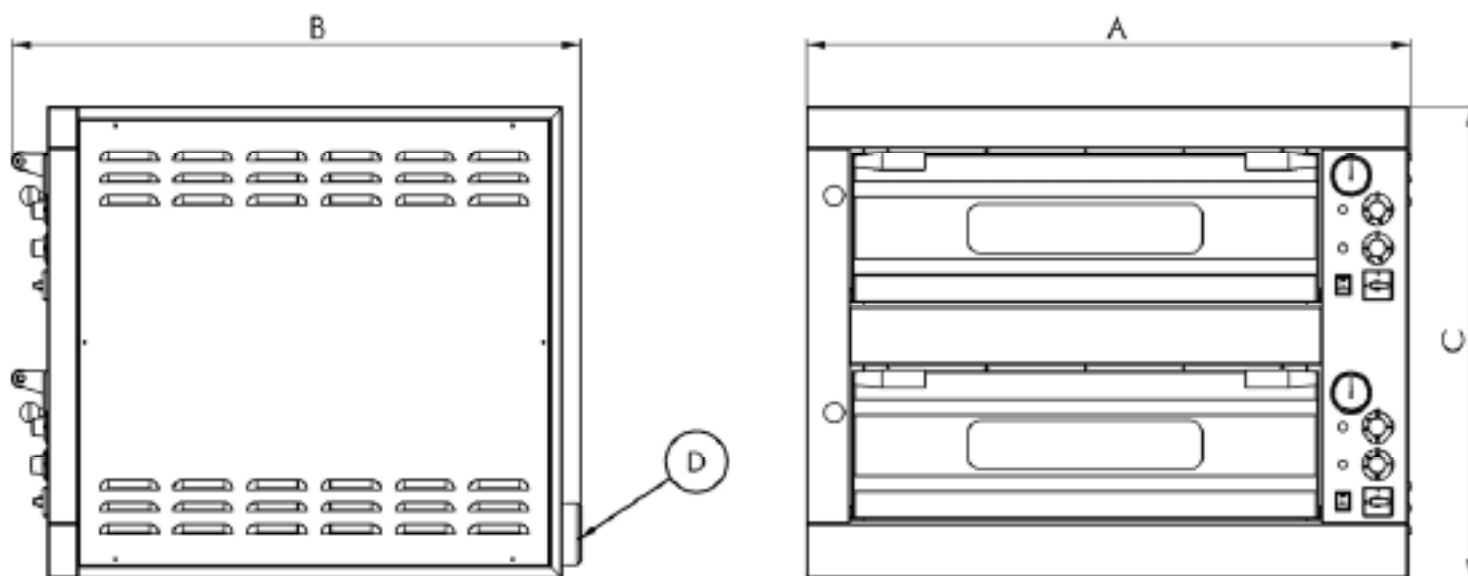
E - 4, 6, 6L, 9, 9L



TYPE	A (CM)	B (CM)	C (CM)
E - 4	98	92	42
E - 6	98	127	42
E - 6 L	131	92	42
E - 9	131	127	42

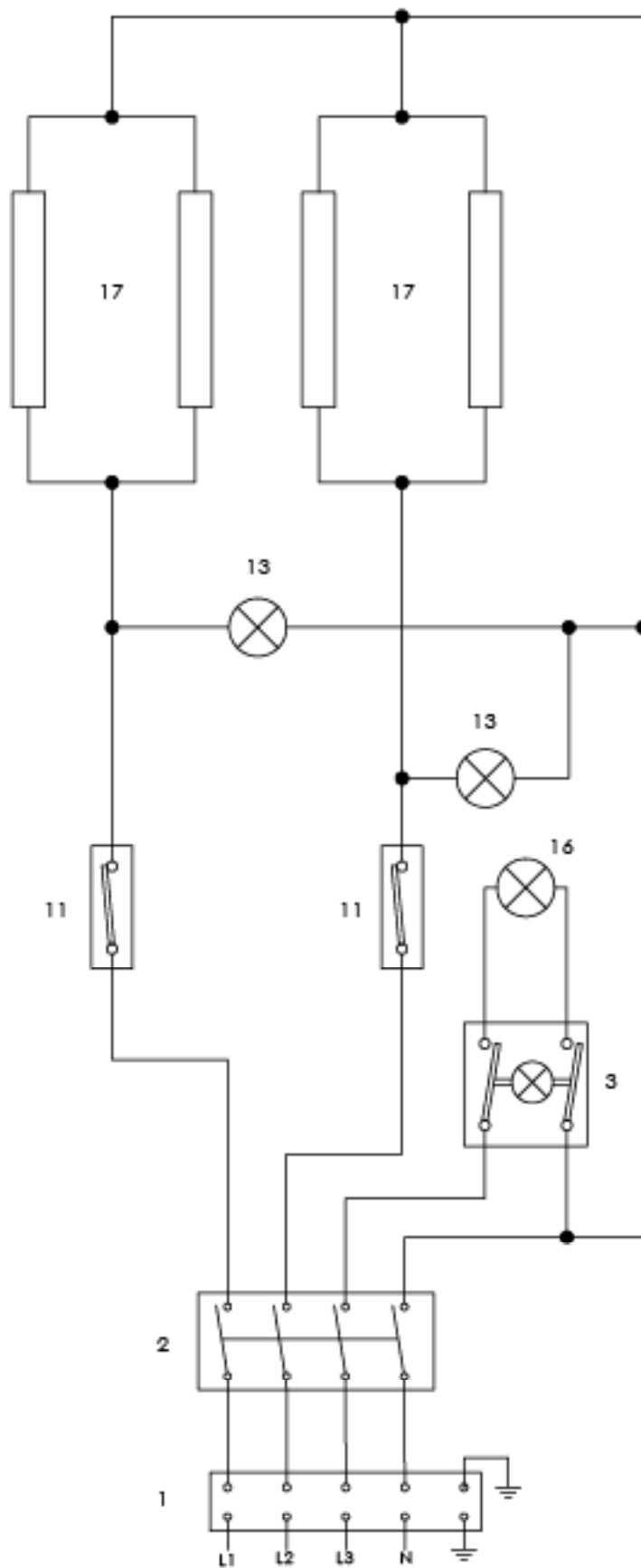
### DIMENSION PLANS / MASSKIZZEN / DIMENSIONS

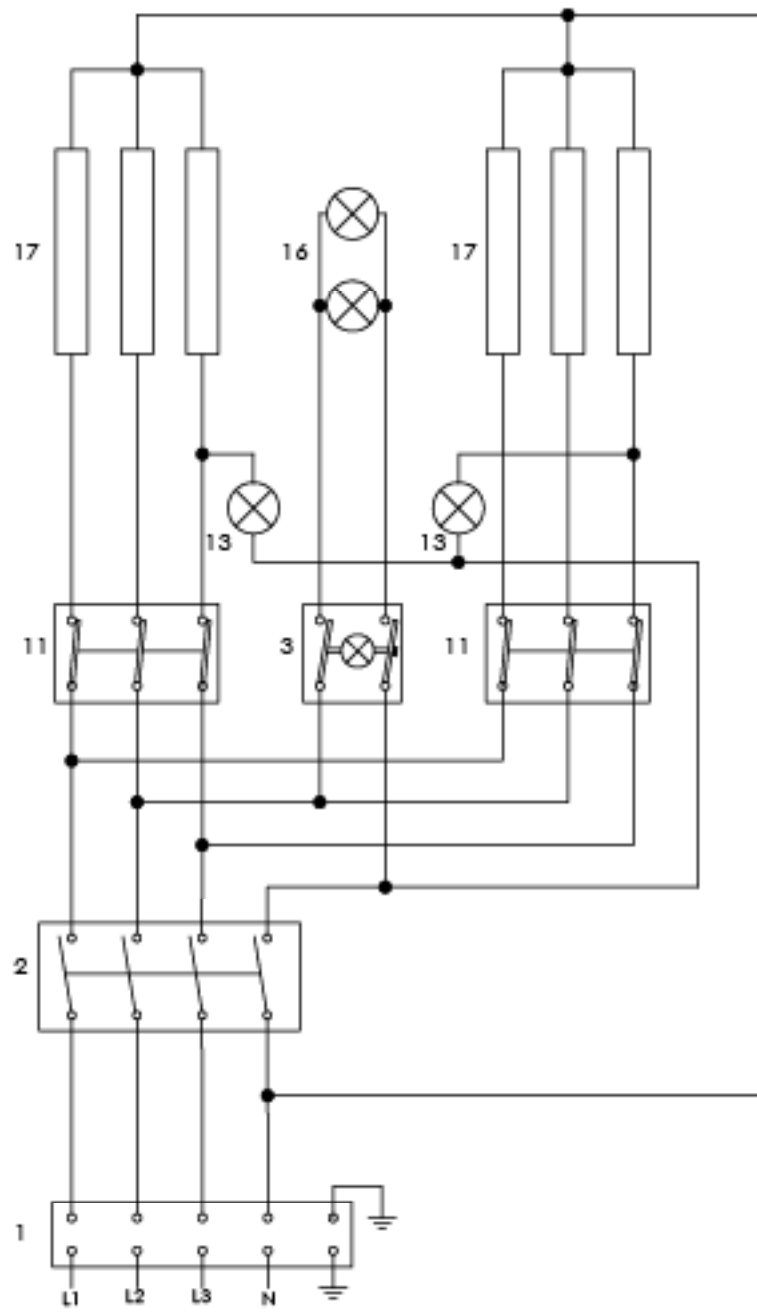
E - 8, 12, 12L, 18



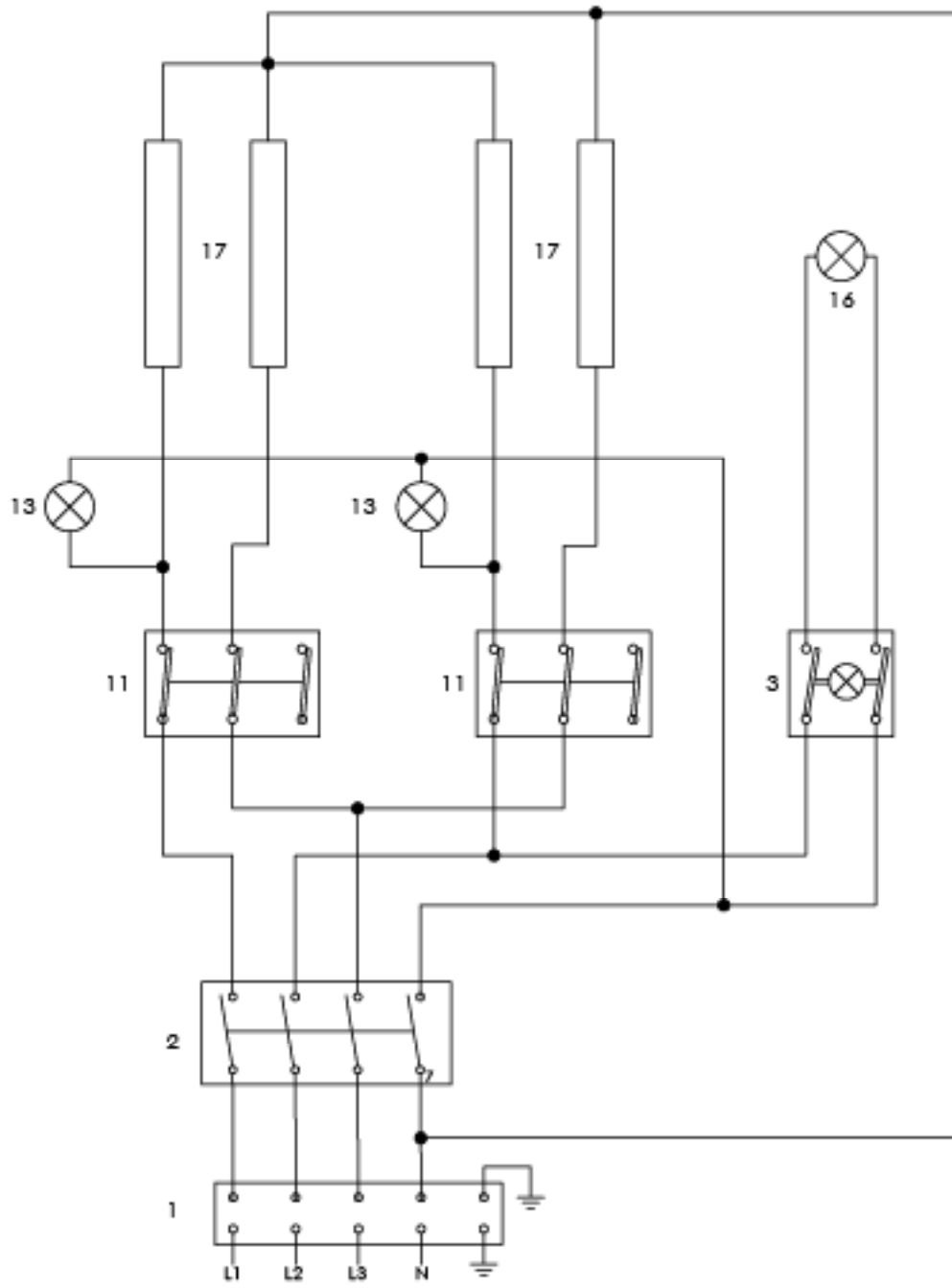
TYPE	A (CM)	B (CM)	C (CM)
E - 8	98	92	78
E - 12	98	127	75
E - 12 L	131	92	75
E - 18	131	127	75

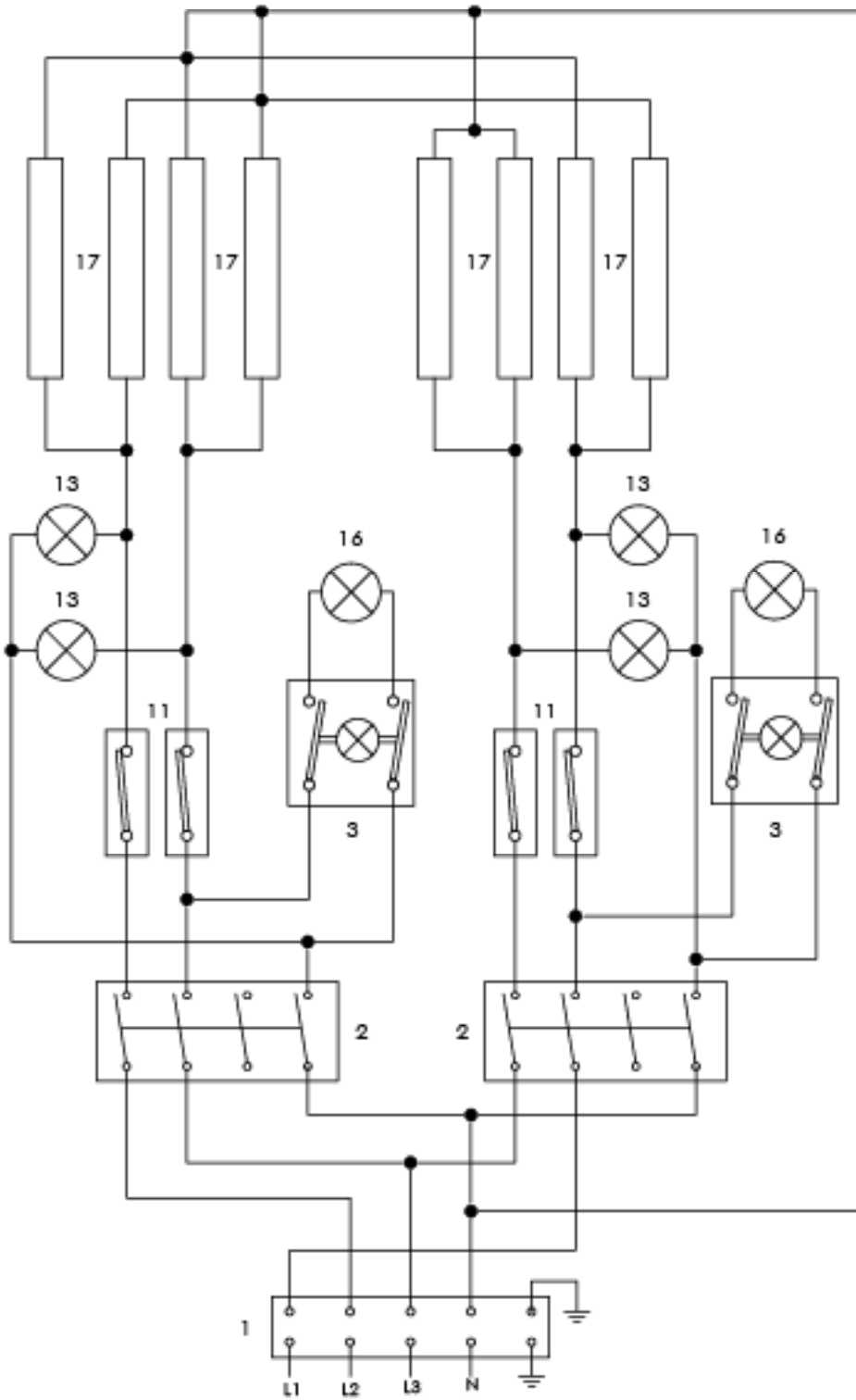
СХЕМА ПОДКЛЮЧЕНИЯ

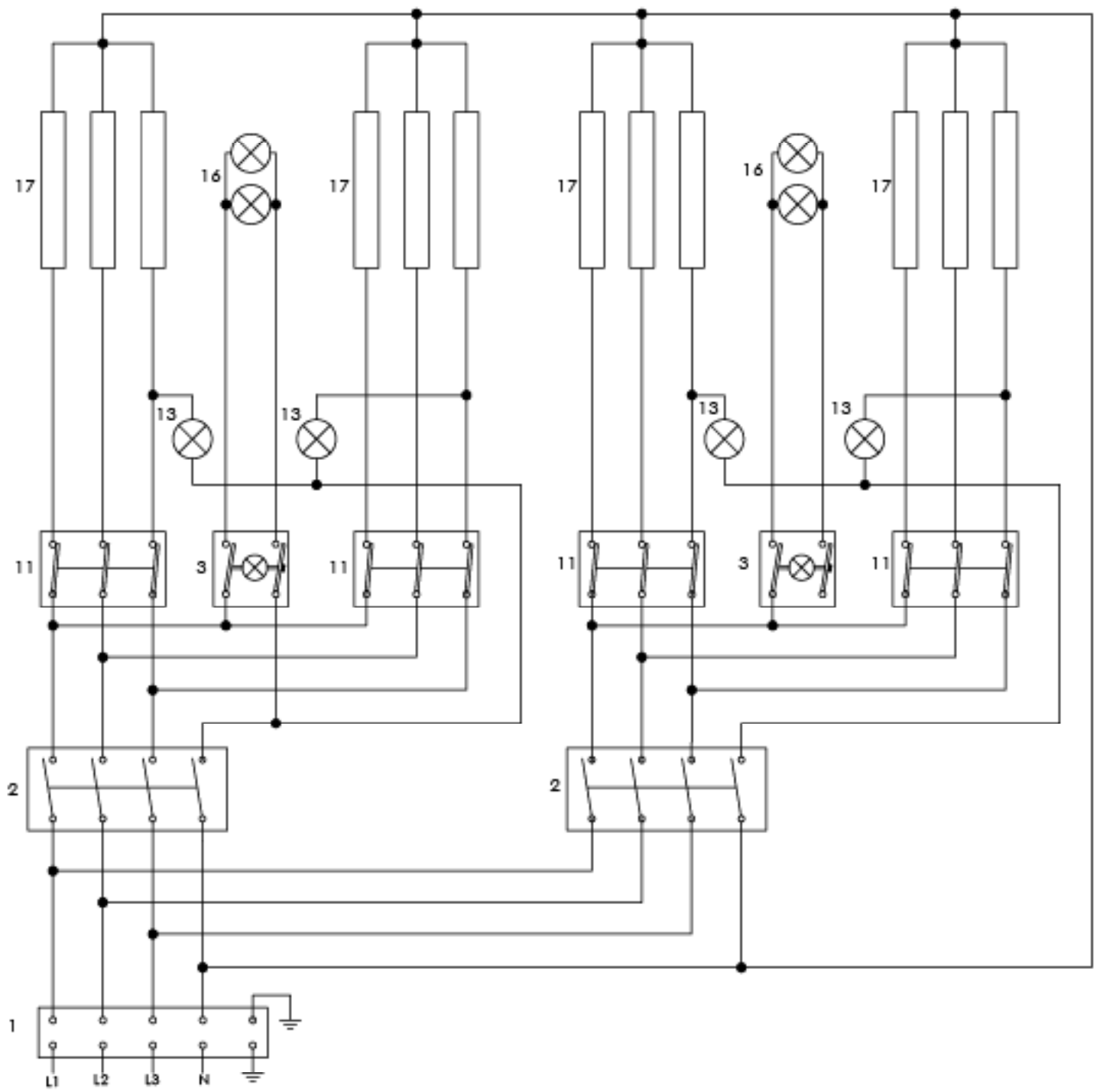




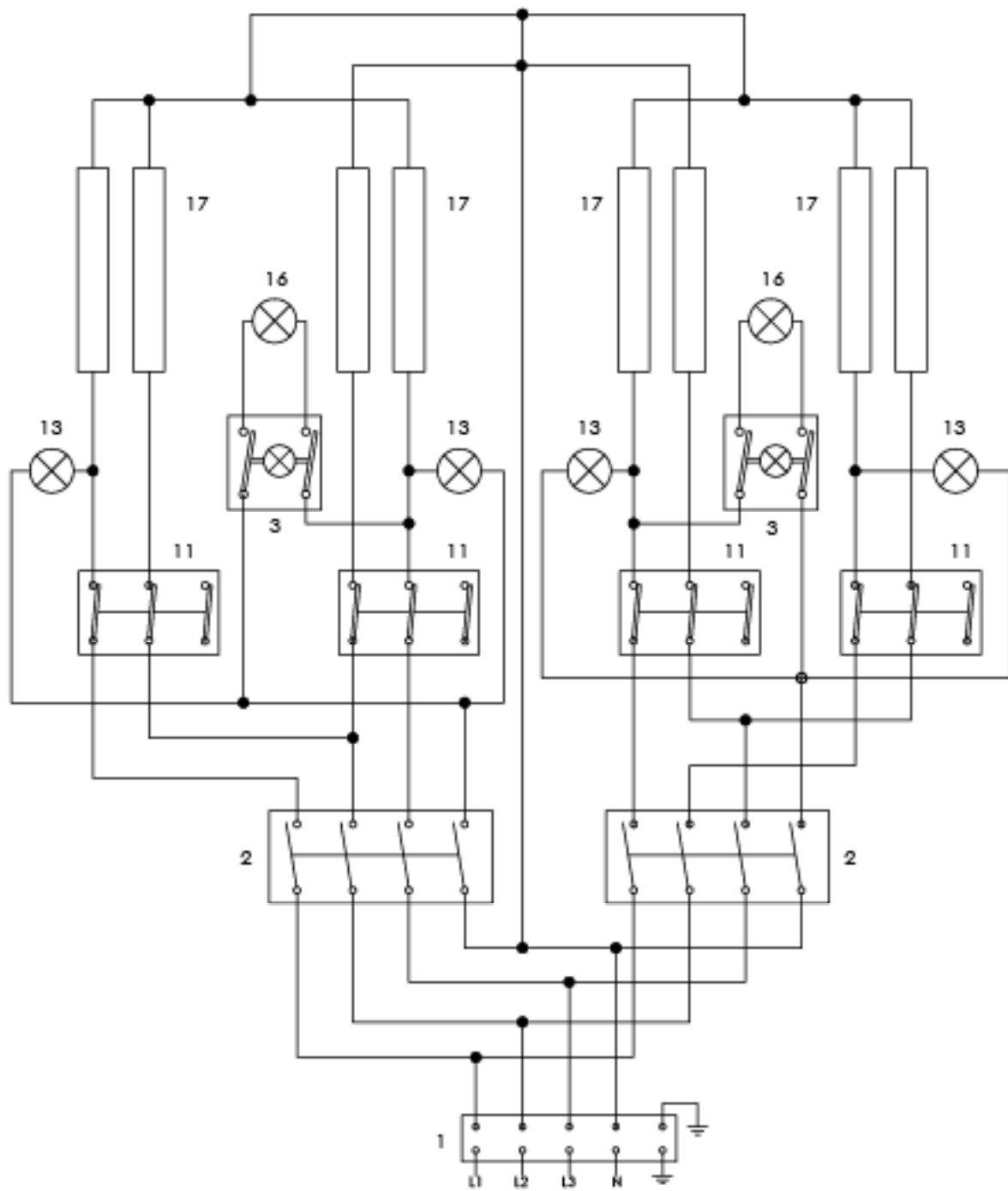
# E-6L





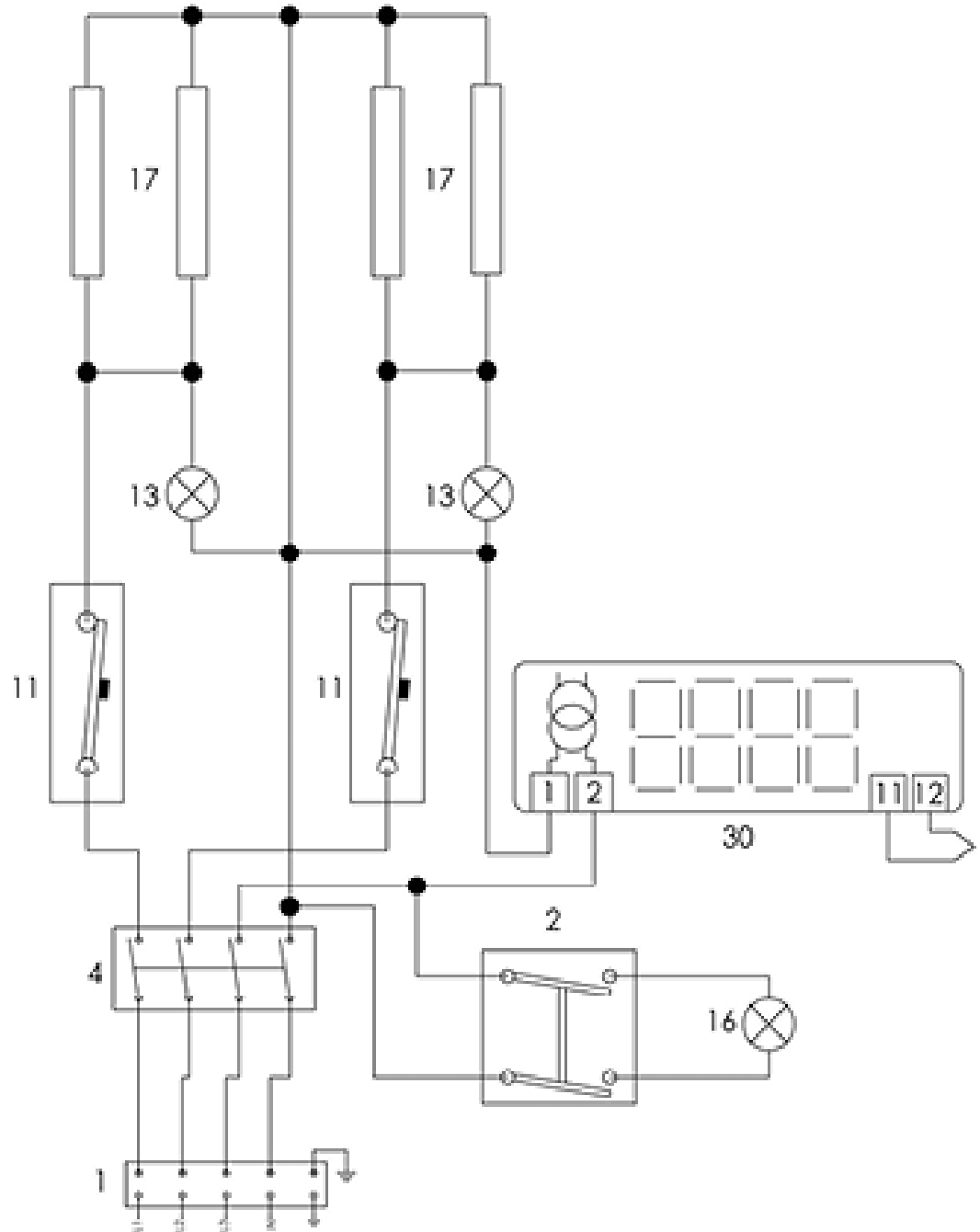


# E-12L

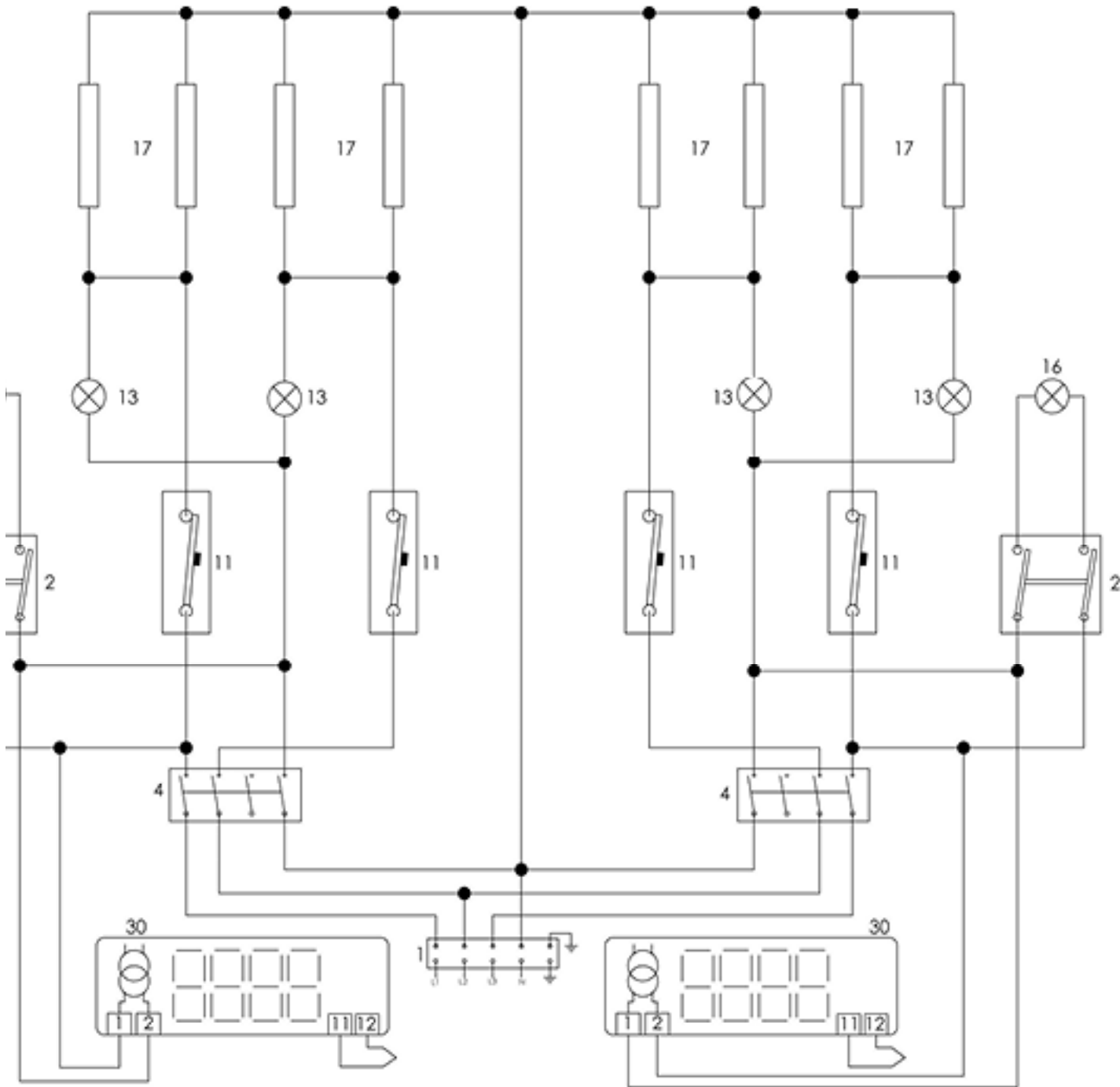




# E-4 - DIGITAL



# - DIGITAL



1	ТЕРМИНАЛ
2	ПЕРЕКЛЮЧАТЕЛЬ О / I
3	ВЫКЛЮЧАТЕЛЬ С ПОДСВЕТКОЙ О / I
4	ПЕРЕКЛЮЧАТЕЛЬ ПОВОРОТНЫЙ
5	КНОПОЧНЫЕ ПЕРЕКЛЮЧАТЕЛИ
6	КОНЕЧНОГО ВЫКЛЮЧАТЕЛЯ
7	MICROSWITCH
8	РЕЛЕ
9	КОНТАКТЫ РЕЛЕ
10	TIMER
11	РАБОЧИЙ ТЕРМОСТАТ
12	ЗАЩИТНЫЙ ТЕРМОСТАТ
13	ORANGE
14	ЗЕЛЕНый СВЕТ
15	ДИОД
16	ВНУТРЕННЕГО ОСВЕЩЕНИЯ
17	НАГРЕВАТЕЛЬНЫЙ ЭЛЕМЕНТ
18	ЭЛЕКТРИЧЕСКАЯ ПЛИТКА
19	ТРАНСФОРМАТОР
20	FUSE
20	RHEOSTAT
22	ТЕРМОПАРЫ
23	ДАТЧИК
24	МОТОР ПОДЪЕМА
25	MOTOR FANS
26	НАЧИНАЯ КОНДЕНСАТОР
27	SPARK PLUG
28	ГАЗОВЫЙ КЛАПАН (SIT)
29	SOCKET
30	ЦИФРОВОЙ ТЕРМОМЕТР
31	БЛОК УПРАВЛЕНИЯ

## List of service organizations:

**CZ: RM GASTRO CZ s. r. o.**, Náchodská 818/16, Praha 9

Tel. +420 281 926 604, [info@rmgastro.cz](mailto:info@rmgastro.cz), [www.rmgastro.cz](http://www.rmgastro.cz)

**SK: RM Gastro Slovakia**, Rybárska 1, Nové Město nad Váhom

Tel.: +421 32 7717061, [obchod@rmgastro.sk](mailto:obchod@rmgastro.sk), [www.rmgastro.sk](http://www.rmgastro.sk)

**PL: RM GASTRO Polska Sp. z o. o.**, ul. Skoczowska 94, 43-450 Ustroń

Tel.: +33 854 73 26, [www.rmgastro.pl](http://www.rmgastro.pl)